

PLEASE CHECK WWW.MOLEX.COM FOR LATEST PART INFORMATION

Part Number: [0211000014](#)
Status: **Active**
Overview: [premo flex](#)
Description: 2.54mm (.100") FFC Jumper, 10 Circuits, 152.40m (500.0') Length

Documents:

[Drawing \(PDF\)](#) [RoHS Certificate of Compliance \(PDF\)](#)

General

Product Family	Cable
Series	21100
Crimp Quality Equipment	Yes
Geographic Area	Americas
Overview	premo flex
Product Name	Premo-Flex™ FFC Jumper

Physical

Cable Length	152.40m (500.0')
Circuits (Loaded)	N/A
Circuits (maximum)	10
Packaging Type	Bag
Pitch - Term. Interface (in)	0.000 In
Pitch - Term. Interface (mm)	0.00 mm
Temperature Range - Operating	N/A
Wire Size AWG	N/A
Wire/Cable Type	Flat Flex Cable

Electrical

Current - Maximum per Contact	N/A
Voltage - Maximum	N/A

Solder Process Data

Duration at Max. Process Temperature (seconds)	30
Max. Cycles at Max. Process Temperature	1
Process Temperature max. C	250

Material Info

Reference - Drawing Numbers

Sales Drawing	21100-0014
---------------	------------

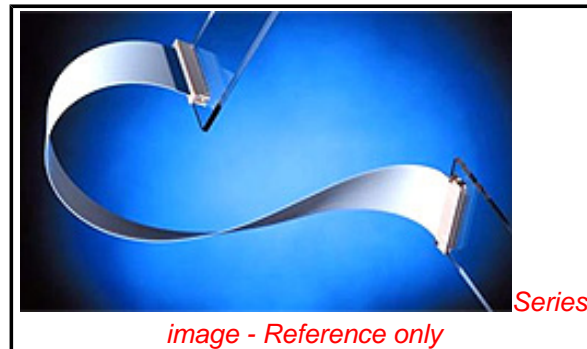
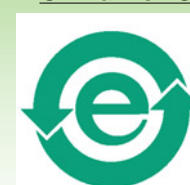


image - Reference only

EU RoHS

**ELV and RoHS
Compliant**
REACH SVHC
 Not Reviewed
**Halogen-Free
Status**
 Not Reviewed

China RoHS



**Need more information on product
environmental compliance?**

Email productcompliance@molex.com
 For a multiple part number RoHS Certificate of
 Compliance, [click here](#)

Please visit the [Contact Us](#) section for any
 non-product compliance questions.

Search Parts in this Series

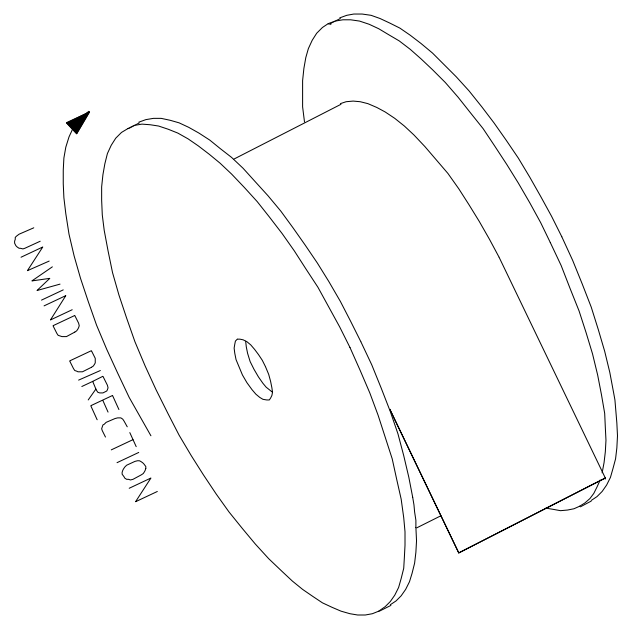
[21100Series](#)

Use With

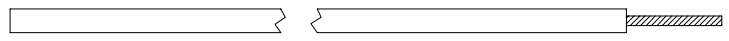
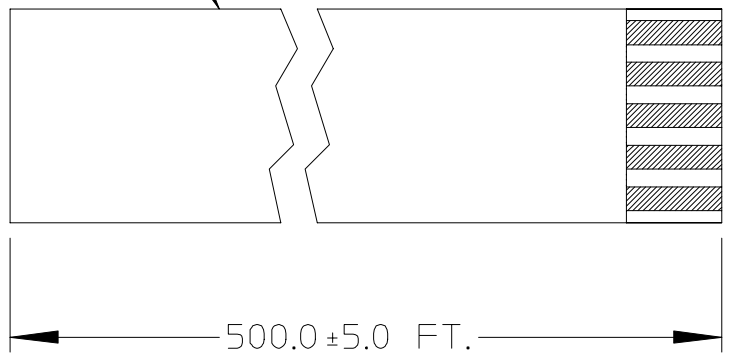
Any 2.54mm (.100") Pitch Molex FFC/FPC
 connector, Custom specific developed FFC
 connectors

21100

ITEM	DESCRIPTION	P/N	QTY	CKT. SIZE	TEMP. RATING
①	CABLE	21100-0014	500 FT.	10	L



①



NOTE:

1. NO PRINTING TO BE ALLOWED ON CABLE.

REF. PRODUCT SPEC. NO. SMPS-21100

EC NO: UAU2004-0293 DRWN: DDEMO 2004/03/15 CHK: TPREMO APPR: GPRATT 2004/03/15	QUALITY SYMBOLS ▽ = 0 ∇ = 0	GENERAL TOLERANCES (UNLESS SPECIFIED)		SCALE 1:1	DESIGN UNITS INCH	THIRD ANGLE PROJECTION	REVISE ON CAD ONLY		
			mm	INCH	DIMENSION STYLE IN/MM		TITLE		
		4 PLACES	± ---	± ---	DRAWN BY	DATE	2.54MM FFC JUMPER CABLE TYPE "REEL 500 FT." PDR UAU-001192-00-00		
		3 PLACES	± ---	± .005	DDEMO	03/10/17			
2 PLACES	± 0.13	± .010	CHECKED BY	DATE	MOLEX INCORPORATED				
1 PLACE	± 0.25	± ---	TPREMO	03/11/07					
DRAFT WHERE APPLICABLE MUST REMAIN WITHIN DIMENSIONS		ANGULAR ± 1/2 °		APPROVED BY	DATE	MATERIAL NO.	DOCUMENT NO.	SHEET NO.	
				RMACK	03/11/07	211000014	21100-0014	1 OF 1	
THIS DRAWING CONTAINS INFORMATION THAT IS PROPRIETARY TO MOLEX INCORPORATED AND SHOULD NOT BE USED WITHOUT WRITTEN PERMISSION									

