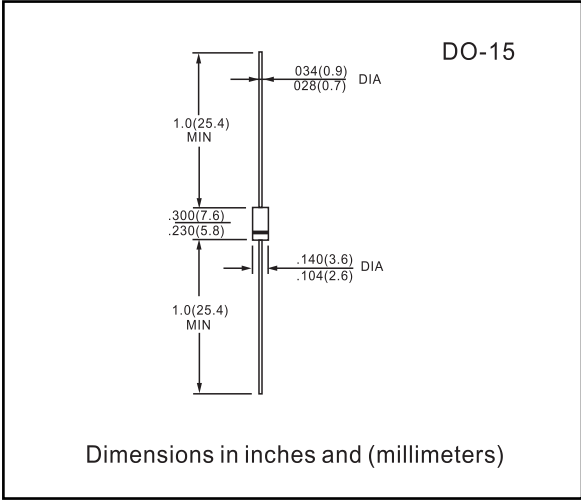




**FEATURES**

- Average Forward Current
- Repetitive Peak Reverse Voltage
- Very Fast Reverse-Recovery Time



**MAXIMUM RATINGS AND ELECTRICAL CHARACTERISTICS**

MAXIMUM RATINGS

CHARACTERISTIC	SYMBOL	RATING	UNIT
Repetitive Peak Reverse Voltage	$V_{RRM}$	1000	V
Average Forward Current	$I_{F(AV)}$	1.5	A
Peak One Cycle Surge Forward Current(Non-Repetitive)	$I_{FSM}$	60(50Hz)	A
		66(60Hz)	
Junction Temperature	$T_j$	-40~150	°C
Storage Temperature Range	$T_{stg}$	-40~150	°C

ELECTRICAL CHARACTERISTICS

CHARACTERISTIC	SYMBOL	TEST CONDITION	MIN	TYPE	MAX	UNIT
Peak Forward Voltage	$V_{FM}$	$I_{FM} = 2.0A$	—	—	3.0	V
Repetitive Peak Reverse Current	$I_{RRM}$	$V_{RRM} = \text{Rated}$	—	—	100	uA
Reverse Recovery Time	$t_{rr}$	$I_F = 1A, di/dt = -30A/us$	—	—	100	ns
Forward Recovery Time	$t_{fr}$	$I_F = 1A$	—	300	—	ns
Thermal Resistance	$R_{th(j-a)}$	Junction to Ambient	—	—	58	°C/W
Thermal Resistance	$R_{th(j-l)}$	Junction to Lead	—	—	30	°C/W



**TESTING AND CHARACTERISTIC CURVES 1R5NU41**

