

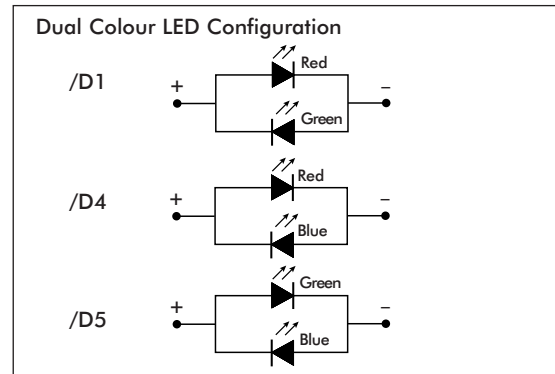
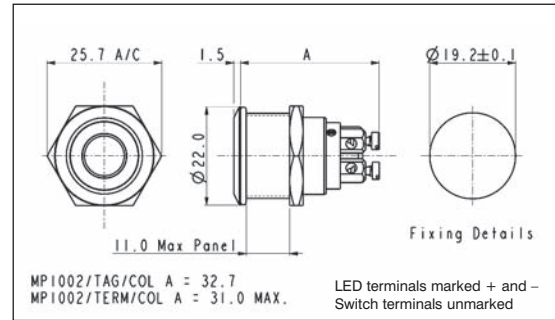
Stainless Steel Illuminated Vandal Resistant

FRONT PANEL MOUNTING



MPI002- front panel seal to IP66

- Ring illumination
- 22mm diameter
- Single pole push to make
- 50mA, 24Vdc contact rating
- Red, Green, Amber, Blue, White or dual colour illumination
- Bright daylight LEDs
- Independent LED terminals
- Front panel seal to IP66
- Integral supply resistors
- TVS protection



Specification	MPI002/Termination/Colour/Voltage
Illumination style:	Ring
Terminations:	/28 (2.8mm tabs), /TERM or /TE (screw terminals)
Switching:	Single pole, push to make, tactile (momentary action)
Max. Switch Rating:	50mA, 24Vdc
LEDs (ratings @ 20mA)	
Part No.	/RD    /GN    /AM    /BL    /WH    /D1    /D4    /D5
Colours	Red    Green    Amber    Blue    White    Red/Green    Red/Blue    Green/Blue
Luminous Intensity	900mcd    2500mcd    900mcd    1500mcd    900mcd    2500mcd/5000mcd    2000mcd/850mcd    4000mcd/2000mcd
Forward Voltage	1.85V    3.5V    2.3V    3.5V    3.6V    2.05V/3.6V    2.0V/3.6V    3.6V/3.6V
Forward Current	20mA    20mA    20mA    20mA    20mA    20mA    20mA    20mA
Moulding Colour	Red    Green    Amber    Blue    White    Black    Black    Black
Illumination Voltage:	/no suffix    No resistor fitted. <b>An appropriate resistor must be series connected by the user.</b> Voltages as above. /6    6Vdc /12    12Vdc /24    24Vdc
Contact Resistance:	< 100mΩ
Insulation Resistance:	> 10 <sup>3</sup> MΩ
Dielectric Strength:	Contact to Panel >2.0kV Contact to Contact 1500V
Operating Temp. Range:	-30°C to +70°C
Sealing (Front of panel only):	Protection Classification: IP66 EN60529 1992
Operations	
Mechanical:	750,000 (min)
Electrical:	35,000 (min)
Operating Pressure:	12N
Rear Nut Fixing Torque:	0.57Nm
Materials	
Switch assembly:	UL94V-0 rated Polyamide (Nylon)
Tags:	Copper Alloy
Terminals:	Copper Alloy
Switch Body & Button:	Stainless Steel
Lens and Lens Body:	Polycarbonate
O ring:	Nitrile
Internal seal:	Silicone
Contact Plate:	Gold Plated
Thread size:	18.97mm x 26TPI
	ESD Handling precautions must be taken
	Compliant

