

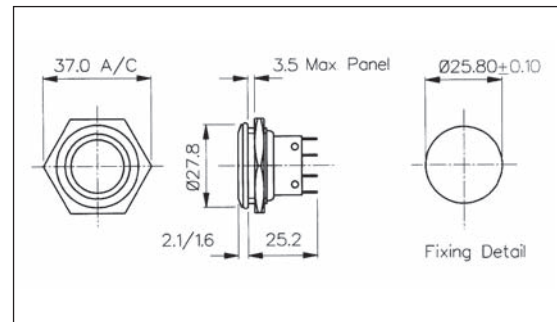
Low Profile Brass Chrome Plated Vandal Resistant

FRONT PANEL MOUNTING



MPB038
Sealed to IP66

- Front Panel Sealed to IP66
- 28mm diameter
- S.P.C.O. Microswitch
- 5A, 250Vac

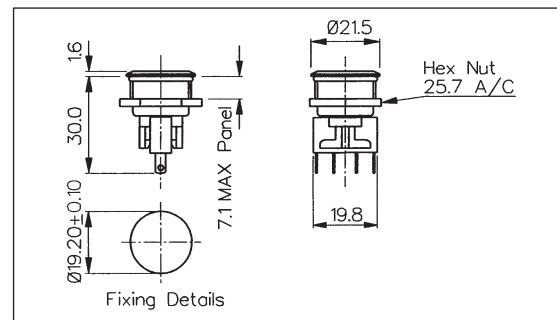


FRONT PANEL MOUNTING



MPB031
Sealed to IP66

- Front Panel Sealed to IP66
- 21mm diameter
- S.P.C.O. Microswitch
- 5A, 250Vac

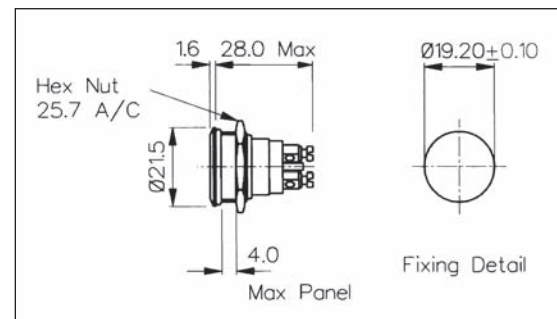


FRONT PANEL MOUNTING



MPB037
Sealed to IP68

- Front Panel Sealed to IP68
- 21.5mm diameter
- S.P. Push to Make
- 1A, 50Vac/dc



| Specification | MPB038 | MPB031 | MPB037 |
|--------------------------------|--|--|---|
| Terminations: | Solder Tags | Solder Tags | Screw Terminals |
| Switching: | S.P.C.O. Momentary Action (Microswitch) | S.P.C.O. Momentary Action (Microswitch) | S.P. Push to make Momentary action |
| Max. Rating: | 5A, 250Vac. 2A, 28Vdc | 5A, 250Vac 2A, 28Vdc | 1A, 50Vac/dc |
| Contact Resistance: | <10mΩ | <10mΩ | <10mΩ |
| Insulation Resistance: | >10 ³ MΩ. | >10 ³ MΩ | >10 ⁵ MΩ |
| Dielectric Strength: | >2.0kVac | >2.0kVac | >1.0kVac |
| Operating Temp. Range: | -20°C to +70°C | -20°C to +70°C | -20°C to +70°C |
| Sealing (Front of panel only): | Protection Classification: IP66 EN60529 1992 (Micro switch not sealed) | Protection Classification: IP66 EN60529 1992 (Micro switch not sealed) | Protection Classification: IP68 EN60529 1992 (Terminals not sealed) |
| Operations | | | |
| Mechanical: | 1,000,000 (min) | 1,000,000 (min) | 1,000,000 (min) |
| Electrical: | 35,000 (min) | 35,000 (min) | 30,000 (min) |
| Operating Pressure: | 12.5N (typ) | 4.7N (typ) | 7.5N (typ) |
| Rear Nut Fixing Torque: | 1.13Nm | 0.57Nm | 0.57Nm |
| Materials | | | |
| Mouldings: | Glass Filled Nylon | Glass Filled Nylon | Glass Filled Nylon |
| Tags/Terminations: | Brass, Tin Plated | Brass, Tin Plated | Brass, Silver Plated |
| Switch Body & Button: | Brass, Chrome Plated | Brass, Chrome Plated | Brass, Chrome Plated |
| Contacts: | Fine Silver | Fine Silver | Brass, Silver Plated, Silver |
| Thread size: | 1.0" x 26TPI | 0.747" x 26TPI | 0.747" x 26TPI |
| RoHS | Compliant | Compliant | Compliant |