

16-Bit 8-/16-Channel $\Delta\Sigma$ ADC with Easy Drive Input Current Cancellation

FEATURES

- Up to 8 Differential or 16 Single-Ended Inputs
- Easy Drive Technology Enables Rail-to-Rail Inputs with Zero Differential Input Current
- Directly Digitizes High Impedance Sensors with Full Accuracy
- 600nV RMS Noise (0.02 LSB Transition Noise)
- GND to V_{CC} Input/Reference Common Mode Range
- Simultaneous 50Hz/60Hz Rejection
- 2ppm INL, No Missing Codes
- 1ppm Offset and 15ppm Full-Scale Error
- No Latency: Digital Filter Settles in a Single Cycle, Even After a New Channel is Selected
- Single Supply 2.7V to 5.5V Operation (0.8mW)
- Internal Oscillator
- QFN 5mm × 7mm Package

APPLICATIONS

- Direct Sensor Digitizer
- Direct Temperature Measurement
- Instrumentation
- Industrial Process Control

DESCRIPTION

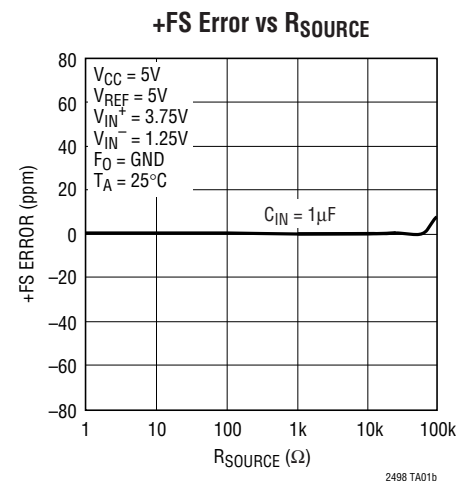
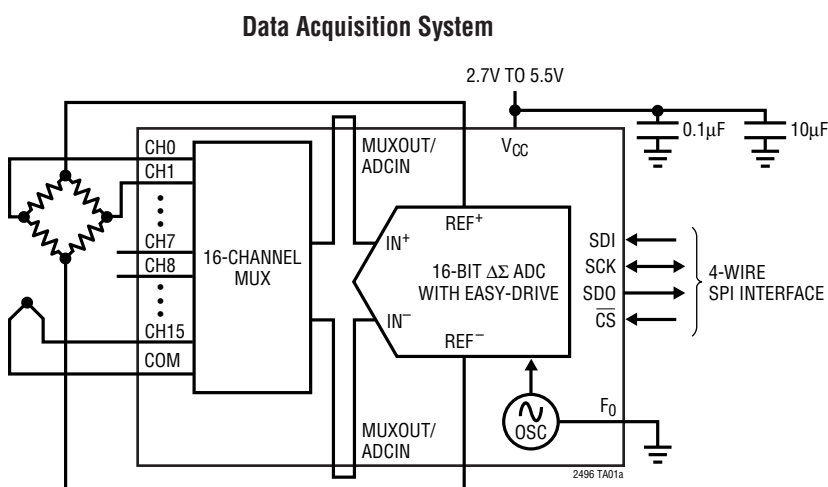
The LTC[®]2496 is a 16-channel (8-differential) 16-bit No Latency $\Delta\Sigma$ ™ ADC with Easy Drive™ technology. The patented sampling scheme eliminates dynamic input current errors and the shortcomings of on-chip buffering through automatic cancellation of differential input current. This allows large external source impedances, and rail-to-rail input signals to be directly digitized while maintaining exceptional DC accuracy.

The LTC2496 includes an integrated oscillator. This device can be configured to measure an external signal (from combinations of 16 analog input channels operating in single ended or differential modes). It automatically rejects line frequencies of 50Hz and 60Hz, simultaneously.

The LTC2496 allows a wide common mode input range (0V to V_{CC}), independent of the reference voltage. Any combination of single-ended or differential inputs can be selected and the first conversion after a new channel is selected is valid. Access to the multiplexer output enables optional external amplifiers to be shared between all analog inputs and auto calibration continuously removes their associated offset and drift.

LT, LTC and LTM are registered trademarks of Linear Technology Corporation. All other trademarks are the property of their respective owners.

TYPICAL APPLICATION



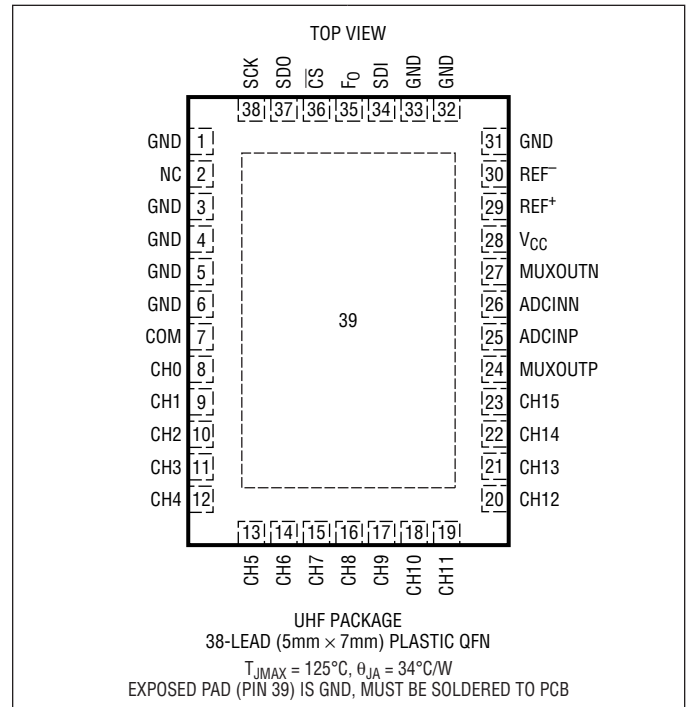
2496fa

ABSOLUTE MAXIMUM RATINGS

(Notes 1, 2)

| | |
|--|------------------------------|
| Supply Voltage (V_{CC}) | -0.3V to 6V |
| Analog Input Voltage (CH0 to CH15, COM) | -0.3V to ($V_{CC} + 0.3V$) |
| Reference Input Voltage | -0.3V to ($V_{CC} + 0.3V$) |
| ADCINN, ADCINP, MUXOUTP, MUXOUTN | -0.3V to ($V_{CC} + 0.3V$) |
| Digital Input Voltage..... | -0.3V to ($V_{CC} + 0.3V$) |
| Digital Output Voltage | -0.3V to ($V_{CC} + 0.3V$) |
| Operating Temperature Range | |
| LTC2496C | 0°C to 70°C |
| LTC2496I | -40°C to 85°C |
| Storage Temperature Range..... | -65°C to 150°C |

PACKAGE/ORDER INFORMATION



| | |
|---|-------------------|
| ORDER PART NUMBER | QFN PART MARKING* |
| LTC2496CUHF | 2496 |
| LTC2496IUHF | 2496 |
| Order Options Tape and Reel: Add #TR Lead Free: Add #PBF Lead Free Tape and Reel: Add #TRPBF Lead Free Part Marking: http://www.linear.com/leadfree/ | |

Consult LTC Marketing for parts specified with wider operating temperature ranges.
*The temperature grade is identified by a label on the shipping container.

ELECTRICAL CHARACTERISTICS

The ● denotes the specifications which apply over the full operating temperature range, otherwise specifications are at $T_A = 25^\circ\text{C}$. (Notes 3, 4)

| PARAMETER | CONDITIONS | MIN | TYP | MAX | UNITS |
|---------------------------------|---|-----|----------------|-----|--|
| Resolution (No Missing Codes) | $0.1V \leq V_{REF} \leq V_{CC}$, $-FS \leq V_{IN} \leq +FS$ (Note 5) | 16 | | | Bits |
| Integral Nonlinearity | $5V \leq V_{CC} \leq 5.5V$, $V_{REF} = 5V$, $V_{IN(CM)} = 2.5V$ (Note 6) $2.7V \leq V_{CC} \leq 5.5V$, $V_{REF} = 2.5V$, $V_{IN(CM)} = 1.25V$ (Note 6) | ● | 2 1 | 20 | ppm of V_{REF} ppm of V_{REF} |
| Offset Error | $2.5V \leq V_{REF} \leq V_{CC}$, $GND \leq IN^+ = IN^- \leq V_{CC}$ (Note 14) | ● | 0.5 | 5 | μV |
| Offset Error Drift | $2.5V \leq V_{REF} \leq V_{CC}$, $GND \leq IN^+ = IN^- \leq V_{CC}$ | | 10 | | $\text{nV}/^\circ\text{C}$ |
| Positive Full-Scale Error | $2.5V \leq V_{REF} \leq V_{CC}$, $IN^+ = 0.75V_{REF}$, $IN^- = 0.25V_{REF}$ | ● | | 32 | ppm of V_{REF} |
| Positive Full-Scale Error Drift | $2.5V \leq V_{REF} \leq V_{CC}$, $IN^+ = 0.75V_{REF}$, $IN^- = 0.25V_{REF}$ | | 0.1 | | ppm of $V_{REF}/^\circ\text{C}$ |
| Negative Full-Scale Error | $2.5V \leq V_{REF} \leq V_{CC}$, $IN^+ = 0.25V_{REF}$, $IN^- = 0.75V_{REF}$ | ● | | 32 | ppm of V_{REF} |
| Negative Full-Scale Error Drift | $2.5V \leq V_{REF} \leq V_{CC}$, $IN^+ = 0.25V_{REF}$, $IN^- = 0.75V_{REF}$ | | 0.1 | | ppm of $V_{REF}/^\circ\text{C}$ |
| Total Unadjusted Error | $5V \leq V_{CC} \leq 5.5V$, $V_{REF} = 2.5V$, $V_{IN(CM)} = 1.25V$ $5V \leq V_{CC} \leq 5.5V$, $V_{REF} = 5V$, $V_{IN(CM)} = 2.5V$ $2.7V \leq V_{CC} \leq 5.5V$, $V_{REF} = 2.5V$, $V_{IN(CM)} = 1.25V$ | | 15 15 15 | | ppm of V_{REF} ppm of V_{REF} ppm of V_{REF} |
| Output Noise | $5.5V \leq V_{CC} \leq 2.7V$, $2.5V \leq V_{REF} \leq V_{CC}$, $GND \leq IN^+ = IN^- \leq V_{CC}$ (Note 13) | | 0.6 | | μV_{RMS} |

2496fa

CONVERTER CHARACTERISTICS

The ● denotes the specifications which apply over the full operating temperature range, otherwise specifications are at $T_A = 25^\circ\text{C}$. (Note 3)

| PARAMETER | CONDITIONS | | MIN | TYP | MAX | UNITS |
|---|---|---|-----|-----|-----|-------|
| Input Common Mode Rejection DC | $2.5V \leq V_{REF} \leq V_{CC}$, $GND \leq IN^+ = IN^- \leq V_{CC}$ (Note 5) | ● | 140 | | | dB |
| Input Common Mode Rejection 60Hz $\pm 2\%$ | $2.5V \leq V_{REF} \leq V_{CC}$, $GND \leq IN^+ = IN^- \leq V_{CC}$ (Note 5) | ● | 140 | | | dB |
| Input Common Mode Rejection 50Hz $\pm 2\%$ | $2.5V \leq V_{REF} \leq V_{CC}$, $GND \leq IN^+ = IN^- \leq V_{CC}$ (Note 5) | ● | 140 | | | dB |
| Input Normal Mode Rejection 50Hz $\pm 2\%$ | $2.5V \leq V_{REF} \leq V_{CC}$, $GND \leq IN^+ = IN^- \leq V_{CC}$ (Notes 5, 7) | ● | 110 | 120 | | dB |
| Input Normal Mode Rejection 60Hz $\pm 2\%$ | $2.5V \leq V_{REF} \leq V_{CC}$, $GND \leq IN^+ = IN^- \leq V_{CC}$ (Notes 5, 8) | ● | 110 | 120 | | dB |
| Input Normal Mode Rejection 50Hz/60Hz $\pm 2\%$ | $2.5V \leq V_{REF} \leq V_{CC}$, $GND \leq IN^+ = IN^- \leq V_{CC}$ (Notes 5, 9) | ● | 87 | | | dB |
| Reference Common Mode Rejection DC | $2.5V \leq V_{REF} \leq V_{CC}$, $GND \leq IN^+ = IN^- \leq V_{CC}$ (Note 5) | ● | 120 | 140 | | dB |
| Power Supply Rejection DC | $V_{REF} = 2.5V$, $IN^+ = IN^- = GND$ | | | 120 | | dB |
| Power Supply Rejection, 50Hz $\pm 2\%$ | $V_{REF} = 2.5V$, $IN^+ = IN^- = GND$ (Notes 7, 9) | | | 120 | | dB |
| Power Supply Rejection, 60Hz $\pm 2\%$ | $V_{REF} = 2.5V$, $IN^+ = IN^- = GND$ (Notes 8, 9) | | | 120 | | dB |

ANALOG INPUT AND REFERENCE

The ● denotes the specifications which apply over the full operating temperature range, otherwise specifications are at $T_A = 25^\circ\text{C}$. (Note 3)

| SYMBOL | PARAMETER | CONDITIONS | | MIN | TYP | MAX | UNITS |
|-----------------------|---|----------------------------------|---|---------------|-----|-----------------|-------|
| IN^+ | Absolute/Common Mode IN^+ Voltage (IN^+ Corresponds to the Selected Positive Input Channel) | | | $GND - 0.3V$ | | $V_{CC} + 0.3V$ | V |
| IN^- | Absolute/Common Mode IN^- Voltage (IN^- Corresponds to the Selected Positive Input Channel) | | | $GND - 0.3V$ | | $V_{CC} + 0.3V$ | V |
| V_{IN} | Input Differential Voltage Range ($IN^+ - IN^-$) | | ● | -FS | | +FS | V |
| FS | Full Scale of the Differential Input ($IN^+ - IN^-$) | | ● | $0.5 V_{REF}$ | | | V |
| LSB | Least Significant Bit of the Output Code | | ● | $FS/2^{16}$ | | | |
| REF^+ | Absolute/Common Mode REF^+ Voltage | | ● | 0.1 | | V_{CC} | V |
| REF^- | Absolute/Common Mode REF^- Voltage | | ● | GND | | $REF^+ - 0.1V$ | V |
| V_{REF} | Reference Voltage Range ($REF^+ - REF^-$) | | ● | 0.1 | | V_{CC} | V |
| $CS(IN^+)$ | IN^+ Sampling Capacitance | | | | 11 | | pF |
| $CS(IN^-)$ | IN^- Sampling Capacitance | | | | 11 | | pF |
| $CS(V_{REF})$ | V_{REF} Sampling Capacitance | | | | 11 | | pF |
| $I_{DC_LEAK}(IN^+)$ | IN^+ DC Leakage Current | Sleep Mode, $IN^+ = GND$ | ● | -10 | 1 | 10 | nA |
| $I_{DC_LEAK}(IN^-)$ | IN^- DC Leakage Current | Sleep Mode, $IN^- = GND$ | ● | -10 | 1 | 10 | nA |
| $I_{DC_LEAK}(REF^+)$ | REF^+ DC Leakage Current | Sleep Mode, $REF^+ = V_{CC}$ | ● | -100 | 1 | 100 | nA |
| $I_{DC_LEAK}(REF^-)$ | REF^- DC Leakage Current | Sleep Mode, $REF^- = GND$ | ● | -100 | 1 | 100 | nA |
| t_{OPEN} | MUX Break-Before-Make | | | | 50 | | ns |
| QIRR | MUX Off Isolation | $V_{IN} = 2V_{P-P}$ DC to 1.8MHz | | | 120 | | dB |

DIGITAL INPUTS AND DIGITAL OUTPUTS

The ● denotes the specifications which apply over the full operating temperature range, otherwise specifications are at $T_A = 25^\circ\text{C}$. (Note 3)

| SYMBOL | PARAMETER | CONDITIONS | MIN | TYP | MAX | UNITS |
|----------|---|---|------------------|-----|-----|---------------|
| V_{IH} | High Level Input Voltage (\overline{CS} , F_0 , SDI) | $2.7V \leq V_{CC} \leq 5.5V$ | ● $V_{CC} - 0.5$ | | | V |
| V_{IL} | Low Level Input Voltage (\overline{CS} , F_0 , SDI) | $2.7V \leq V_{CC} \leq 5.5V$ | ● | | 0.5 | V |
| V_{IH} | High Level Input Voltage (SCK) | $2.7V \leq V_{CC} \leq 5.5V$ (Notes 10, 15) | ● $V_{CC} - 0.5$ | | | V |
| V_{IL} | Low Level Input Voltage (SCK) | $2.7V \leq V_{CC} \leq 5.5V$ (Notes 10, 15) | ● | | 0.5 | V |
| I_{IN} | Digital Input Current (\overline{CS} , F_0 , SDI) | $0V \leq V_{IN} \leq V_{CC}$ | ● -10 | | 10 | μA |
| I_{IN} | Digital Input Current (SCK) | $0V \leq V_{IN} \leq V_{CC}$ (Notes 10, 15) | ● -10 | | 10 | μA |
| C_{IN} | Digital Input Capacitance (\overline{CS} , F_0 , SDI) | | | 10 | | pF |
| C_{IN} | Digital Input Capacitance (SCK) | (Notes 10, 17) | | 10 | | pF |
| V_{OH} | High Level Output Voltage (SDO) | $I_O = -800\mu\text{A}$ | ● $V_{CC} - 0.5$ | | | V |
| V_{OL} | Low Level Output Voltage (SDO) | $I_O = 1.6\text{mA}$ | ● | | 0.4 | V |
| V_{OH} | High Level Output Voltage (SCK) | $I_O = -800\mu\text{A}$ (Notes 10, 17) | ● $V_{CC} - 0.5$ | | | V |
| V_{OL} | Low Level Output Voltage (SCK) | $I_O = 1.6\text{mA}$ (Notes 10, 17) | ● | | 0.4 | V |
| I_{OZ} | Hi-Z Output Leakage (SDO) | | ● -10 | | 10 | μA |

POWER REQUIREMENTS

The ● denotes the specifications which apply over the full operating temperature range, otherwise specifications are at $T_A = 25^\circ\text{C}$. (Note 3)

| SYMBOL | PARAMETER | CONDITIONS | MIN | TYP | MAX | UNITS |
|----------|----------------|------------------------------|-------|-----|-----|---------------|
| V_{CC} | Supply Voltage | | ● 2.7 | | 5.5 | V |
| I_{CC} | Supply Current | Conversion Current (Note 12) | ● | 160 | 275 | μA |
| | | Sleep Mode (Note 12) | ● | 1 | 2 | μA |

DIGITAL INPUTS AND DIGITAL OUTPUTS

The ● denotes the specifications which apply over the full operating temperature range, otherwise specifications are at $T_A = 25^\circ\text{C}$. (Note 3)

| SYMBOL | PARAMETER | CONDITIONS | MIN | TYP | MAX | UNITS |
|------------------|--------------------------------------|---|---------|-------------------------------------|-------|---------------|
| f_{EOSC} | External Oscillator Frequency Range | (Note 16) | ● 10 | | 4000 | kHz |
| t_{HEO} | External Oscillator High Period | | ● 0.125 | | 100 | μs |
| t_{LEO} | External Oscillator Low Period | | ● 0.125 | | 100 | μs |
| t_{CONV} | Conversion Time | Simultaneous 50/60Hz External Oscillator | ● 144.1 | 146.9 41036/ f_{EOSC} (in kHz) | 149.9 | ms ms |
| f_{ISCK} | Internal SCK Frequency | Internal Oscillator (Note 10) External Oscillator (Notes 10, 11) | | 38.4 $f_{EOSC} / 8$ | | kHz kHz |
| D_{ISCK} | Internal SCK Duty Cycle | (Note 10) | ● 45 | | 55 | % |
| f_{ESCK} | External SCK Frequency Range | (Note 10) | ● | | 4000 | kHz |
| t_{LESCK} | External SCK Low Period | (Note 10) | ● 125 | | | ns |
| t_{HESCK} | External SCK High Period | (Note 10) | ● 125 | | | ns |
| t_{DOUT_ISCK} | Internal SCK 24-Bit Data Output Time | Internal Oscillator External Oscillator | ● 0.61 | 0.625 192/ f_{EOSC} (in kHz) | 0.64 | ms ms |
| t_{DOUT_ESCK} | External SCK 24-Bit Data Output Time | (Note 10) | | 24/ f_{ESCK} (in kHz) | | ms |

DIGITAL INPUTS AND DIGITAL OUTPUTS

The ● denotes the specifications which apply over the full operating temperature range, otherwise specifications are at $T_A = 25^\circ\text{C}$. (Note 3)

| SYMBOL | PARAMETER | CONDITIONS | | MIN | TYP | MAX | UNITS |
|--------------------|---|-------------------|---|-----|-----|-----|-------|
| t_1 | $\overline{\text{CS}} \downarrow$ to SDO Low | | ● | 0 | | 200 | ns |
| t_2 | $\overline{\text{CS}} \uparrow$ to SDO High Z | | ● | 0 | | 200 | ns |
| t_3 | $\overline{\text{CS}} \downarrow$ to SCK \downarrow | Internal SCK Mode | ● | 0 | | 200 | ns |
| t_4 | $\overline{\text{CS}} \downarrow$ to SCK \uparrow | External SCK Mode | ● | 50 | | | ns |
| t_{KQMAX} | SCK \downarrow to SDO Valid | | ● | | | 200 | ns |
| t_{KQMIN} | SDO Hold After SCK \downarrow | (Note 5) | ● | 15 | | | ns |
| t_5 | SCK Set-Up Before $\overline{\text{CS}} \downarrow$ | | ● | 50 | | | ns |
| t_6 | SCK Hold After $\overline{\text{CS}} \downarrow$ | | ● | | | 50 | ns |
| t_7 | SDI Setup Before SCK \uparrow | (Note 5) | ● | 100 | | | ns |
| t_8 | SDI Hold After SCK \uparrow | (Note 5) | ● | 100 | | | ns |

Note 1: Stresses beyond those listed under Absolute Maximum Ratings may cause permanent damage to the device. Exposure to any Absolute Maximum Rating condition for extended periods may affect device reliability and lifetime.

Note 2: All voltage values are with respect to GND.

Note 3: $V_{\text{CC}} = 2.7\text{V}$ to 5.5V unless otherwise specified.

$$V_{\text{REFCM}} = V_{\text{REF}}/2, \text{FS} = 0.5V_{\text{REF}}$$

$V_{\text{IN}} = \text{IN}^+ - \text{IN}^-$, $V_{\text{IN(CM)}} = (\text{IN}^+ + \text{IN}^-)/2$, where IN^+ and IN^- are the selected input channels

Note 4: Use internal conversion clock or external conversion clock source with $f_{\text{EOSC}} = 307.2\text{kHz}$ unless other wise specified.

Note 5: Guaranteed by design, not subject to test.

Note 6: Integral nonlinearity is defined as the deviation of a code from a straight line passing through the actual endpoints of the transfer curve. The deviation is measured from the center of the quantization band.

Note 7: $f_{\text{EOSC}} = 256\text{kHz} \pm 2\%$ (external oscillator).

Note 8: $f_{\text{EOSC}} = 307.2\text{kHz} \pm 2\%$ (external oscillator).

Note 9: Simultaneous 50Hz/60Hz (internal oscillator) or $f_{\text{EOSC}} = 280\text{kHz} \pm 2\%$ (external oscillator).

Note 10: The SCK can be configured in external SCK mode or internal SCK mode. In external SCK mode, the SCK pin is used as a digital input and the driving clock is f_{ESCK} . In the internal SCK mode, the SCK pin is used as a digital output and the output clock signal during the data output is f_{ISCK} .

Note 11: The external oscillator is connected to the F_0 pin. The external oscillator frequency, f_{EOSC} , is expressed in kHz.

Note 12: The converter uses its internal oscillator.

Note 13: The output noise includes the contribution of the internal calibration operations.

Note 14: Guaranteed by design and test correlation.

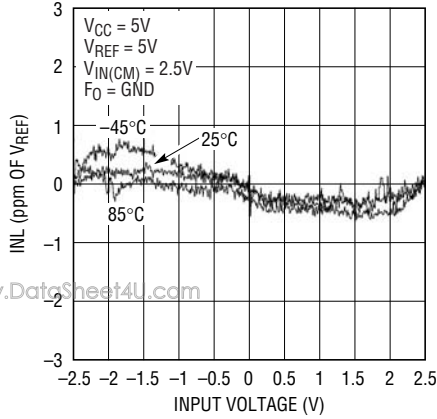
Note 15: The converter is in external SCK mode of operation such that the SCK pin is used as a digital input. The frequency of the clock signal driving SCK during the data output is f_{ESCK} and is expressed in Hz.

Note 16: Refer to Applications Information section for performance vs data rate graphs.

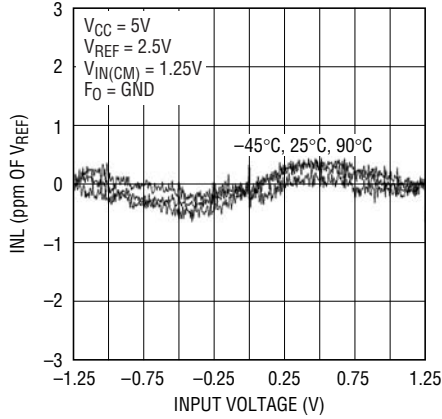
Note 17: The converter is in internal SCK mode of operation such that the SCK pin is used as a digital output.

TYPICAL PERFORMANCE CHARACTERISTICS

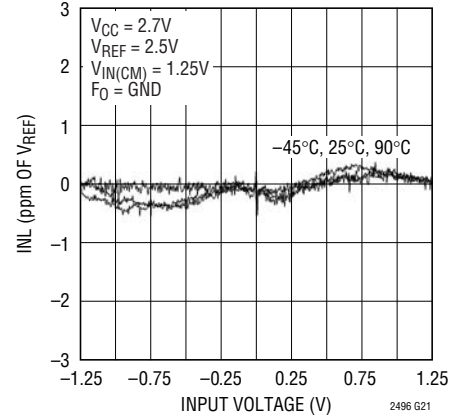
Integral Nonlinearity
($V_{CC} = 5V, V_{REF} = 5V$)



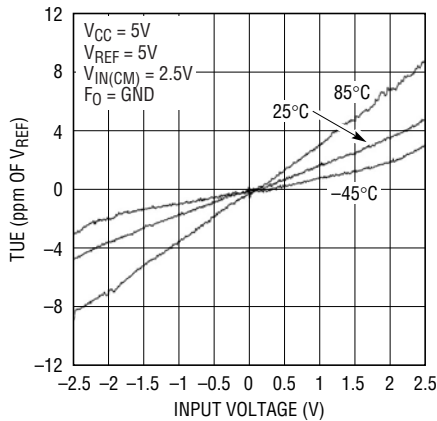
Integral Nonlinearity
($V_{CC} = 5V, V_{REF} = 2.5V$)



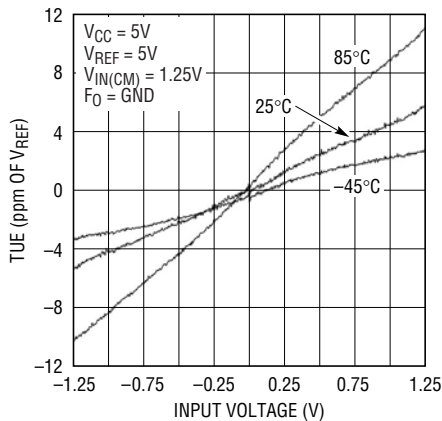
Integral Nonlinearity
($V_{CC} = 2.7V, V_{REF} = 2.5V$)



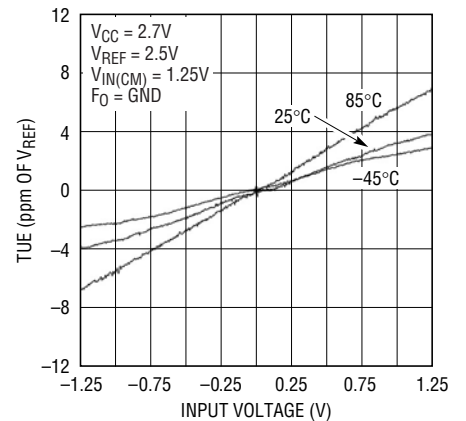
Total Unadjusted Error
($V_{CC} = 5V, V_{REF} = 5V$)



Total Unadjusted Error
($V_{CC} = 5V, V_{REF} = 2.5V$)

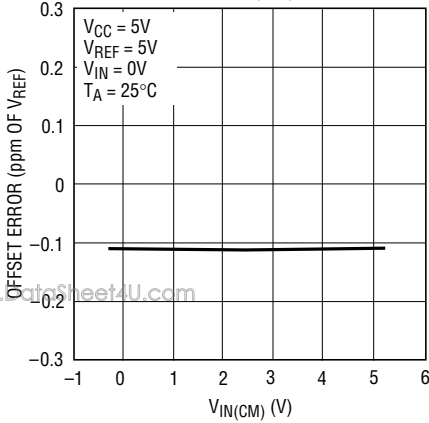


Total Unadjusted Error
($V_{CC} = 2.7V, V_{REF} = 2.5V$)



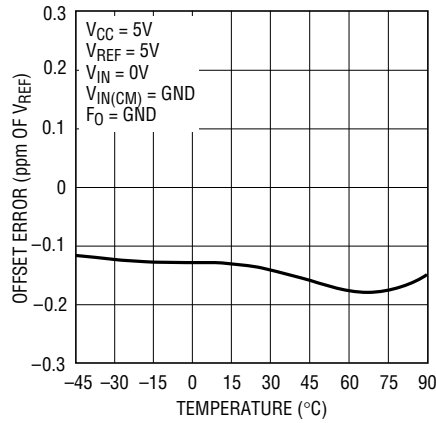
TYPICAL PERFORMANCE CHARACTERISTICS

Offset Error vs $V_{IN(CM)}$



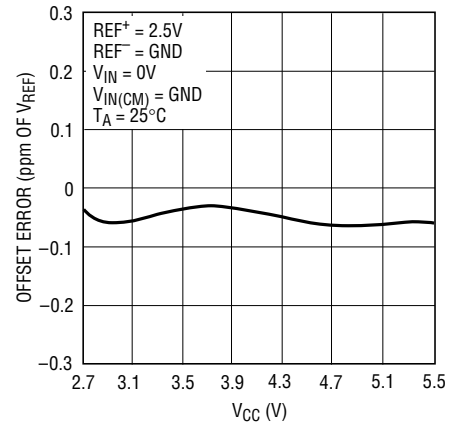
2496 G25

Offset Error vs Temperature



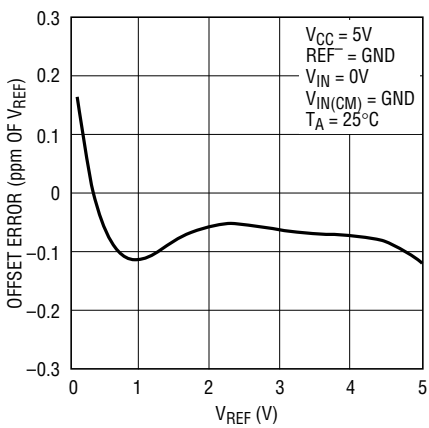
2496 G26

Offset Error vs V_{CC}



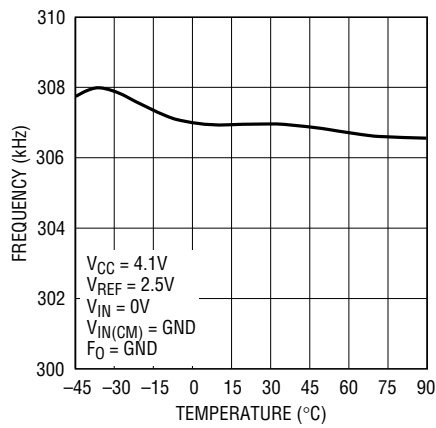
2496 G27

Offset Error vs V_{REF}



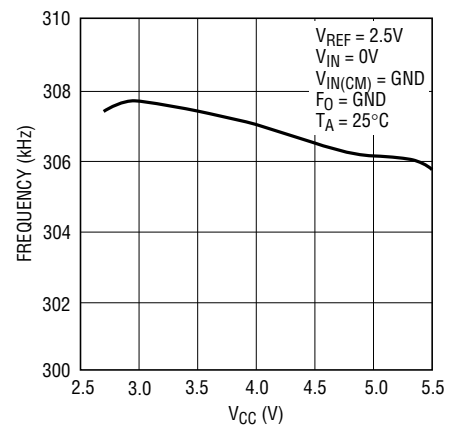
2496 G28

On-Chip Oscillator Frequency vs Temperature



2496 G29

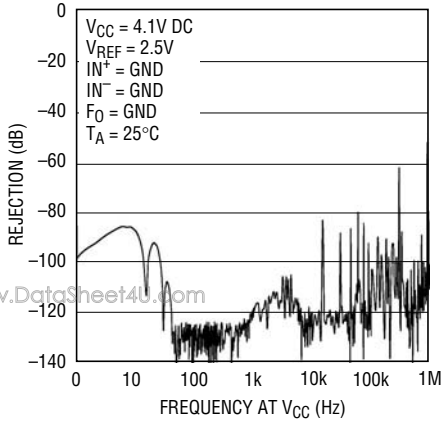
On-Chip Oscillator Frequency vs V_{CC}



2496 G30

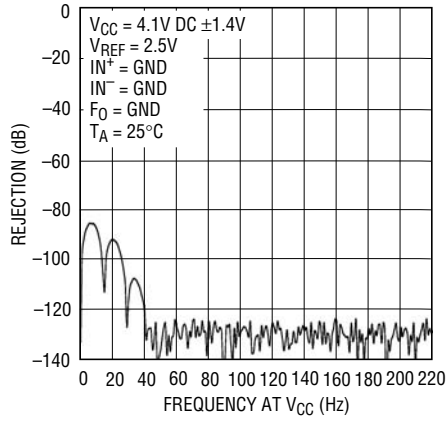
TYPICAL PERFORMANCE CHARACTERISTICS

PSRR vs Frequency at V_{CC}



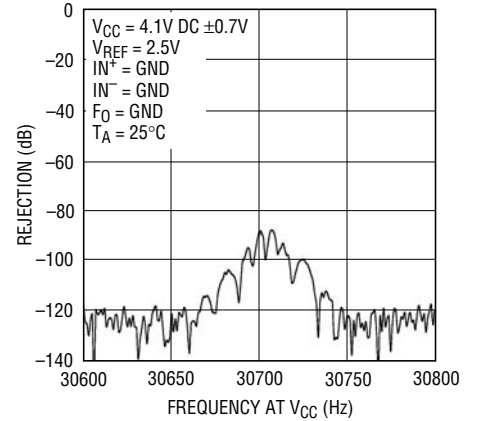
2496 G31

PSRR vs Frequency at V_{CC}



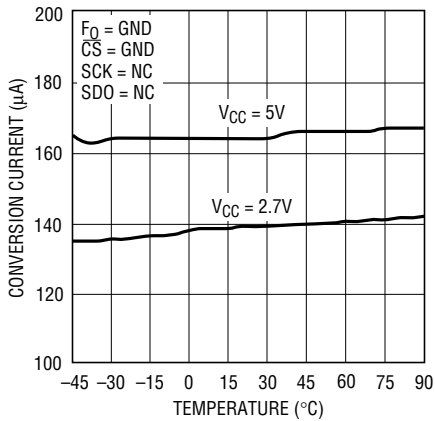
2496 G32

PSRR vs Frequency at V_{CC}



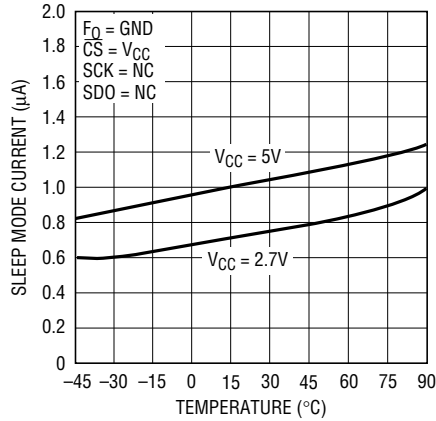
2496 G33

Conversion Current vs Temperature



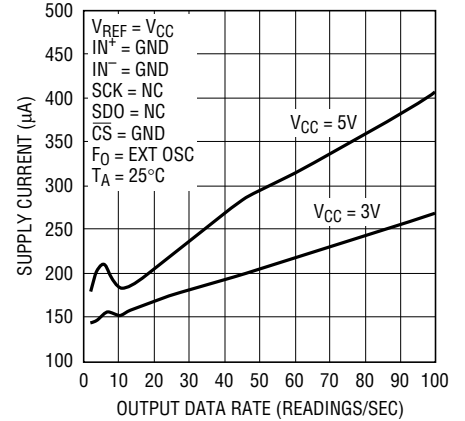
2496 G34

Sleep Mode Current vs Temperature



2496 G35

Conversion Current vs Data Output Rate



2496 G36

PIN FUNCTIONS

GND (Pins 1, 3, 4, 5, 6, 31, 32, 33): Ground. Multiple ground pins internally connected for optimum ground current flow and V_{CC} decoupling. Connect each one of these pins to a common ground plane through a low impedance connection. All 8 pins must be connected to ground for proper operation.

NC (Pin 2): No Connection, this pin can be left floating or tied to GND.

COM (Pin 7): The common negative input (IN^-) for all single-ended multiplexer configurations. The voltage on CH0 to CH15 and COM pins can have any value between $GND - 0.3V$ to $V_{CC} + 0.3V$. Within these limits, the two selected inputs (IN^+ and IN^-) provide a bipolar input range ($V_{IN} = IN^+ - IN^-$) from $-0.5 \cdot V_{REF}$ to $0.5 \cdot V_{REF}$. Outside this input range, the converter produces unique over-range and under-range output codes.

CH0 to CH15 (Pins 8 to 23): Analog Inputs. May be programmed for single-ended or differential mode.

MUXOUTP (Pin 24): Positive Multiplexer Output. Used to drive an external buffer/amplifier or can be shorted directly to ADCINP.

ADCINP (Pin 25): Positive ADC Input. Tie to the output of a buffer/amplifier driven by MUXOUTP or short directly to MUXOUTP.

ADCINN (Pin 26): Negative ADC Input. Tie to the output of a buffer/amplifier driven by MUXOUTN or short directly to MUXOUTN.

MUXOUTN (Pin 27): Negative Multiplexer Output. Used to drive an external buffer/amplifier or can be shorted directly to ADCINN.

V_{CC} (Pin 28): Positive Supply Voltage. Bypass to GND with a $10\mu F$ tantalum capacitor in parallel with a $0.1\mu F$ ceramic capacitor as close to the part as possible.

REF⁺ (Pin 29), REF⁻ (Pin 30): Differential Reference Input. The voltage on these pins can have any value between GND and V_{CC} as long as the reference positive input, REF⁺, remains more positive than the negative reference input, REF⁻, by at least 0.1V. The differential voltage ($REF = REF^+ - REF^-$) sets the full-scale range for all input channels.

SDI (Pin 34): Serial Data Input. This pin is used to select the input channel. The serial data input is applied under control of the serial clock (SCK) during the data output operation. The first conversion following a new input is valid.

F₀ (Pin 35): Frequency Control Pin. Digital input that controls the internal conversion clock rate. When F₀ is connected to V_{CC} or GND, the converter uses its internal oscillator running at 307.2kHz. The conversion clock may also be overridden by driving the F₀ pin with an external clock in order to change the output rate and the digital filter rejection null.

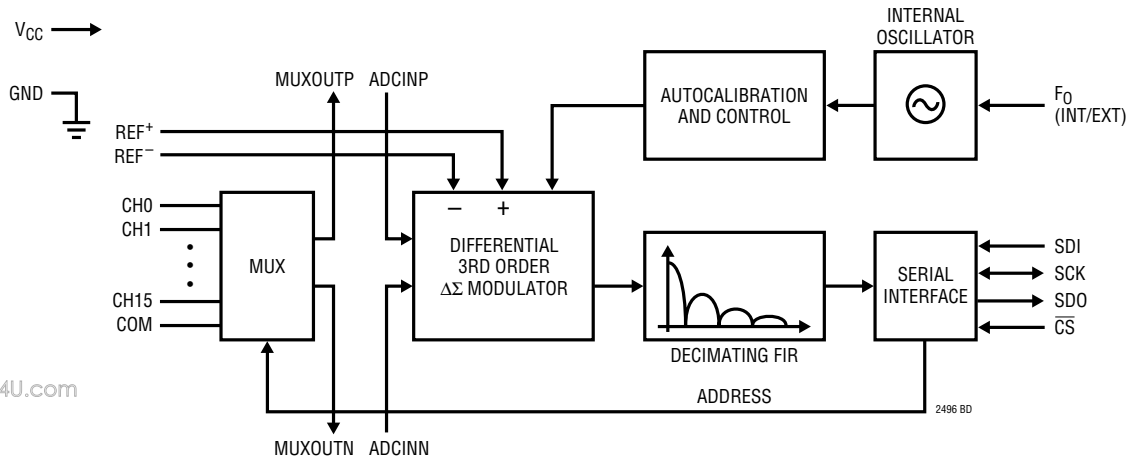
\overline{CS} (Pin 36): Active LOW Chip Select. A LOW on this pin enables the digital input/output and wakes up the ADC. Following each conversion, the ADC automatically enters the Sleep mode and remains in this low power state as long as \overline{CS} is HIGH. A LOW-to-HIGH transition on \overline{CS} during the Data Output aborts the data transfer and starts a new conversion.

SDO (Pin 37): Three-State Digital Output. During the data output period, this pin is used as the serial data output. When the chip select pin is HIGH, the SDO pin is in a high impedance state. During the conversion and sleep periods, this pin is used as the conversion status output. When the conversion is in progress this pin is HIGH; once the conversion is complete SDO goes low. The conversion status is monitored by pulling \overline{CS} LOW.

SCK (Pin 38): Bidirectional, Digital I/O, Clock Pin. In Internal Serial Clock Operation mode, SCK is generated internally and is seen as an output on the SCK pin. In External Serial Clock Operation mode, the digital I/O clock is externally applied to the SCK pin. The Serial Clock operation mode is determined by the logic level applied to the SCK pin at power up and during the most recent falling edge of \overline{CS} .

Exposed Pad (Pin 39): Ground. This pin is ground and must be soldered to the PCB ground plane. For prototyping purposes, this pin may remain floating.

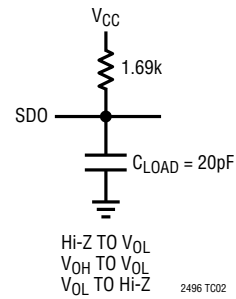
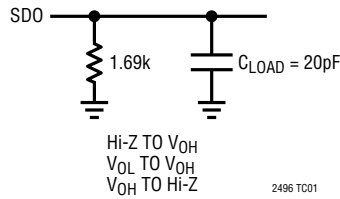
FUNCTIONAL BLOCK DIAGRAM



www.DataSheet4U.com

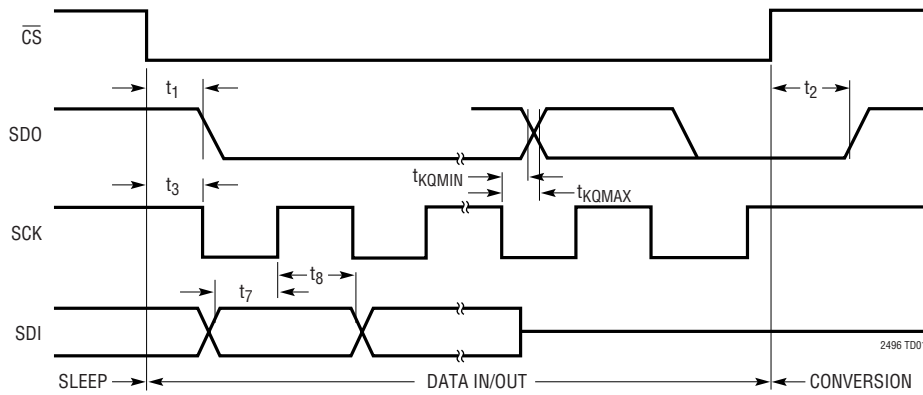
Figure 1. Functional Block Diagram

TEST CIRCUITS



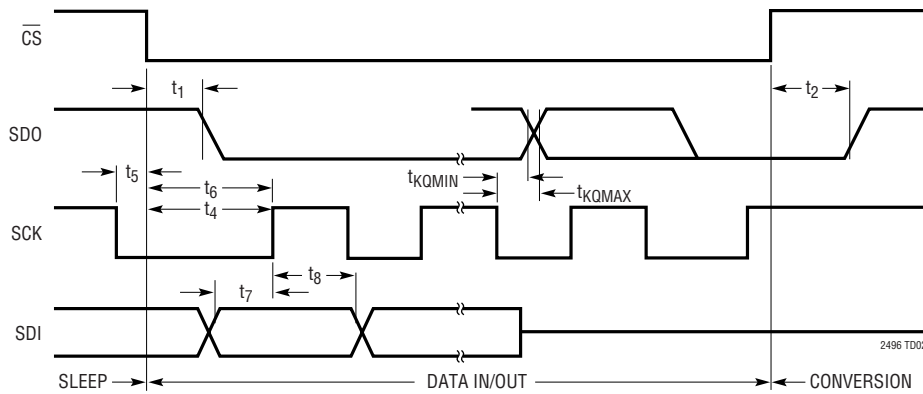
TIMING DIAGRAMS

Timing Diagram Using Internal SCK (SCK HIGH with $\overline{CS}\downarrow$)



www.DataSheet4U.com

Timing Diagram Using External SCK (SCK LOW with $\overline{CS}\downarrow$)



APPLICATIONS INFORMATION

CONVERTER OPERATION

Converter Operation Cycle

The LTC2496 is a multi-channel, low power, delta-sigma analog-to-digital converter with an easy to use 4-wire interface and automatic differential input current cancellation. Its operation is made up of three states (See Figure 2). The converter operating cycle begins with the conversion, followed by the sleep state and ends with the data input/output cycle. The 4-wire interface consists of serial data output (SDO), serial clock (SCK), chip select (\overline{CS}) and serial data input (SDI). The interface, timing, operation cycle, and data output format is compatible with Linear's entire family of $\Delta\Sigma$ converters.

Initially, at power up, the LTC2496 performs a conversion. Once the conversion is complete, the device enters the sleep state. While in this sleep state, if \overline{CS} is HIGH, power consumption is reduced by two orders of magnitude. The part remains in the sleep state as long as \overline{CS} is HIGH. The conversion result is held indefinitely in a static shift register while the part is in the sleep state.

Once \overline{CS} is pulled LOW, the device powers up, exits the sleep mode, and enters the data input/output state. If \overline{CS} is brought HIGH before the first rising edge of SCK, the device returns to the sleep state and the power is reduced.

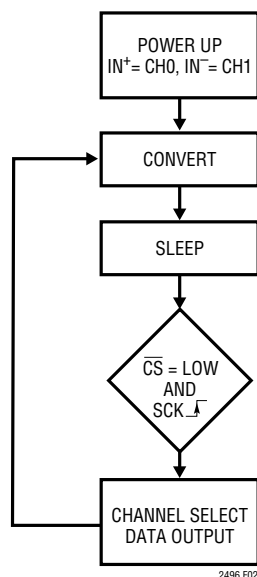


Figure 2. LTC2496 State Transition Diagram

If \overline{CS} is brought HIGH after the first rising edge of SCK, the data output cycle is aborted and a new conversion cycle begins. The data output corresponds to the conversion just completed. This result is shifted out on the serial data output pin (SDO) under the control of the serial clock pin (SCK). Data is updated on the falling edge of SCK allowing the user to reliably latch data on the rising edge of SCK (See Figure 3). The channel selection data for the next conversion is also loaded into the device at this time. Data is loaded from the serial data input pin (SDI) on each rising edge of SCK. The data input/output cycle is concluded once 24 bits are read out of the ADC or when \overline{CS} is brought HIGH. The device automatically initiates a new conversion and the cycle repeats.

Through timing control of the \overline{CS} and SCK pins, the LTC2496 offers several flexible modes of operation (internal or external SCK and free-running conversion modes). These various modes do not require programming and do not disturb the cyclic operation described above. These modes of operation are described in detail in the Serial Interface Timing Modes section.

Ease of Use

The LTC2496 data output has no latency, filter settling delay or redundant data associated with the conversion cycle. There is a one-to-one correspondence between the conversion and the output data. Therefore, multiplexing multiple analog inputs is straightforward. Each conversion, immediately following a newly selected input, is valid and accurate to the full specifications of the device.

The LTC2496 automatically performs offset and full scale calibration every conversion cycle independent of the input channel selected. This calibration is transparent to the user and has no effect with the operation cycle described above. The advantage of continuous calibration is extreme stability of offset and full-scale readings with respect to time, supply voltage variation, input channel, and temperature drift.

Easy Drive Input Current Cancellation

The LTC2496 combines a high precision delta-sigma ADC with an automatic, differential, input current cancellation

APPLICATIONS INFORMATION

front end. A proprietary front end passive sampling network transparently removes the differential input current. This enables external RC networks and high impedance sensors to directly interface to the LTC2496 without external amplifiers. The remaining common mode input current is eliminated by either balancing the differential input impedances or setting the common mode input equal to the common mode reference (see Automatic Differential Input Current Cancellation Section). This unique architecture does not require on-chip buffers thereby enabling signals to swing beyond ground or up to V_{CC} . Moreover, the cancellation does not interfere with the transparent offset and full-scale auto-calibration and the absolute accuracy (full-scale + offset + linearity + drift) is maintained even with external RC networks.

Power-Up Sequence

The LTC2496 automatically enters an internal reset state when the power supply voltage V_{CC} drops below approximately 2V. This feature guarantees the integrity of the conversion result, input channel selection, and serial clock mode.

When V_{CC} rises above this threshold, the converter creates an internal power-on-reset (POR) signal with a duration of approximately 4ms. The POR signal clears all internal registers. The conversion immediately following a POR cycle is performed on the input channel $IN^+ = CH0$, $IN^- = CH1$. The first conversion following a POR cycle is accurate within the specification of the device if the power supply voltage is restored to (2.7V to 5.5V) before the end of the POR interval. A new input channel, can be programmed into the device during this first data input/output cycle.

Reference Voltage Range

This converter accepts a truly differential external reference voltage. The absolute/common mode voltage range for REF^+ and REF^- pins covers the entire operating range of the device (GND to V_{CC}). For correct converter operation, V_{REF} must be positive ($REF^+ > REF^-$)

The LTC2496 differential reference input range is 0.1V to V_{CC} . For the simplest operation, REF^+ can be shorted

to V_{CC} and REF^- can be shorted to GND. The converter output noise is determined by the thermal noise of the front end circuits. Since the transition noise is well below 1LSB (0.02LSB), a decrease in reference voltage will proportionally improve the converter's effective resolution and improve the INL.

Input Voltage Range

The analog input is truly differential with an absolute, common mode range for $CH0$ to $CH15$ and COM input pins extending from $GND - 0.3V$ to $V_{CC} + 0.3V$. Outside these limits, the ESD protection devices begin to turn on and the errors due to input leakage current increase rapidly. Within these limits, the LTC2496 converts the bipolar differential input signal $V_{IN} = IN^+ + IN^-$ (where IN^+ and IN^- are the selected input channels), from $-FS = -0.5 \cdot V_{REF}$ to $+FS = 0.5 \cdot V_{REF}$ where $V_{REF} = REF^+ - REF^-$. Outside this range, the converter indicates the over range or the under range condition using distinct output codes.

Signals applied to the input ($CH0$ to $CH15$, COM) may extend 300mV below ground and above V_{CC} . In order to limit any fault current, resistors of up to 5k may be added in series with the input. The effect of series resistance on the converter accuracy can be evaluated from the curves presented in the Input Current/Reference Current sections. In addition, series resistors will introduce a temperature dependent error due to input leakage current. A 1nA input leakage current will develop a 1ppm offset error on a 5k resistor if $V_{REF} = 5V$. This error has a very strong temperature dependency.

MUXOUT/ADCIN

The output of the multiplexer (MUXOUT) and the input to the ADC (ADCIN) can be used to perform input signal conditioning on any of the selected input channels or simply shorted together for direct digitization. If an external amplifier is used, the LTC2496 automatically calibrates both the offset and drift of this circuit and the Easy Drive sampling scheme enables a wide variety of amplifiers to be used.

APPLICATIONS INFORMATION

In order to achieve optimum performance, if an external amplifier is not used, short these pins directly together (ADCINP to MUXOUTP and ADCINN to MUXOUTN) and minimize their capacitance to ground.

SERIAL INTERFACE PINS

The LTC2496 transmits the conversion result, reads the input channel selection, and receives a start of conversion command through a synchronous 3- or 4-wire interface. During the conversion and sleep states, this interface can be used to access the converter status. During the data output state, it is used to read the conversion result and program the input channel for the next conversion cycle.

Serial Clock Input/Output (SCK)

The serial clock pin (SCK) is used to synchronize the data input/output transfer. Each bit is shifted out of the SDO pin on the falling edge of SCK and data is shifted into the SDI pin on the rising edge of SCK.

The serial clock pin (SCK) can be configured as either a master (SCK is an output generated internally) or a slave (SCK is an input and applied externally). Master mode (Internal SCK) is selected by simply floating the SCK pin. Slave mode (External SCK) is selected by driving SCK low during power up and each falling edge of \overline{CS} . Specific details of these SCK modes are described in the Serial Interface Timing Modes section.

Serial Data Output (SDO)

The serial data output pin (SDO) provides the result of the last conversion as a serial bit stream (MSB first) during the data output state. In addition, the SDO pin is used as an end of conversion indicator during the conversion and sleep states.

When \overline{CS} is HIGH, the SDO driver is switched to a high impedance state in order to share the data output line with other devices. If \overline{CS} is brought LOW during the conversion phase, the \overline{EOC} bit (SDO pin) will be driven HIGH. Once the conversion is complete, if \overline{CS} is brought LOW \overline{EOC} will be driven LOW indicating the conversion is complete and the result is ready to be shifted out of the device.

Chip Select (\overline{CS})

The active low \overline{CS} pin is used to test the conversion status, enable I/O data transfer, initiate a new conversion, control the duration of the sleep state, and set the SCK mode.

At the conclusion of a conversion cycle, while \overline{CS} is HIGH, the device remains in a low power sleep state where the supply current is reduced several orders of magnitude. In order to exit the sleep state and enter the data output state, \overline{CS} must be pulled low. Data is now shifted out the SDO pin under control of the SCK pin as described previously.

A new conversion cycle is initiated either at the conclusion of the data output cycle (all 24 data bits read) or by pulling \overline{CS} HIGH any time between the first and 24th rising edges of the serial clock (SCK). In this case, the data output is aborted and a new conversion begins.

Serial Data Input (SDI)

The serial data input (SDI) is used to select the input channel. Data is shifted into the device during the data output/input state on the rising edge of SCK while \overline{CS} is low.

OUTPUT DATA FORMAT

The LTC2496 serial output stream is 24 bits long. The first bit indicates the conversion status, the second bit is always zero, and the third bit conveys sign information. The next 17 bits are the conversion result, MSB first. The remaining 4 bits are always LOW.

Bit 23 (first output bit) is the end of conversion (\overline{EOC}) indicator. This bit is available on the SDO pin during the conversion and sleep states whenever \overline{CS} is LOW. This bit is HIGH during the conversion cycle, goes LOW once the conversion is complete, and is HIGH-Z when \overline{CS} is HIGH.

Bit 22 (second output bit) is a dummy bit (DMY) and is always LOW.

Bit 21 (third output bit) is the conversion result sign indicator (SIG). If the selected input ($V_{IN} = IN^+ - IN^-$) is greater than 0V, this bit is HIGH. If $V_{IN} < 0$, this bit is LOW.

APPLICATIONS INFORMATION

Bit 20 (fourth output bit) is the most significant bit (MSB) of the result. This bit in conjunction with Bit 21 also provides under range and over range indication. If both Bit 21 and Bit 20 are HIGH, the differential input voltage is above +FS. If both Bit 21 and Bit 20 are LOW, the differential input voltage is below -FS. The function of these bits is summarized in Table 1.

Table 1. LTC2496 Status Bits

| Input Range | Bit 23 EOC | Bit 22 DMY | Bit 21 SIG | Bit 20 MSB |
|---------------------------------------|---------------|---------------|---------------|---------------|
| $V_{IN} \geq 0.5 \cdot V_{REF}$ | 0 | 0 | 1 | 1 |
| $0V \leq V_{IN} < 0.5 \cdot V_{REF}$ | 0 | 0 | 1 | 0 |
| $-0.5 \cdot V_{REF} \leq V_{IN} < 0V$ | 0 | 0 | 0 | 1 |
| $V_{IN} < -0.5 \cdot V_{REF}$ | 0 | 0 | 0 | 0 |

Bits 20 to 4 are the 16-bit plus sign conversion result MSB first.

Bit 4 is the least significant bit (LSB₁₆).

Bits 3 to 0 are always LOW.

Data is shifted out of the SDO pin under control of the serial clock (SCK), see Figure 3. Whenever \overline{CS} is HIGH, SDO remains high impedance and SCK is ignored.

In order to shift the conversion result out of the device, \overline{CS} must first be driven LOW. \overline{EOC} is seen at the SDO pin of the device once \overline{CS} is pulled LOW. \overline{EOC} changes in real time from HIGH to LOW at the completion of a conversion. This signal may be used as an interrupt for an external microcontroller. Bit 23 (\overline{EOC}) can be captured on the first rising edge of SCK. Bit 22 is shifted out of the device on the first falling edge of SCK. The final data bit (Bit 0) is shifted out on the on the falling edge of the 23rd SCK and may be latched on the rising edge of the 24th SCK pulse. On the falling edge of the 24th SCK pulse, SDO goes HIGH indicating the initiation of a new conversion cycle. This bit serves as \overline{EOC} (Bit 23) for the next conversion cycle. Table 2 summarizes the output data format.

As long as the voltage on the IN⁺ and IN⁻ pins remains between -0.3V and V_{CC} + 0.3V (absolute maximum operating range) a conversion result is generated for any differential input voltage V_{IN} from -FS = -0.5 • V_{REF} to +FS = 0.5 • V_{REF}. For differential input voltages greater than +FS, the conversion result is clamped to the value corresponding to +FS + 1LSB. For differential input voltages below -FS, the conversion result is clamped to the value -FS - 1LSB.

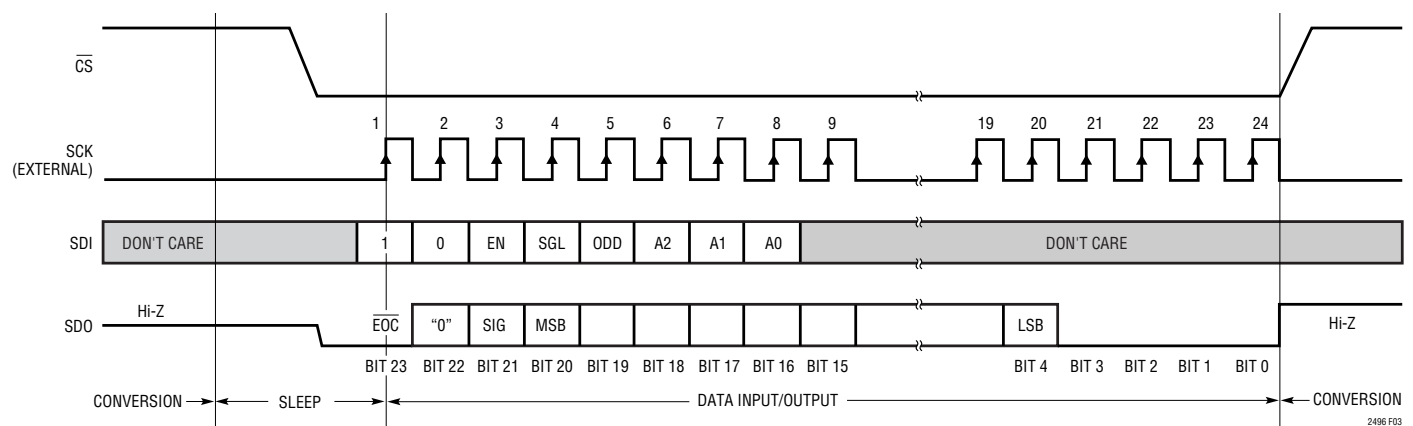


Figure 3. Channel Selection and Data Output Timing

APPLICATIONS INFORMATION

Table 2. LTC2496 Output Data Format

| DIFFERENTIAL INPUT VOLTAGE V_{IN}^* | BIT 23 EOC | BIT 22 DMY | BIT 21 SIG | BIT 20 MSB | BIT 19 | BIT 18 | BIT 17 | ... | BIT 4 | BITS 3 TO 0 |
|--|---------------|---------------|---------------|---------------|--------|--------|--------|-----|-------|-------------|
| $V_{IN}^* \geq FS^{**}$ | 0 | 0 | 1 | 1 | 0 | 0 | 0 | ... | 0 | 0000 |
| $FS^{**} - 1LSB$ | 0 | 0 | 1 | 0 | 1 | 1 | 1 | ... | 1 | 0000 |
| $0.5 \cdot FS^{**}$ | 0 | 0 | 1 | 0 | 1 | 0 | 0 | ... | 0 | 0000 |
| $0.5 \cdot FS^{**} - 1LSB$ | 0 | 0 | 1 | 0 | 0 | 1 | 1 | ... | 1 | 0000 |
| 0 | 0 | 0 | 1 | 0 | 0 | 0 | 0 | ... | 0 | 0000 |
| -1LSB | 0 | 0 | 0 | 1 | 1 | 1 | 1 | ... | 1 | 0000 |
| $-0.5 \cdot FS^{**}$ | 0 | 0 | 0 | 1 | 1 | 0 | 0 | ... | 0 | 0000 |
| $-0.5 \cdot FS^{**} - 1LSB$ | 0 | 0 | 0 | 1 | 0 | 1 | 1 | ... | 1 | 0000 |
| $-FS^{**}$ | 0 | 0 | 0 | 1 | 0 | 0 | 0 | ... | 0 | 0000 |
| $V_{IN}^* < -FS^{**}$ | 0 | 0 | 0 | 0 | 1 | 1 | 1 | ... | 1 | 0000 |

*The differential input voltage $V_{IN} = IN^+ - IN^-$. **The full-scale voltage $FS = 0.5 \cdot V_{REF}$.

INPUT DATA FORMAT

The LTC2496 serial input word is 8 bits long. The input data (SGL, ODD, A2, A1, A0) is used to select the input channel. After power up, the device initiates an internal reset cycle which sets the input channel to CH0 – CH1 ($IN^+ = CH0$, $IN^- = CH1$). The first conversion automatically begins at power up using the default input channel. Once the conversion is complete a new word can be written into the device in order to select the input channel for the next conversion cycle.

The first 3 bits shifted into the device consist of two preenable bits and one enable bit. As demonstrated in Figure 3, the first three bits shifted into the device enable the device input channel selection. Valid settings for these three bits are 000, 100, and 101. Other combinations should be avoided. If the first three bits are 000 or 100, the following data is ignored (don't care) and the previously selected input channel remains valid for the next conversion

If the first 3 bits shifted into the device are 101, then the next 5 bits select the input channel for the next conversion cycle, see Table 3.

The first input bit following the 101 sequence (SGL) determines if the input selection is differential (SGL = 0) or single-ended (SGL = 1). For SGL = 0, two adjacent channels can be selected to form a differential input. For SGL = 1, one of 16-channels is selected as the positive input. The negative input is COM for all single ended operations. The remaining 4 bits (ODD, A2, A1, A0) determine which channel(s) is/are selected and the polarity (for a differential input). This data sequence is backward compatible with the LTC2448 and LTC2418 families of delta sigma ADCs.

SERIAL INTERFACE TIMING MODES

The LTC2496's 4-wire interface is SPI and MICROWIRE compatible. This interface offers several flexible modes of operation. These include internal/external serial clock, 3- or 4-wire I/O, single cycle or continuous conversion. The following sections describe each of these timing modes in detail. In all cases, the converter can use the internal oscillator ($F_0 = LOW$ or $F_0 = HIGH$) or an external oscillator connected to the F_0 pin. For each mode, the operating cycle, data input format, data output format, and performance remain the same. Refer to Table 4 for a summary.

APPLICATIONS INFORMATION

Table 3 Channel Selection

| MUX ADDRESS | | | | | CHANNEL SELECTION | | | | | | | | | | | | | | | | | |
|-------------|--------------|----|----|----|-------------------|-----------------|-----------------|-----------------|-----------------|-----------------|-----------------|-----------------|-----------------|-----------------|-----------------|-----------------|-----------------|-----------------|-----------------|-----------------|-----|-----------------|
| SGL | ODD/ SIGN | A2 | A1 | A0 | 0 | 1 | 2 | 3 | 4 | 5 | 6 | 7 | 8 | 9 | 10 | 11 | 12 | 13 | 14 | 15 | COM | |
| *0 | 0 | 0 | 0 | 0 | IN ⁺ | IN ⁻ | | | | | | | | | | | | | | | | |
| 0 | 0 | 0 | 0 | 1 | | | IN ⁺ | IN ⁻ | | | | | | | | | | | | | | |
| 0 | 0 | 0 | 1 | 0 | | | | | IN ⁺ | IN ⁻ | | | | | | | | | | | | |
| 0 | 0 | 0 | 1 | 1 | | | | | | | IN ⁺ | IN ⁻ | | | | | | | | | | |
| 0 | 0 | 1 | 0 | 0 | | | | | | | | | IN ⁺ | IN ⁻ | | | | | | | | |
| 0 | 0 | 1 | 0 | 1 | | | | | | | | | | | IN ⁺ | IN ⁻ | | | | | | |
| 0 | 0 | 1 | 1 | 0 | | | | | | | | | | | | | IN ⁺ | IN ⁻ | | | | |
| 0 | 0 | 1 | 1 | 1 | | | | | | | | | | | | | | | IN ⁺ | IN ⁻ | | |
| 0 | 1 | 0 | 0 | 0 | IN ⁻ | IN ⁺ | | | | | | | | | | | | | | | | |
| 0 | 1 | 0 | 0 | 1 | | | IN ⁻ | IN ⁺ | | | | | | | | | | | | | | |
| 0 | 1 | 0 | 1 | 0 | | | | | IN ⁻ | IN ⁺ | | | | | | | | | | | | |
| 0 | 1 | 0 | 1 | 1 | | | | | | | IN ⁻ | IN ⁺ | | | | | | | | | | |
| 0 | 1 | 1 | 0 | 0 | | | | | | | | | IN ⁻ | IN ⁺ | | | | | | | | |
| 0 | 1 | 1 | 0 | 1 | | | | | | | | | | | IN ⁻ | IN ⁺ | | | | | | |
| 0 | 1 | 1 | 1 | 0 | | | | | | | | | | | | | IN ⁻ | IN ⁺ | | | | |
| 0 | 1 | 1 | 1 | 1 | | | | | | | | | | | | | | | IN ⁻ | IN ⁺ | | |
| 1 | 0 | 0 | 0 | 0 | IN ⁺ | | | | | | | | | | | | | | | | | IN ⁻ |
| 1 | 0 | 0 | 0 | 1 | | | IN ⁺ | | | | | | | | | | | | | | | IN ⁻ |
| 1 | 0 | 0 | 1 | 0 | | | | IN ⁺ | | | | | | | | | | | | | | IN ⁻ |
| 1 | 0 | 0 | 1 | 1 | | | | | IN ⁺ | | | | | | | | | | | | | IN ⁻ |
| 1 | 0 | 1 | 0 | 0 | | | | | | | IN ⁺ | | | | | | | | | | | IN ⁻ |
| 1 | 0 | 1 | 0 | 1 | | | | | | | | IN ⁺ | | | | | | | | | | IN ⁻ |
| 1 | 0 | 1 | 1 | 0 | | | | | | | | | IN ⁺ | | | | | | | | | IN ⁻ |
| 1 | 0 | 1 | 1 | 1 | | | | | | | | | | IN ⁺ | | | | | | | | IN ⁻ |
| 1 | 1 | 0 | 0 | 0 | | IN ⁺ | | | | | | | | | | | | | | | | IN ⁻ |
| 1 | 1 | 0 | 0 | 1 | | | IN ⁺ | | | | | | | | | | | | | | | IN ⁻ |
| 1 | 1 | 0 | 1 | 0 | | | | IN ⁺ | | | | | | | | | | | | | | IN ⁻ |
| 1 | 1 | 0 | 1 | 1 | | | | | IN ⁺ | | | | IN ⁺ | | | | | | | | | IN ⁻ |
| 1 | 1 | 1 | 0 | 0 | | | | | | | | | | IN ⁺ | | | | | | | | IN ⁻ |
| 1 | 1 | 1 | 0 | 1 | | | | | | | | | | | IN ⁺ | | | | | | | IN ⁻ |
| 1 | 1 | 1 | 1 | 0 | | | | | | | | | | | | | IN ⁺ | | | | | IN ⁻ |
| 1 | 1 | 1 | 1 | 1 | | | | | | | | | | | | | | IN ⁺ | | | | IN ⁻ |

*Default at power up

APPLICATIONS INFORMATION

Table 4. Serial Interface Timing Modes

| CONFIGURATION | SCK SOURCE | CONVERSION CYCLE CONTROL | DATA OUTPUT CONTROL | CONNECTION AND WAVEFORMS |
|---|------------|---------------------------|---------------------------|--------------------------|
| External SCK, Single Cycle Conversion | External | \overline{CS} and SCK | \overline{CS} and SCK | Figures 4, 5 |
| External SCK, 3-Wire I/O | External | SCK | SCK | Figure 6 |
| Internal SCK, Single Cycle Conversion | Internal | $\overline{CS}\downarrow$ | $\overline{CS}\downarrow$ | Figures 7, 8 |
| Internal SCK, 3-Wire I/O, Continuous Conversion | Internal | Continuous | Internal | Figure 9 |

External Serial Clock, Single Cycle Operation

This timing mode uses an external serial clock to shift out the conversion result and \overline{CS} to monitor and control the state of the conversion cycle, see Figure 4.

The external serial clock mode is selected during the power-up sequence and on each falling edge of \overline{CS} . In order to enter and remain in the external SCK mode of operation, SCK must be driven LOW both at power up and on each \overline{CS} falling edge. If SCK is HIGH on the falling edge of \overline{CS} , the device will switch to the internal SCK mode.

The serial data output pin (SDO) is Hi-Z as long as \overline{CS} is HIGH. At any time during the conversion cycle, \overline{CS} may be pulled LOW in order to monitor the state of the converter. While \overline{CS} is LOW, \overline{EOC} is output to the SDO pin.

$\overline{EOC} = 1$ while a conversion is in progress and $\overline{EOC} = 0$ if the conversion is complete and the device is in the sleep state. Independent of \overline{CS} , the device automatically enters the sleep state once the conversion is complete; however, in order to reduce the power, \overline{CS} must be HIGH.

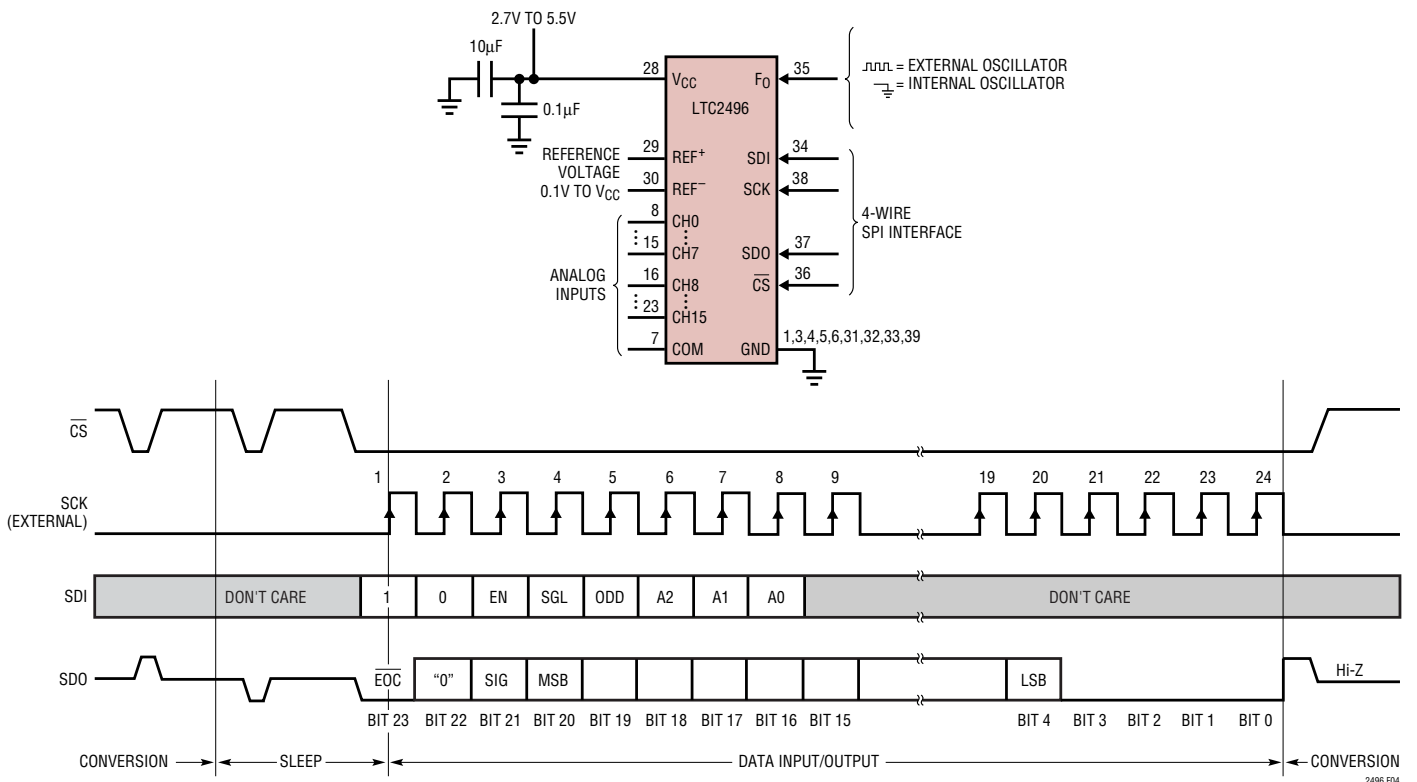


Figure 4. External Serial Clock, Single Cycle Operation

APPLICATIONS INFORMATION

When the device is in the sleep state, its conversion result is held in an internal static shift register. The device remains in the sleep state until the first rising edge of SCK is seen while \overline{CS} is LOW. The input data is then shifted in via the SDI pin on each rising edge of SCK (including the first rising edge). The channel selection will be used for the following conversion cycle. If the input channel is changed during this I/O cycle, the new settings take effect on the conversion cycle following the data input/output cycle. The output data is shifted out the SDO pin on each falling edge of SCK. This enables external circuitry to latch the output on the rising edge of SCK. \overline{EOC} can be latched on the first rising edge of SCK and the last bit of the conversion result can be latched on the 24th rising edge of SCK. On the 24th falling edge of SCK, the device begins a new conversion and SDO goes HIGH ($\overline{EOC} = 1$) indicating a conversion is in progress.

At the conclusion of the data cycle, \overline{CS} may remain LOW and \overline{EOC} monitored as an end-of-conversion interrupt.

Typically, \overline{CS} remains LOW during the data output/input state. However, the data output state may be aborted by pulling \overline{CS} HIGH any time between the 1st falling edge and the 24th falling edge of SCK, see Figure 5. On the rising edge of \overline{CS} , the device aborts the data output state and immediately initiates a new conversion. In order to program a new input channel, 8 SCK clock pulses are required. If the data output sequence is aborted prior to the 8th falling edge of SCK, the new input data is ignored and the previously selected input channel remains valid. If the rising edge of \overline{CS} occurs after the 8th falling edge of SCK, the new input channel is loaded and valid for the next conversion cycle.

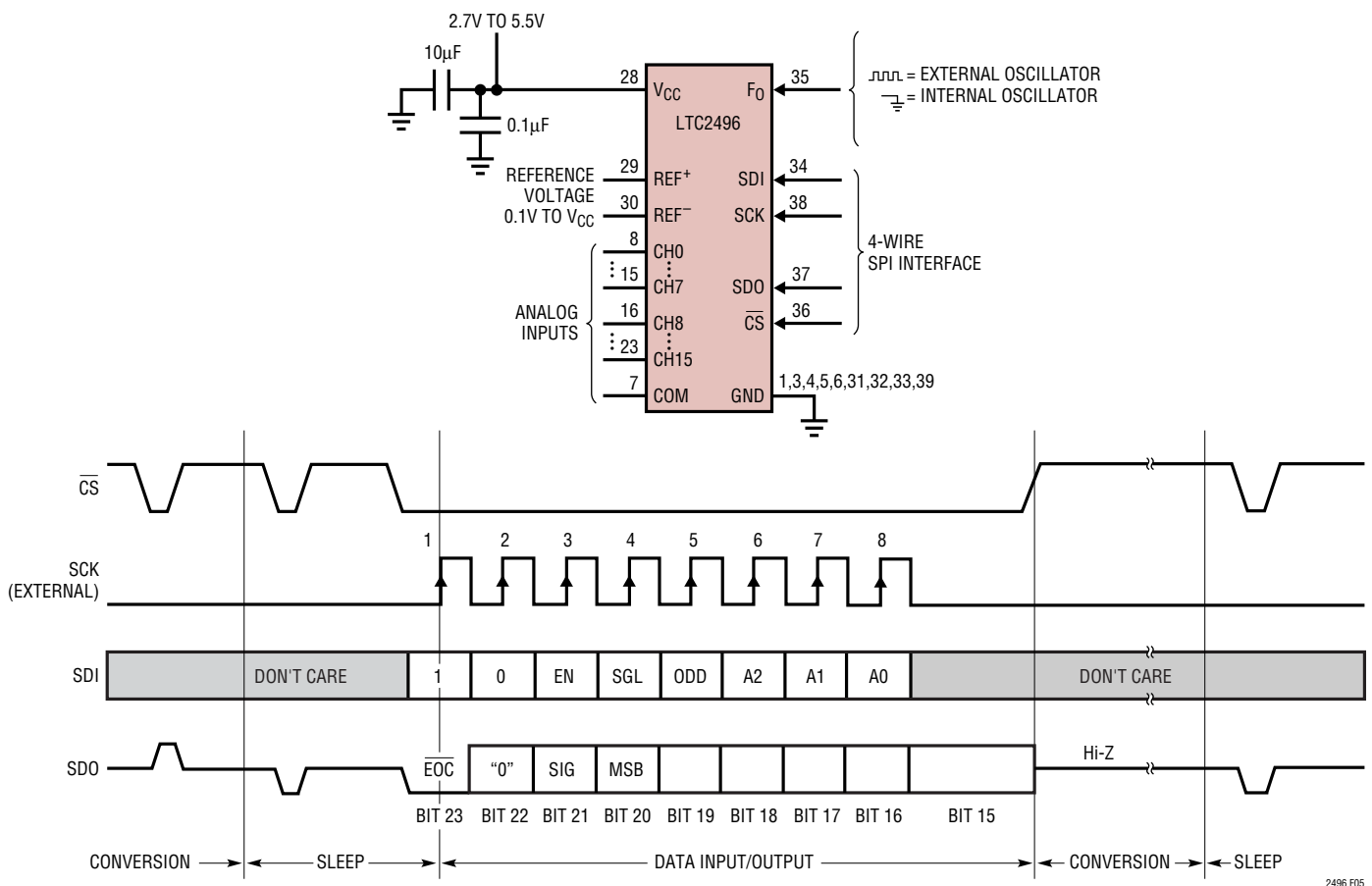


Figure 5. External Serial Clock, Reduced Output Data Length and Valid Channel Selection

2496 F05

2496fa

APPLICATIONS INFORMATION

External Serial Clock, 3-Wire I/O

This timing mode uses a 3-wire serial I/O interface. The conversion result is shifted out of the device by an externally generated serial clock (SCK) signal, see Figure 6. \overline{CS} is permanently tied to ground, simplifying the user interface or isolation barrier.

The external serial clock mode is selected at the end of the power-on reset (POR) cycle. The POR cycle is typically concluded 4ms after V_{CC} exceeds 2V. The level applied to SCK at this time determines if SCK is internally generated or externally applied. In order to enter the external SCK mode, SCK must be driven LOW prior to the end of the POR cycle.

Since \overline{CS} is tied LOW, the end-of-conversion (\overline{EOC}) can be continuously monitored at the SDO pin during the convert and sleep states. \overline{EOC} may be used as an interrupt to an external controller. $\overline{EOC} = 1$ while the conversion is in progress and $\overline{EOC} = 0$ once the conversion is complete. On the falling edge of \overline{EOC} , the conversion result is loading into an internal static shift register. The output data can now be shifted out the SDO pin under control of the externally applied SCK signal. Data is updated on the falling edge of SCK. The input data is shifted into the device through the SDI pin on the rising edge of SCK. On the 24th falling edge of SCK, SDO goes HIGH, indicating a new conversion has begun. This data now serves as \overline{EOC} for the next conversion.

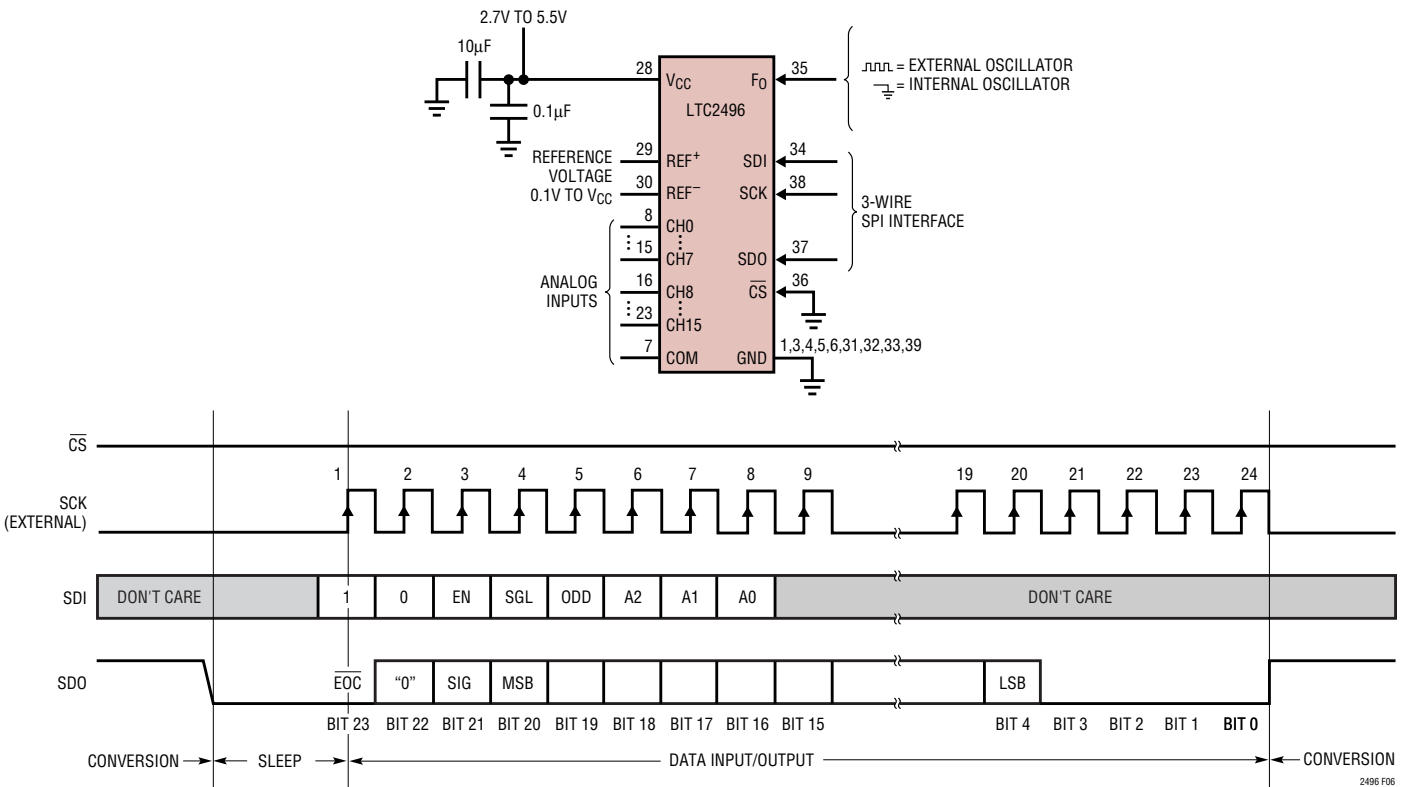


Figure 6. External Serial Clock, 3-Wire Operation ($\overline{CS} = 0$)

APPLICATIONS INFORMATION

Internal Serial Clock, Single Cycle Operation

This timing mode uses the internal serial clock to shift out the conversion result and \overline{CS} to monitor and control the state of the conversion cycle, see Figure 7.

In order to select the internal serial clock timing mode, the serial clock pin (SCK) must be floating or pulled HIGH before the conclusion of the POR cycle and prior to each falling edge of \overline{CS} . An internal weak pull-up resistor is active on the SCK pin during the falling edge of \overline{CS} ; therefore, the internal SCK mode is automatically selected if SCK is not externally driven.

The serial data output pin (SDO) is Hi-Z as long as \overline{CS} is HIGH. At any time during the conversion cycle, \overline{CS} may be pulled low in order to monitor the state of the converter. Once \overline{CS} is pulled LOW, SCK goes LOW and \overline{EOC} is output to the SDO pin. $\overline{EOC} = 1$ while the conversion is in progress and $\overline{EOC} = 0$ if the device is in the sleep state

When testing \overline{EOC} , if the conversion is complete ($\overline{EOC} = 0$), the device will exit sleep state. In order to return to the sleep state and reduce the power consumption, \overline{CS} must be pulled HIGH before the device pulls SCK HIGH. When the device is using its own internal oscillator (F_0 is tied LOW), the first rising edge of SCK occurs $12\mu\text{s}$ ($t_{EOCTEST} = 12\mu\text{s}$) after the falling edge of \overline{CS} . If F_0 is driven by an external oscillator of frequency f_{EOSC} , then $t_{EOCTEST} = 3.6/f_{EOSC}$.

If \overline{CS} remains LOW longer than $t_{EOCTEST}$, the first rising edge of SCK will occur and the conversion result is shifted out the SDO pin on the falling edge of SCK. The serial input word (SDI) is shifted into the device on the rising edge of SCK.

After the 24th rising edge of SCK a new conversion automatically begins. SDO goes HIGH ($\overline{EOC} = 1$) and SCK remains HIGH for the duration of the conversion cycle. Once the conversion is complete, the cycle repeats.

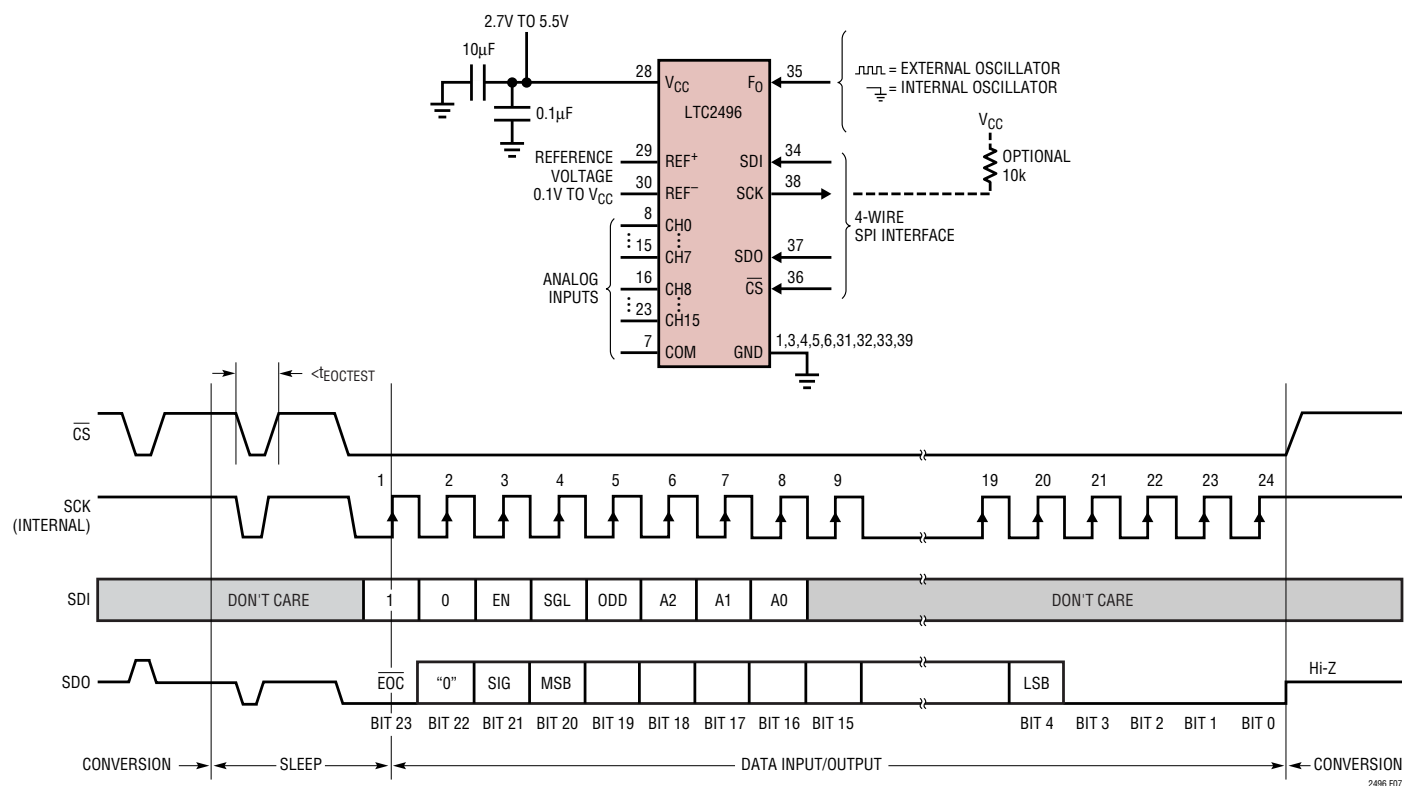


Figure 7. Internal Serial Clock, Single Cycle Operation

APPLICATIONS INFORMATION

Typically, \overline{CS} remains LOW during the data output state. However, the data output state may be aborted by pulling \overline{CS} HIGH any time between the 1st rising edge and the 24th falling edge of SCK, see Figure 8. On the rising edge of \overline{CS} , the device aborts the data output state and immediately initiates a new conversion. In order to program a new input channel, 8 SCK clock pulses are required. If the data output sequence is aborted prior to the 8th falling edge of SCK, the new input data is ignored and the previously selected input channel remains valid. If the rising edge of \overline{CS} occurs after the 8th falling edge of SCK, the new input channel is loaded and valid for the next conversion cycle.

Internal Serial Clock, 3-Wire I/O, Continuous Conversion

This timing mode uses a 3-wire interface. The conversion result is shifted out of the device by an internally generated serial clock (SCK) signal, see Figure 9. In this case, \overline{CS} is permanently tied to ground, simplifying the user interface or transmission over an isolation barrier.

The internal serial clock mode is selected at the end of the power-on reset (POR) cycle. The POR cycle is concluded approximately 4ms after V_{CC} exceeds 2V. An internal weak pull-up is active during the POR cycle; therefore, the internal serial clock timing mode is automatically selected if SCK is floating or driven HIGH.

During the conversion, the SCK and the serial data output pin (SDO) are HIGH ($\overline{EOC} = 1$). Once the conversion is complete, SCK and SDO go LOW ($\overline{EOC} = 0$) indicating the conversion has finished and the device has entered the sleep state. The device remains in the sleep state a minimum amount of time (1/2 the internal SCK period) then immediately begins outputting and inputting data. The input data is shifted through the SDI pin on the rising edge of SCK (including the first rising edge) and the output data is shifted out the SDO pin on the falling edge of SCK. The data input/output cycle is concluded and a new conversion automatically begins after the 24th rising edge of SCK. During the next conversion, SCK and SDO remain HIGH until the conversion is complete.

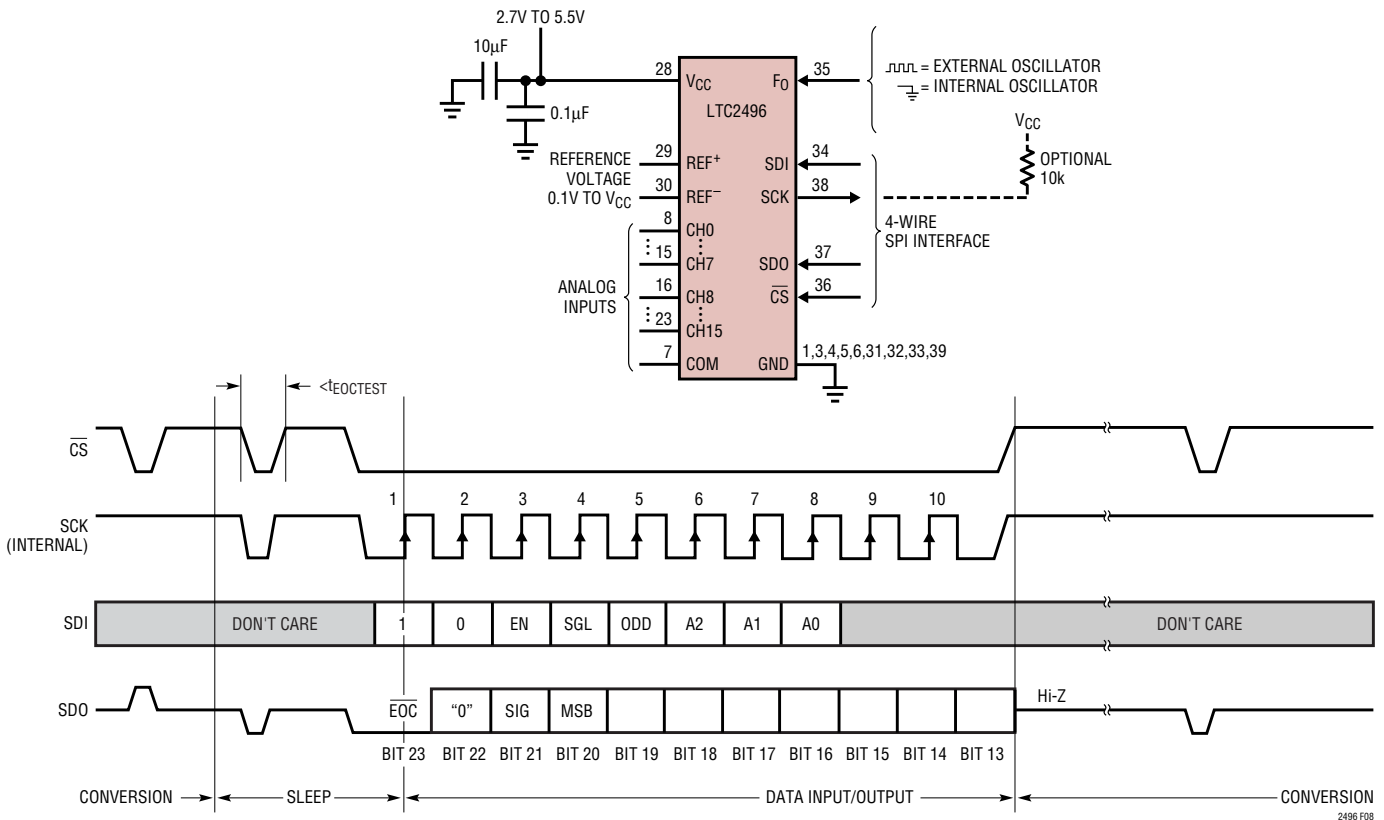
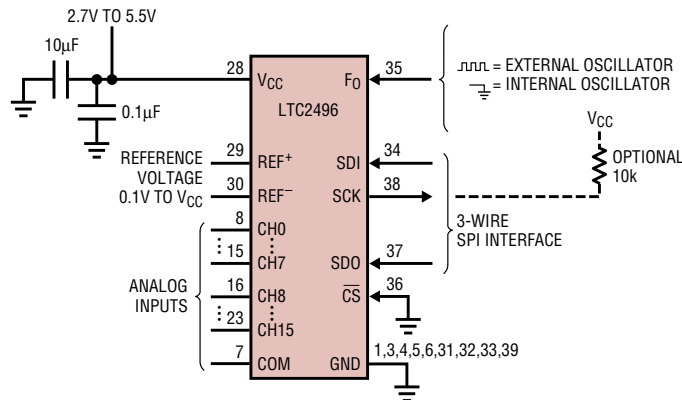


Figure 8. Internal Serial Clock, Reduced Data Output Length with Valid Channel Selection

2496fa

APPLICATIONS INFORMATION



www.DataSheet4U.com

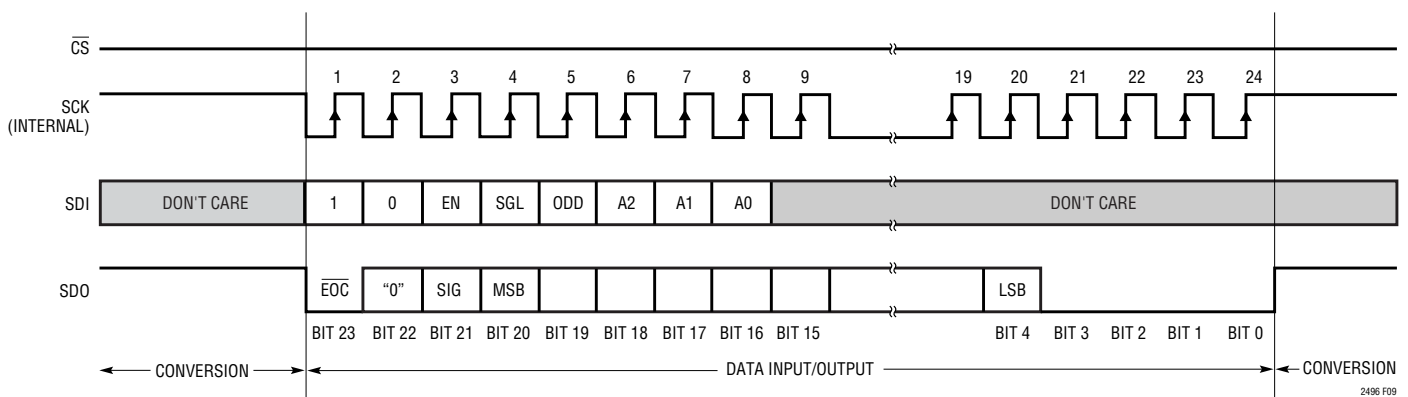


Figure 9. Internal Serial Clock, Continuous Operation

The Use of a 10k Pull-up on SCK for Internal SCK Selection

If \overline{CS} is pulled HIGH while the converter is driving SCK LOW, the internal pull-up is not available to restore SCK to a logic HIGH state if SCK is floating. This will cause the device to exit the internal SCK mode on the next falling edge of \overline{CS} . This can be avoided by adding an external 10k pull-up resistor to the SCK pin.

Whenever SCK is LOW, the LTC2496's internal pull-up at SCK is disabled. Normally, SCK is not externally driven if the device is operating in the internal SCK timing mode. However, certain applications may require an external driver on SCK. If the driver goes Hi-Z after outputting a LOW signal, the internal pull-up is disabled. An external 10k pull-up resistor prevents the device from exiting the internal SCK mode under this condition.

A similar situation may occur during the sleep state when \overline{CS} is pulsed HIGH-LOW-HIGH in order to test the conversion status. If the device is in the sleep state ($\overline{EOC} = 0$),

SCK will go LOW. If \overline{CS} goes HIGH before the time $t_{EOCTEST}$, the internal pull-up is activated. If SCK is heavily loaded, the internal pull-up may not restore SCK to a HIGH state before the next falling edge of \overline{CS} . The external 10k pull-up resistor prevents the device from exiting the internal SCK mode under this condition.

PRESERVING THE CONVERTER ACCURACY

The LTC2496 is designed to reduce as much as possible sensitivity to device decoupling, PCB layout, anti-aliasing circuits, line frequency perturbations, and temperature sensitivity. In order to achieve maximum performance a few simple precautions should be observed.

Digital Signal Levels

The LTC2496's digital interface is easy to use. Its digital inputs (SDI, F_0 , \overline{CS} , and SCK in external serial clock mode) accept standard CMOS logic levels. Internal hysteresis circuits can tolerate edge transition times as slow as 100µs.

2496fa

APPLICATIONS INFORMATION

The digital input signal range is 0.5V to $V_{CC} - 0.5V$. During transitions, the CMOS input circuits draw dynamic current. For optimal performance, application of signals to the serial data interface should be reserved for the sleep and data output periods.

During the conversion period, overshoot and undershoot of fast digital signals applied to both the serial digital interface and the external oscillator pin (F_0) may degrade the converter performance. Undershoot and overshoot occur due to impedance mismatch of the circuit board trace at the converter pin when the transition time of an external control signal is less than twice the propagation delay from the driver to the input pin. For reference, on a regular FR-4 board, the propagation delay is approximately 183ps/inch. In order to prevent overshoot, a driver with a 1ns transition time must be connected to the converter through a trace shorter than 2.5 inches. This becomes difficult when shared control lines are used and multiple reflections occur.

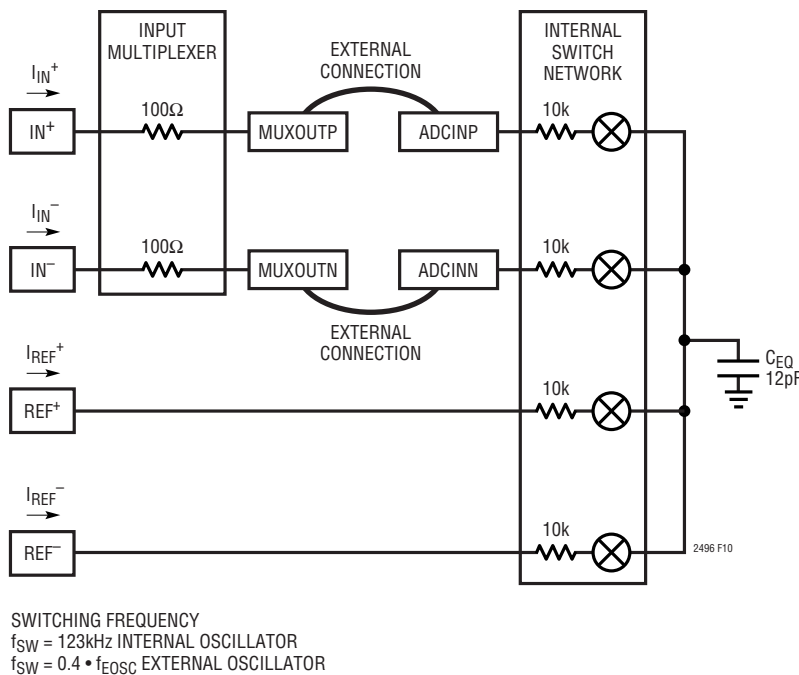
Parallel termination near the input pin of the LTC2496 will eliminate this problem, but will increase the driver power dissipation. A series resistor from 27Ω to 54Ω (depend-

ing on the trace impedance and connection) placed near the driver will also eliminate over/undershoot without additional driver power dissipation.

For many applications, the serial interface pins (SCK, SDI, \overline{CS} , F_0) remain static during the conversion cycle and no degradation occurs. On the other hand, if an external oscillator is used (F_0 driven externally) it is active during the conversion cycle. Moreover, the digital filter rejection is minimal at the clock rate applied to F_0 . Care must be taken to ensure external inputs and reference lines do not cross this signal or run near it. These issues are avoided when using the internal oscillator.

Driving the Input and Reference

The input and reference pins of the LTC2496 are connected directly to a switched capacitor network. Depending on the relationship between the differential input voltage and the differential reference voltage, these capacitors are switched between these four pins. Each time a capacitor is switched between two of these pins, a small amount of charge is transferred. A simplified equivalent circuit is shown in Figure 10.



$$I(IN^+)_{AVG} = I(IN^-)_{AVG} = \frac{V_{IN(CM)} - V_{REF(CM)}}{0.5 \cdot R_{EQ}}$$

$$I(REF^+)_{AVG} \approx \frac{1.5V_{REF} + (V_{REF(CM)} - V_{IN(CM)})}{0.5 \cdot R_{EQ}} - \frac{V_{IN}^2}{V_{REF} \cdot R_{EQ}}$$

where:

$$V_{REF} = REF^+ - REF^-$$

$$V_{REF(CM)} = \left(\frac{REF^+ + REF^-}{2} \right)$$

$V_{IN} = IN^+ - IN^-$, WHERE IN^+ AND IN^- ARE THE SELECTED INPUT CHANNELS

$$V_{IN(CM)} = \left(\frac{IN^+ + IN^-}{2} \right)$$

$R_{EQ} = 2.98\text{M}\Omega$ INTERNAL OSCILLATOR

$R_{EQ} = (0.833 \cdot 10^{12}) / f_{EOSC}$ EXTERNAL OSCILLATOR

Figure 10. LTC2496 Equivalent Analog Input Circuit

APPLICATIONS INFORMATION

When using the LTC2496's internal oscillator, the input capacitor array is switched at 123kHz. The effect of the charge transfer depends on the circuitry driving the input/reference pins. If the total external RC time constant is less than 580ns the errors introduced by the sampling process are negligible since complete settling occurs.

Typically, the reference inputs are driven from a low impedance source. In this case complete settling occurs even with large external bypass capacitors. The inputs (CH0 to CH15, COM), on the other hand, are typically driven from larger source resistances. Source resistances up to 10k may interface directly to the LTC2496 and settle completely; however, the addition of external capacitors at the input terminals in order to filter unwanted noise (anti-aliasing) results in incomplete settling.

The LTC2496 offers two methods of removing these errors. The first is an automatic differential input current cancellation (Easy Drive) and the second is the insertion of buffer between the MUXOUT and ADCIN pins, thus isolating the input switching from the source resistance.

Automatic Differential Input Current Cancellation

In applications where the sensor output impedance is low (up to 10k with no external bypass capacitor or up to 500Ω with 0.001μF bypass), complete settling of the input occurs. In this case, no errors are introduced and direct digitization is possible.

For many applications, the sensor output impedance combined with external input bypass capacitors produces RC time constants much greater than the 580ns required for 1ppm accuracy. For example, a 10k bridge driving a 0.1μF capacitor has a time constant an order of magnitude greater than the required maximum.

The LTC2496 uses a proprietary switching algorithm that forces the average differential input current to zero independent of external settling errors. This allows direct digitization of high impedance sensors without the need of buffers.

The switching algorithm forces the average input current on the positive input (I_{IN}^+) to be equal to the average input current in the negative input (I_{IN}^-). Over the complete conversion cycle, the average differential input current

($I_{IN}^+ - I_{IN}^-$) is zero. While the differential input current is zero, the common mode input current ($(I_{IN}^+ + I_{IN}^-)/2$) is proportional to the difference between the common mode input voltage ($V_{IN(CM)}$) and the common mode reference voltage ($V_{REF(CM)}$).

In applications where the input common mode voltage is equal to the reference common mode voltage, as in the case of a balanced bridge, both the differential and common mode input current are zero. The accuracy of the converter is not compromised by settling errors.

In applications where the input common mode voltage is constant but different from the reference common mode voltage, the differential input current remains zero while the common mode input current is proportional to the difference between $V_{IN(CM)}$ and $V_{REF(CM)}$. For a reference common mode voltage of 2.5V and an input common mode of 1.5V, the common mode input current is approximately 0.74μA. This common mode input current does not degrade the accuracy if the source impedances tied to IN^+ and IN^- are matched. Mismatches in source impedance lead to a fixed offset error but do not effect the linearity or full scale reading. A 1% mismatch in a 1k source resistance leads to a 74μV shift in offset voltage.

In applications where the common mode input voltage varies as a function of the input signal level (single ended type sensors), the common mode input current varies proportionally with input voltage. For the case of balanced input impedances, the common mode input current effects are rejected by the large CMRR of the LTC2496, leading to little degradation in accuracy. Mismatches in source impedances lead to gain errors proportional to the difference between the common mode input and common mode reference. 1% mismatches in 1k source resistances lead to gain errors on the order of 15ppm. Based on the stability of the internal sampling capacitors and the accuracy of the internal oscillator, a one-time calibration will remove this error.

In addition to the input sampling current, the input ESD protection diodes have a temperature dependent leakage current. This current, nominally 1nA ($\pm 10nA$ max) results in a small offset shift. A 1k source resistance will create a 1μV typical and a 10μV maximum offset voltage.

APPLICATIONS INFORMATION

Automatic Offset Calibration of External Buffers/ Amplifiers

In addition to the Easy Drive input current cancellation, the LTC2496 enables an external amplifier to be inserted between the multiplexer output and the ADC input, see Figure 11. This is useful in applications where balanced source impedances are not possible. One pair of external buffers/amplifiers can be shared between all 17 analog inputs. The LTC2496 performs an internal offset calibration every conversion cycle in order to remove the offset and drift of the ADC. This calibration is performed through a combination of front end switching and digital processing. Since the external amplifier is placed between the multiplexer and the ADC, it is inside this correction loop. This results in automatic offset correction and offset drift removal of the external amplifier.

The LTC6078 is an excellent amplifier for this function. It operates with supply voltages as low as 2.7V and its noise level is $18\text{nV}/\sqrt{\text{Hz}}$. The Easy Drive input technology of the LTC2496 enables an RC network to be added directly to the output of the LTC6078. The capacitor reduces the magnitude of the current spikes seen at the input to the ADC and the resistor isolates the capacitor load from the op-amp output enabling stable operation.

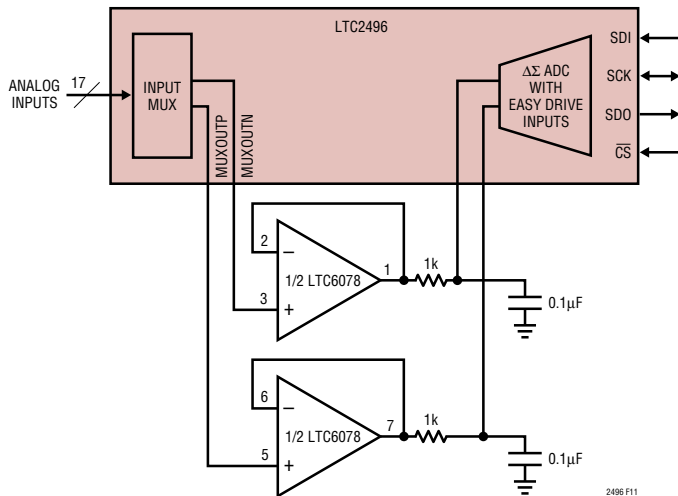


Figure 11. External Buffers Provide High Impedance Inputs and Amplifier Offsets are Automatically Cancelled.

Reference Current

Similar to the analog inputs, the LTC2496 samples the differential reference pins (REF^+ and REF^-) transferring small amounts of charge to and from these pins, thus producing a dynamic reference current. If incomplete settling occurs (as a function the reference source resistance and reference bypass capacitance) linearity and gain errors are introduced.

For relatively small values of external reference capacitance ($C_{\text{REF}} < 1\text{nF}$), the voltage on the sampling capacitor settles for reference impedances of many $\text{k}\Omega$ (if $C_{\text{REF}} = 100\text{pF}$ up to $10\text{k}\Omega$ will not degrade the performance), see Figures 12 and 13.

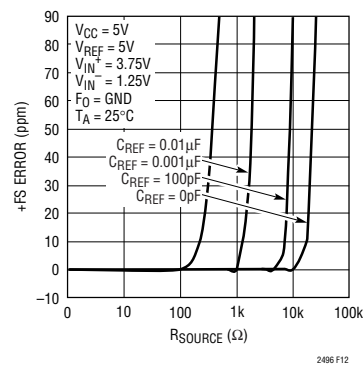


Figure 12. +FS Error vs R_{SOURCE} at V_{REF} (Small C_{REF})

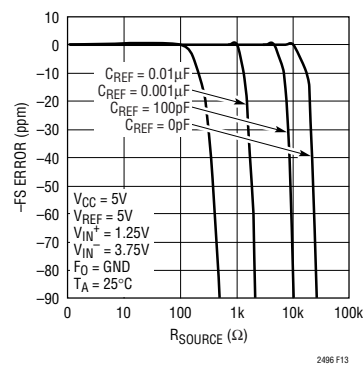


Figure 13. -FS Error vs R_{SOURCE} at V_{REF} (Small C_{REF})

APPLICATIONS INFORMATION

In cases where large bypass capacitors are required on the reference inputs ($C_{REF} > 0.01\mu\text{F}$), full-scale and linearity errors are proportional to the value of the reference resistance. Every ohm of reference resistance produces a full-scale error of approximately 0.5ppm, see Figures 14 and 15. If the input common mode voltage is equal to the reference common mode voltage, a linearity error of approximately 0.67ppm per 100Ω of reference resistance results, see Figure 16. In applications where the input and reference common mode voltages are different, the errors increase. A 1V difference in between common mode input and common mode reference results in a 6.7ppm INL error for every 100Ω of reference resistance.

In addition to the reference sampling charge, the reference

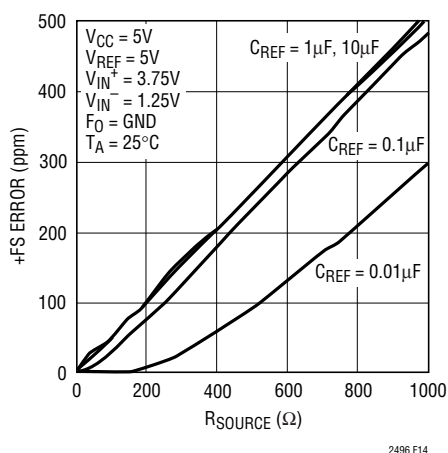


Figure 14. +FS Error vs R_{SOURCE} at V_{REF} (Large C_{REF})

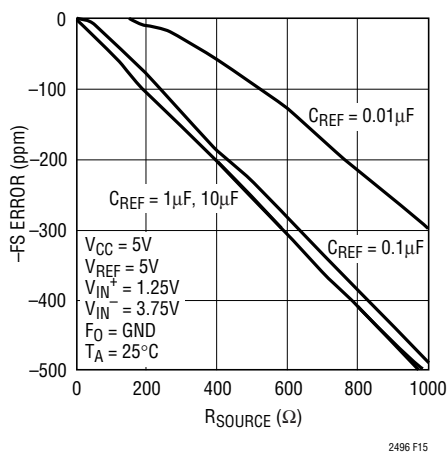


Figure 15. -FS Error vs R_{SOURCE} at V_{REF} (Large C_{REF})

ESD projection diodes have a temperature dependent leakage current. This leakage current, nominally 1nA ($\pm 10\text{nA}$ max) results in a small gain error. A 100Ω reference resistance will create a $0.5\mu\text{V}$ full scale error.

Normal Mode Rejection and Anti-aliasing

One of the advantages delta-sigma ADCs offer over conventional ADCs is on-chip digital filtering. Combined with a large oversample ratio, the LTC2496 significantly simplifies anti-aliasing filter requirements. Additionally, the input current cancellation feature allows external low pass filtering without degrading the DC performance of the device.

The SINC⁴ digital filter provides excellent normal mode rejection at all frequencies except DC and integer multiples of the modulator sampling frequency (f_S). The modulator sampling frequency is $f_S = 15,360\text{Hz}$ while operating with its internal oscillator and $f_S = f_{EOSC}/20$ when operating with an external oscillator of frequency f_{EOSC} .

When using the internal oscillator, the LTC2496 is designed to reject line frequencies. As shown in Figure 17, rejection nulls occur at multiples of frequency f_N , where f_N is 55Hz for simultaneous 50Hz/60Hz rejection). Multiples of the modulator sampling rate ($f_S = f_N \cdot 256$) only reject noise to 15dB (see Figure 18), if noise sources are present at these frequencies anti-aliasing will reduce their effects.

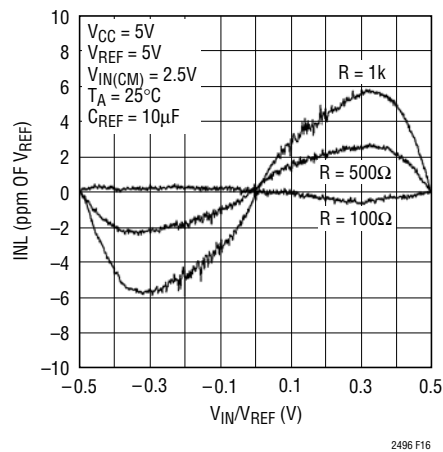


Figure 16. INL vs Differential Input Voltage and Reference Source Resistance for $C_{REF} > 1\mu\text{F}$

2496fa

APPLICATIONS INFORMATION

The user can expect to achieve this level of performance using the internal oscillator, as shown in Figure 19. Measured values of normal mode rejection are shown superimposed over the theoretical rejection.

Traditional high order delta-sigma modulators suffer from potential instabilities at large input signal levels. The proprietary architecture used for the LTC2496 third order modulator resolves this problem and guarantees stability with input signals 150% of full-scale. In many industrial applications, it is not uncommon to have microvolt level signals superimposed over unwanted error sources with several volts of peak-to-peak noise. Figure 20 shows measurement results for the rejection of a 7.5V peak-to-peak noise source (150% of full scale) applied to the LTC2496. From these curves, it is shown that the rejection performance is maintained even in extremely noisy environments.

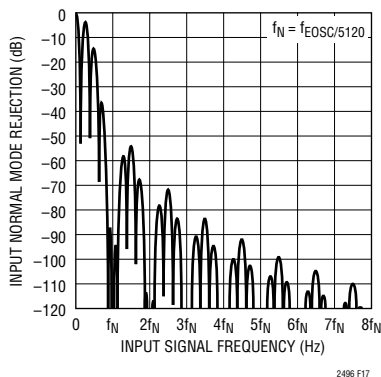


Figure 17. Input Normal Mode Rejection at DC

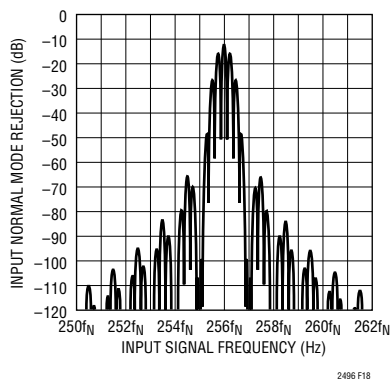


Figure 18. Input Normal Mode Rejection at $f_s = 256 \cdot f_N$

Output Data Rate

When using its internal oscillator, the LTC2496 produces up to 6.9 samples per second (sps) with a notch frequency of 55Hz. The actual output data rate depends upon the length of the sleep and data output cycles which are controlled by the user and can be made insignificantly short. When operating with an external conversion clock (F_0 connected to an external oscillator), the LTC2496 output data rate can be increased. The duration of the conversion cycle is $41036/f_{EOSC}$. If $f_{EOSC} = 307.2\text{kHz}$, the converter notch frequency is 60Hz.

An increase in f_{EOSC} over the nominal 307.2kHz will translate into a proportional increase in the maximum output data rate (up to a maximum of 100sps). The increase in output rate leads to degradation in offset, full-scale error, and effective resolution as well as a shift in frequency rejection.

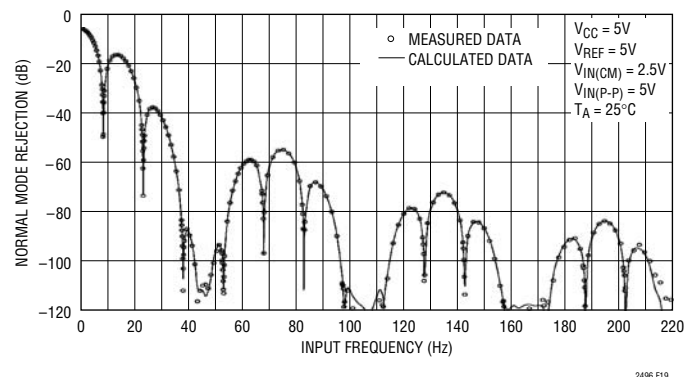


Figure 19. Input Normal Mode Rejection vs Input Frequency with Input Perturbation of 100% (50Hz/60Hz Notch)

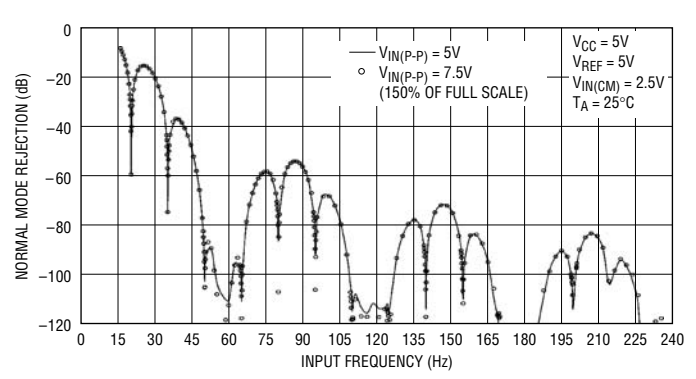


Figure 20. Input Normal Mode Rejection vs Input Frequency with Input Perturbation of 150% (60Hz Notch)

APPLICATIONS INFORMATION

A change in f_{EOSC} results in a proportional change in the internal notch position. This leads to reduced differential mode rejection of line frequencies. The common mode rejection of line frequencies remains unchanged, thus fully differential input signals with a high degree of symmetry on both the IN^+ and IN^- pins will continue to reject line frequency noise.

An increase in f_{EOSC} also increases the effective dynamic input and reference current. External RC networks will

continue to have zero differential input current, but the time required for complete settling (580ns for $f_{EOSC} = 307.2kHz$) is reduced, proportionally.

Once the external oscillator frequency is increased above 1MHz (a more than 3x increase in output rate) the effectiveness of internal auto calibration circuits begins to degrade. This results in larger offset errors, full-scale errors, and decreased resolution, see Figures 21 to 28.

www.DataSheet4U.com

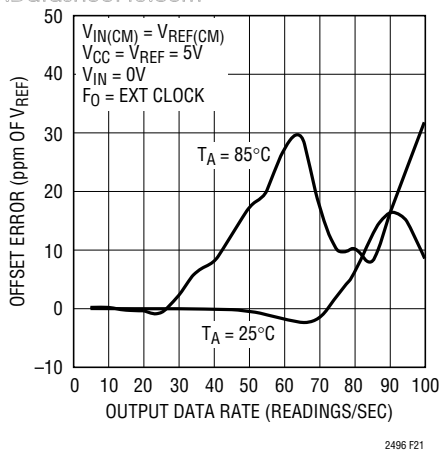


Figure 21. Offset Error vs Output Data Rate and Temperature

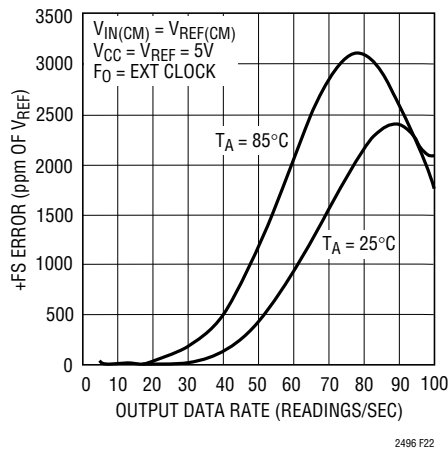


Figure 22. +FS Error vs Output Data Rate and Temperature

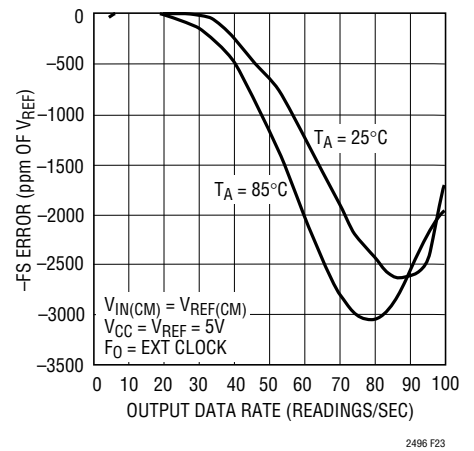


Figure 23. -FS Error vs Output Data Rate and Temperature

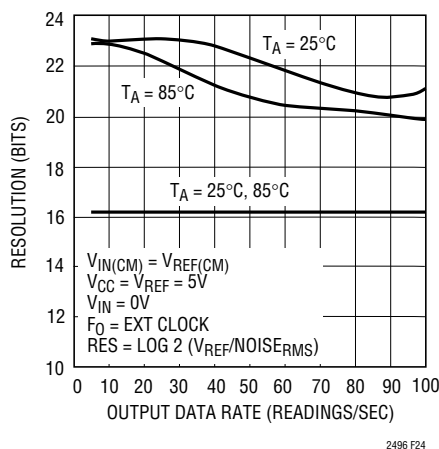


Figure 24. Resolution ($Noise_{RMS} \leq 1LSB$) vs Output Data Rate and Temperature

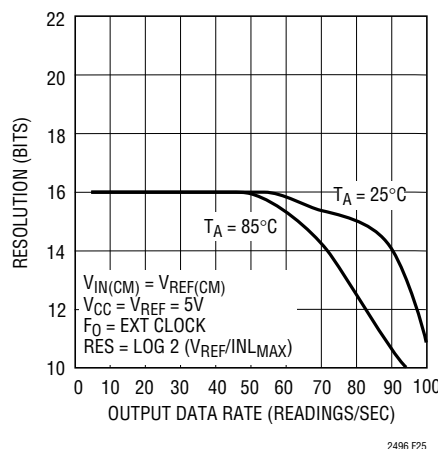


Figure 25. Resolution ($INL_{MAX} \leq 1LSB$) vs Output Data Rate and Temperature

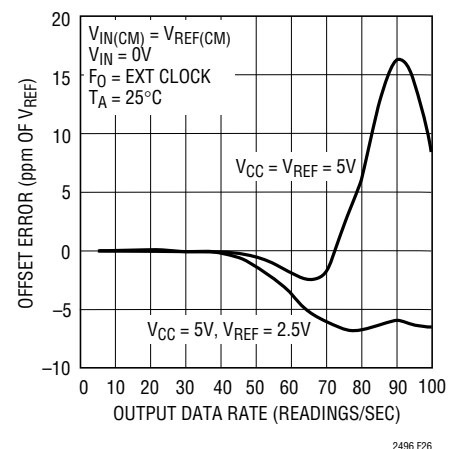


Figure 26. Offset Error vs Output Data Rate and Reference Voltage

APPLICATIONS INFORMATION

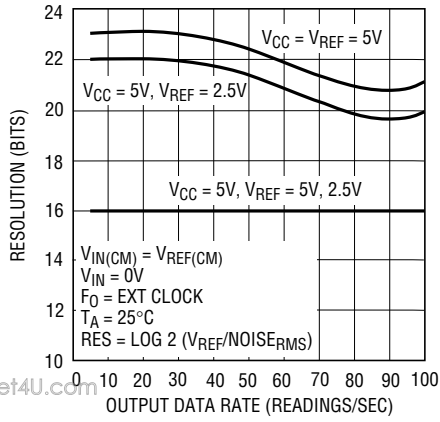


Figure 27. Resolution ($\text{Noise}_{\text{RMS}} \leq 1\text{LSB}$) vs Output Data Rate and Reference Voltage

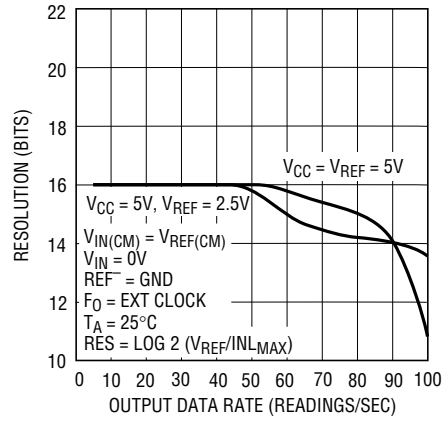
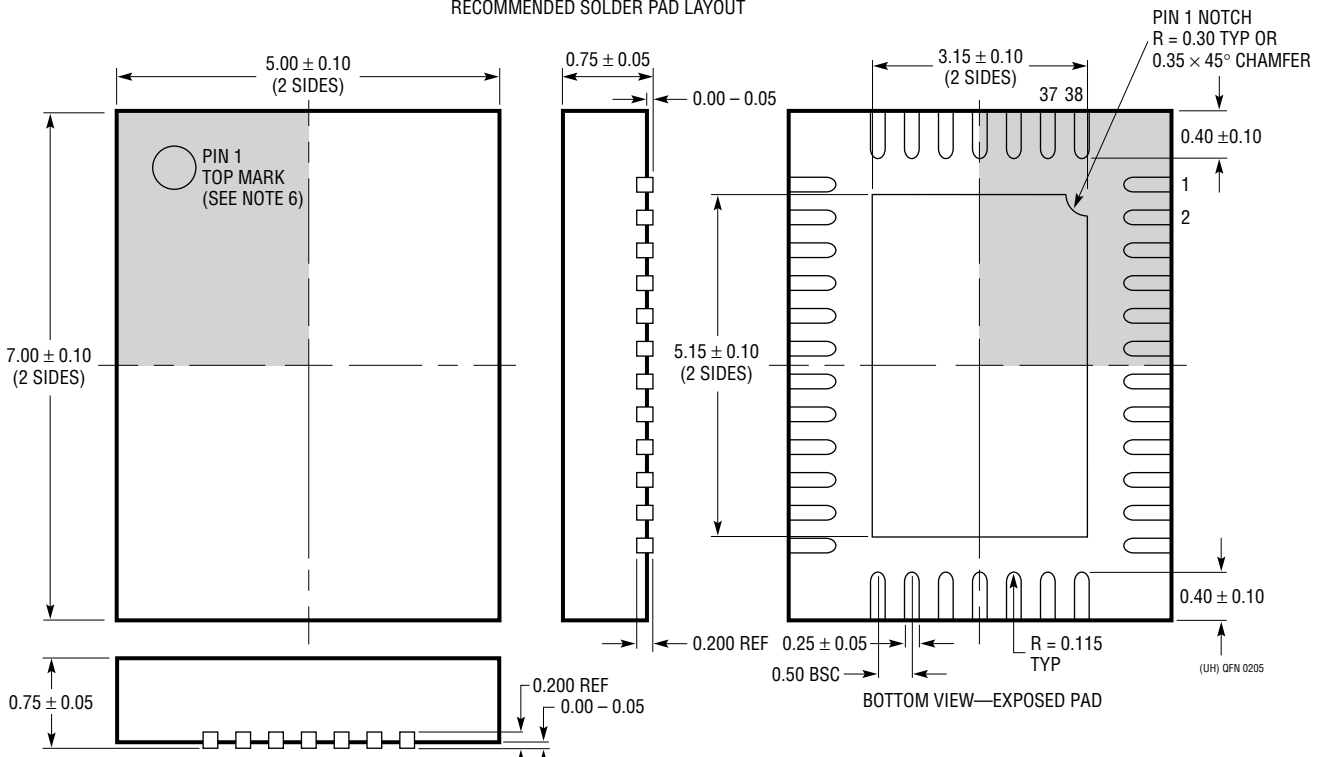
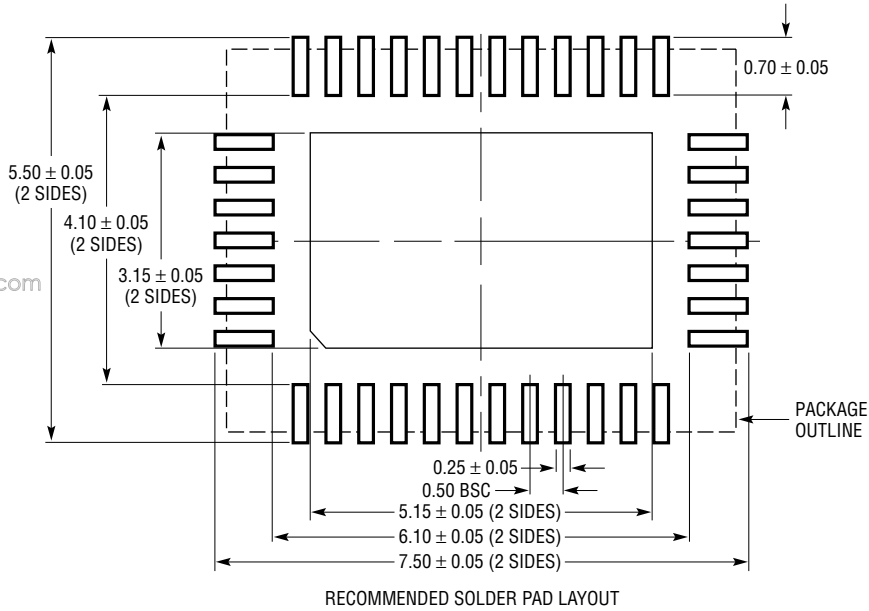


Figure 28. Resolution ($\text{INL}_{\text{MAX}} \leq 1\text{LSB}$) vs Output Data Rate and Reference Voltage

PACKAGE DESCRIPTION

UHF Package
38-Lead Plastic QFN (5mm × 7mm)
 (Reference LTC DWG # 05-08-1701)

www.DataSheet4U.com

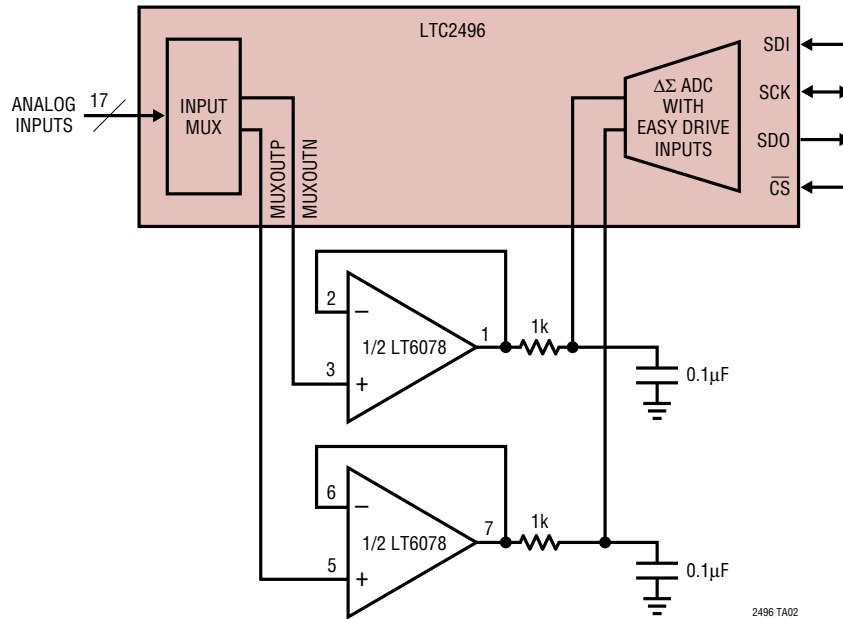


- NOTE:
1. DRAWING CONFORMS TO JEDEC PACKAGE OUTLINE MO-220 VARIATION WHKD
 2. DRAWING NOT TO SCALE
 3. ALL DIMENSIONS ARE IN MILLIMETERS
 4. DIMENSIONS OF EXPOSED PAD ON BOTTOM OF PACKAGE DO NOT INCLUDE MOLD FLASH. MOLD FLASH, IF PRESENT, SHALL NOT EXCEED 0.20mm ON ANY SIDE
 5. EXPOSED PAD SHALL BE SOLDER PLATED
 6. SHADED AREA IS ONLY A REFERENCE FOR PIN 1 LOCATION ON THE TOP AND BOTTOM OF PACKAGE

2496fa

TYPICAL APPLICATION

External Buffers Provide High Impedance Inputs and Amplifier Offsets are Automatically Cancelled.



www.DataSheet4U.com

2496 TA02

RELATED PARTS

| PART NUMBER | DESCRIPTION | COMMENTS |
|-------------------|--|---|
| LT1236A-5 | Precision Bandgap Reference, 5V | 0.05% Max Initial Accuracy, 5ppm/°C Drift |
| LT1460 | Micropower Series Reference | 0.075% Max Initial Accuracy, 10ppm/°C Max Drift |
| LT1790 | Micropower SOT-23 Low Dropout Reference Family | 0.05% Max Initial Accuracy, 10ppm/°C Max Drift |
| LTC2400 | 24-Bit, No Latency $\Delta\Sigma$ ADC in SO-8 | 0.3ppm Noise, 4ppm INL, 10ppm Total Unadjusted Error, 200μA |
| LTC2410 | 24-Bit, No Latency $\Delta\Sigma$ ADC with Differential Inputs | 0.8μV _{RMS} Noise, 2ppm INL |
| LTC2411/LTC2411-1 | 24-Bit, No Latency $\Delta\Sigma$ ADCs with Differential Inputs in MSOP | 1.45μV _{RMS} Noise, 4ppm INL, Simultaneous 50Hz/60Hz Rejection (LTC2411-1) |
| LTC2413 | 24-Bit, No Latency $\Delta\Sigma$ ADC with Differential Inputs | Simultaneous 50Hz/60Hz Rejection, 800nV _{RMS} Noise |
| LTC2415/LTC2415-1 | 24-Bit, No Latency $\Delta\Sigma$ ADCs with 15Hz Output Rate | Pin Compatible with the LTC2410 |
| LTC2414/LTC2418 | 8-/16-Channel 24-Bit, No Latency $\Delta\Sigma$ ADCs | 0.2ppm Noise, 2ppm INL, 3ppm Total Unadjusted Errors 200μA |
| LTC2440 | High Speed, Low Noise 24-Bit $\Delta\Sigma$ ADC | 3.5kHz Output Rate, 200nV Noise, 24.6 ENOBs |
| LTC2480 | 16-Bit $\Delta\Sigma$ ADC with Easy Drive Inputs, 600nV Noise, Programmable Gain, and Temperature Sensor | Pin Compatible with LTC2482/LTC2484 |
| LTC2481 | 16-Bit $\Delta\Sigma$ ADC with Easy Drive Inputs, 600nV Noise, I ² C Interface, Programmable Gain, and Temperature Sensor | Pin Compatible with LTC2483/LTC2485 |
| LTC2482 | 16-Bit $\Delta\Sigma$ ADC with Easy Drive Inputs | Pin Compatible with LTC2480/LTC2484 |
| LTC2483 | 16-Bit $\Delta\Sigma$ ADC with Easy Drive Inputs, and I ² C Interface | Pin Compatible with LTC2481/LTC2485 |
| LTC2484 | 24-Bit $\Delta\Sigma$ ADC with Easy Drive Inputs | Pin Compatible with LTC2480/LTC2482 |
| LTC2485 | 24-Bit $\Delta\Sigma$ ADC with Easy Drive Inputs, I ² C Interface, and Temperature Sensor | Pin Compatible with LTC2481/LTC2483 |
| LTC2498 | 24-Bit 8-/16-Channel $\Delta\Sigma$ ADC with Easy Drive Input Current Cancellation | Pin Compatible with LTC2496/LTC2449 |

2496fa