



LD2117/A

LINEAR INTEGRATED CIRCUIT

LOW DROPOUT FIXED AND ADJUSTABLE POSITIVE VOLTAGE REGULATORS

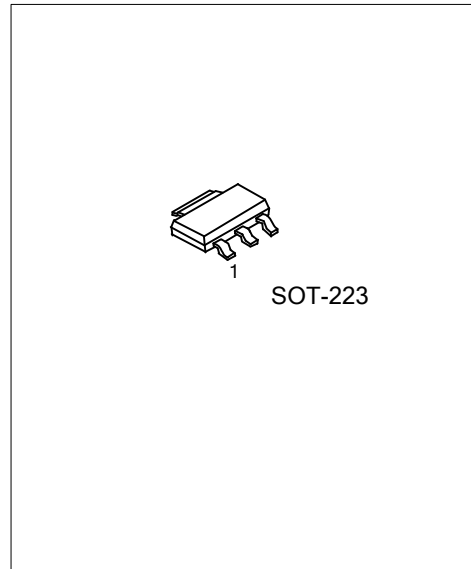
DESCRIPTION

The UTC **LD2117/A** is a low dropout, 3-terminal positive voltage regulator designed to provide output current up to 800mA/1A, There are adjustable versions ($V_{REF}=1.25V$) and various fixed versions.

FEATURES

- * Low dropout voltage
- * Suitable for SCSI-2 active termination if V_{OUT} set to 2.85V
- * Output current up to 0.8A for 2117 and 1.0A for 2117A
- * Built-in current limit and over temperature protection
- * Available in $\pm 1\%$ (at 25°C) and 2% in all temperature range
- * Ultra low current consumption (0.35mA typ.)
- * Ultra low Adjustment Current (7 μ A typ.)
- * Ultra low minimum Load (0.3mA typ.)
- * Support MLCC

ORDERING INFORMATION



Ordering Number		Package	② Pin Assignment	Packing
Lead Free	Halogen Free			
LD2117①L-xx-AA3-②-R	LD2117①G-xx-AA3-②-R	SOT-223	A: AOI B: OAI C: AIO D: IAO	Tape Reel

Note: Pin Assignment: I:V_{IN} O:V_{OUT} A:ADJ

<p>LD2117①L-xx-AA3-②-R</p>	<p>(1) Packing Type (1) R: Tape Reel</p> <p>(2) Pin Assignment (2) refer to Pin Assignment</p> <p>(3) Package Type (3) AA3: SOT-223</p> <p>(4) Output Voltage Code (4) xx: refer to Marking Information</p> <p>(5) Lead Free (5) G: Halogen Free, L: Lead Free</p> <p>(6) Current Code (6) Blank: 800mA, A: 1A</p>
----------------------------	--

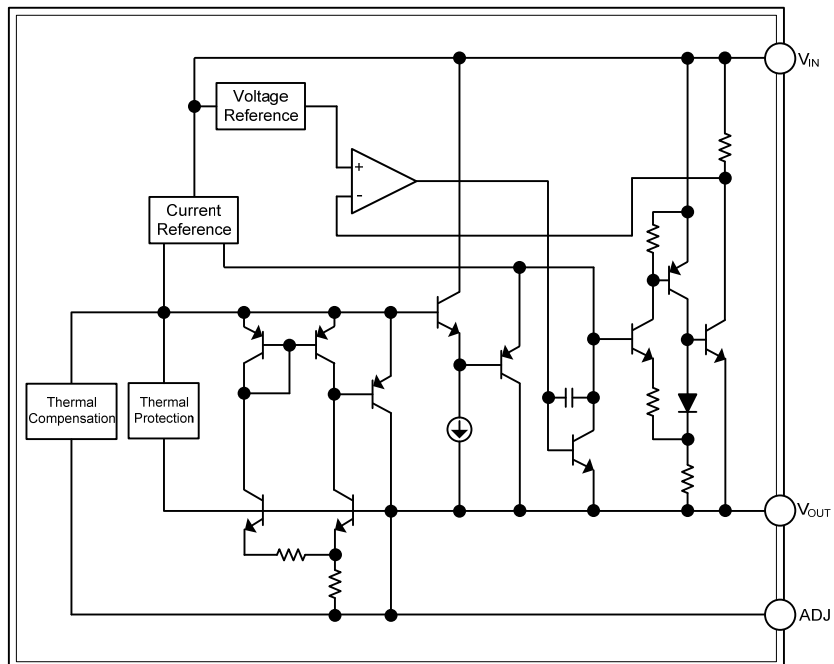
LD2117/A

LINEAR INTEGRATED CIRCUIT

MARKING INFORMATION

PACKAGE	VOLTAGE CODE	MARKING
SOT-223	12 :1.2V	
	15 :1.5V	
	18 :1.8V	
	30 :3.0V	
	33 :3.3V	
	36 :3.6V	
	50 :5.0V	
AD :ADJ		

BLOCK DIAGRAM



■ ABSOLUTE MAXIMUM RATING ($T_A=25^{\circ}\text{C}$)

PARAMETER	SYMBOL	RATINGS	UNIT
DC Input Voltage	V_{IN}	18	V
Power Dissipation	P_D	Internally limited	W
Junction Temperature	T_J	+150	$^{\circ}\text{C}$
Storage temperature	T_{STG}	-65 ~ +150	$^{\circ}\text{C}$

Note: Absolute maximum ratings are those values beyond which the device could be permanently damaged.

Absolute maximum ratings are stress ratings only and functional device operation is not implied.

■ RECOMMENDED OPERATING RATINGS

PARAMETER	SYMBOL	RATINGS	UNIT
Input Voltage	V_{IN}	15	V
Operating Junction Temperature Range	T_J	0 ~ +125	$^{\circ}\text{C}$

■ THERMAL DATA

PARAMETER	SYMBOL	RATINGS	UNIT
Junction to Ambient	θ_{JA}	165	$^{\circ}\text{C}/\text{W}$
Junction to Case	θ_{JC}	15	$^{\circ}\text{C}/\text{W}$

■ ELECTRICAL CHARACTERISTICS

($T_A=25^\circ\text{C}$, refer to the test circuits, $T_J=0 \sim 125^\circ\text{C}$, $C_O=10\mu\text{F}$ unless otherwise specified)

For LD2117/A-1.2

PARAMETER	SYMBOL	TEST CONDITIONS	MIN	TYP	MAX	UNIT
Output Voltage	V_{OUT}	$V_{IN}=3.2\text{V}$, $I_{OUT}=10\text{mA}$, $T_J=25^\circ\text{C}$	1.188	1.200	1.212	V
Output Voltage	V_{OUT}	$V_{IN}=2.7$ to 8V LD2117 : $I_{OUT}=10\sim 800\text{mA}$ LD2117A : $I_{OUT}=10\sim 1000\text{mA}$	1.188	1.200	1.212	V
Line Regulation	ΔV_{OUT}	$V_{IN}=2.7$ to 8V , $I_{OUT}=10\text{mA}$		1	6	mV
Load Regulation	ΔV_{OUT}	$V_{IN}=2.7\text{V}$ LD2117 : $I_{OUT}=10\sim 800\text{mA}$ LD2117A : $I_{OUT}=10\sim 1000\text{mA}$		1	10	mV
Temperature stability	ΔV_{OUT}			0.5		%
Long Term Stability	ΔV_{OUT}	1000 hrs, $T_J=125^\circ\text{C}$		0.3		%
Operating Input Voltage	V_{IN}	$I_{OUT}=100\text{mA}$			15	V
Quiescent Current	I_Q	$V_{IN}\leq 10\text{V}$		0.35	0.5	mA
Current Limit	I_{LIMIT}	$V_{IN}=6.2\text{V}$, $T_J=25^\circ\text{C}$	LD2117 800 LD2117A 1000			mA
Output Noise Voltage	eN	$B=10\text{Hz}$ to 10KHz , $T_J=25^\circ\text{C}$		100		μV
Supply Voltage Rejection	SVR	$I_{OUT}=40\text{mA}$, $f=120\text{Hz}$, $T_J=25^\circ\text{C}$, $V_{IN}=4.2\text{V}$, $V_{RIPPLE}=1\text{Vpp}$	75			dB
Dropout Voltage	V_D	$I_{OUT}=100\text{mA}$ $I_{OUT}=500\text{mA}$ $I_{OUT}=800\text{mA}$ $I_{OUT}=1\text{A}$		1.05 1.15 1.18 1.22	1.15 1.25 1.28 1.35	V
Thermal Regulation		$T_a=25^\circ\text{C}$, 30ms Pulse		0.01	0.10	%/W
Thermal Shutdown	OTP			150		$^\circ\text{C}$

For LD2117/A-1.5

PARAMETER	SYMBOL	TEST CONDITIONS	MIN	TYP	MAX	UNIT
Output Voltage	V_{OUT}	$V_{IN}=3.5\text{V}$, $I_{OUT}=10\text{mA}$, $T_J=25^\circ\text{C}$	1.485	1.500	1.515	V
Output Voltage	V_{OUT}	$V_{IN}=3$ to 8V LD2117 : $I_{OUT}=0\sim 800\text{mA}$ LD2117A : $I_{OUT}=0\sim 1000\text{mA}$	1.485	1.500	1.515	V
Line Regulation	ΔV_{OUT}	$V_{IN}=3$ to 8V , $I_{OUT}=0\text{mA}$		1	6	mV
Load Regulation	ΔV_{OUT}	$V_{IN}=3\text{V}$ LD2117 : $I_{OUT}=0\sim 800\text{mA}$ LD2117A : $I_{OUT}=0\sim 1000\text{mA}$		1	10	mV
Temperature stability	ΔV_{OUT}			0.5		%
Long Term Stability	ΔV_{OUT}	1000 hrs, $T_J=125^\circ\text{C}$		0.3		%
Operating Input Voltage	V_{IN}	$I_{OUT}=100\text{mA}$			15	V
Quiescent Current	I_Q	$V_{IN}\leq 10\text{V}$		0.35	0.5	mA
Current Limit	I_{LIMIT}	$V_{IN}=6.5\text{V}$, $T_J=25^\circ\text{C}$	LD2117 800 LD2117A 1000			mA
Output Noise Voltage	eN	$B=10\text{Hz}$ to 10KHz , $T_J=25^\circ\text{C}$		100		μV
Supply Voltage Rejection	SVR	$I_{OUT}=40\text{mA}$, $f=120\text{Hz}$, $T_J=25^\circ\text{C}$, $V_{IN}=4.5\text{V}$, $V_{RIPPLE}=1\text{Vpp}$	75			dB
Dropout Voltage	V_D	$I_{OUT}=100\text{mA}$ $I_{OUT}=500\text{mA}$ $I_{OUT}=800\text{mA}$ $I_{OUT}=1\text{A}$		1.05 1.15 1.18 1.22	1.15 1.25 1.28 1.35	V
Thermal Regulation		$T_a=25^\circ\text{C}$, 30ms Pulse		0.01	0.10	%/W
Thermal Shutdown	OTP			150		$^\circ\text{C}$

■ ELECTRICAL CHARACTERISTICS(Cont.)

For LD2117/A-1.8

PARAMETER	SYMBOL	TEST CONDITIONS	MIN.	TYP.	MAX.	UNIT	
Output Voltage	V_{OUT}	$V_{IN}=3.8V, I_{OUT}=10mA, T_J=25^{\circ}C$	1.782	1.800	1.818	V	
Output Voltage	V_{OUT}	$V_{IN}=3.3$ to 8V LD2117 : $I_{OUT}=0\sim 800mA$ LD2117A : $I_{OUT}=0\sim 1000mA$	1.782	1.800	1.818	V	
Line Regulation	ΔV_{OUT}	$V_{IN}=3.3$ to 8V, $I_{OUT}=0mA$		1	6	mV	
Load Regulation	ΔV_{OUT}	$V_{IN}=3.3V$ LD2117 : $I_{OUT}=0\sim 800mA$ LD2117A : $I_{OUT}=0\sim 1000mA$		1	10	mV	
Temperature stability	ΔV_{OUT}			0.5		%	
Long Term Stability	ΔV_{OUT}	1000 hrs, $T_J=125^{\circ}C$		0.3		%	
Operating Input Voltage	V_{IN}	$I_{OUT}=100mA$			15	V	
Quiescent Current	I_Q	$V_{IN}\leq 10V$		0.35	0.5	mA	
Current Limit	I_{LIMIT}	$V_{IN}=6.8V, T_J=25^{\circ}C$	LD2117	800		mA	
			LD2117A	1000			
Output Noise Voltage	eN	$B=10Hz$ to 10KHz, $T_J=25^{\circ}C$		100		μV	
Supply Voltage Rejection	SVR	$I_{OUT}=40mA, f=120Hz, T_J=25^{\circ}C,$ $V_{IN}=5.5V, V_{RIPPLE}=1V_{pp}$	75			dB	
Dropout Voltage	V_D	$I_{OUT}=100mA$		1.05	1.15	V	
			$I_{OUT}=500mA$		1.15		1.25
			$I_{OUT}=800mA$		1.18		1.28
			$I_{OUT}=1A$		1.22		1.35
Thermal Regulation		$T_a=25^{\circ}C, 30ms$ Pulse		0.01	0.10	%/W	
Thermal Shutdown	OTP			150		$^{\circ}C$	

For LD2117/A-3.0

PARAMETER	SYMBOL	TEST CONDITIONS	MIN.	TYP.	MAX.	UNIT	
Output Voltage	V_{OUT}	$V_{IN}=5V, I_{OUT}=10mA, T_J=25^{\circ}C$	2.970	3.000	3.030	V	
Output Voltage	V_{OUT}	$V_{IN}=4.5$ to 10V LD2117 : $I_{OUT}=0\sim 800mA$ LD2117A : $I_{OUT}=0\sim 1000mA$	2.970	3.000	3.030	V	
Line Regulation	ΔV_{OUT}	$V_{IN}=4.5$ to 12V, $I_{OUT}=0mA$		1	6	mV	
Load Regulation	ΔV_{OUT}	$V_{IN}=4.5V$ LD2117 : $I_{OUT}=0\sim 800mA$ LD2117A : $I_{OUT}=0\sim 1000mA$		1	10	mV	
Temperature stability	ΔV_{OUT}			0.5		%	
Long Term Stability	ΔV_{OUT}	1000 hrs, $T_J=125^{\circ}C$		0.3		%	
Operating Input Voltage	V_{IN}	$I_{OUT}=100mA$			15	V	
Quiescent Current	I_Q	$V_{IN}\leq 15V$		0.35	0.5	mA	
Current Limit	I_{LIMIT}	$V_{IN}=8V, T_J=25^{\circ}C$	LD2117	800		mA	
			LD2117A	1000			
Output Noise Voltage	eN	$B=10Hz$ to 10KHz, $T_J=25^{\circ}C$		100		μV	
Supply Voltage Rejection	SVR	$I_{OUT}=40mA, f=120Hz, T_J=25^{\circ}C,$ $V_{IN}=6V, V_{RIPPLE}=1V_{pp}$	75			dB	
Dropout Voltage	V_D	$I_{OUT}=100mA$		1.05	1.15	V	
			$I_{OUT}=500mA$		1.15		1.25
			$I_{OUT}=800mA$		1.18		1.28
			$I_{OUT}=1A$		1.22		1.35
Thermal Regulation		$T_a=25^{\circ}C, 30ms$ Pulse		0.01	0.10	%/W	
Thermal Shutdown	OTP			150		$^{\circ}C$	

■ ELECTRICAL CHARACTERISTICS(Cont.)

For LD2117/A-3.3

PARAMETER	SYMBOL	TEST CONDITIONS	MIN.	TYP.	MAX.	UNIT
Output Voltage	V_{OUT}	$V_{IN}=5.3V, I_{OUT}=10mA, T_J=25^{\circ}C$	3.267	3.300	3.333	V
Output Voltage	V_{OUT}	$V_{IN}=4.75$ to 10V LD2117 : $I_{OUT}=0\sim 800mA$ LD2117A : $I_{OUT}=0\sim 1000mA$	3.267	3.300	3.333	V
Line Regulation	ΔV_{OUT}	$V_{IN}=4.75$ to 15V, $I_{OUT}=0mA$		1	6	mV
Load Regulation	ΔV_{OUT}	$V_{IN}=4.75V$ LD2117 : $I_{OUT}=0\sim 800mA$ LD2117A : $I_{OUT}=0\sim 1000mA$		1	10	mV
Temperature stability	ΔV_{OUT}			0.5		%
Long Term Stability	ΔV_{OUT}	1000 hrs, $T_J=125^{\circ}C$		0.3		%
Operating Input Voltage	V_{IN}	$I_{OUT}=100mA$			15	V
Quiescent Current	I_Q	$V_{IN}\leq 15V$		0.35	0.5	mA
Current Limit	I_{LIMIT}	$V_{IN}=8.3V, T_J=25^{\circ}C$	LD2117	800		mA
			LD2117A	1000		
Output Noise Voltage	e_N	$B=10Hz$ to 10KHz, $T_J=25^{\circ}C$		100		μV
Supply Voltage Rejection	SVR	$I_{OUT}=40mA, f=120Hz, T_J=25^{\circ}C,$ $V_{IN}=6.3V, V_{RIPPLE}=1V_{pp}$	75			dB
Dropout Voltage	V_D		$I_{OUT}=100mA$	1.05	1.15	V
			$I_{OUT}=500mA$	1.15	1.25	
			$I_{OUT}=800mA$	1.18	1.28	
			$I_{OUT}=1A$	1.22	1.35	
Thermal Regulation		$T_A=25^{\circ}C, 30ms$ Pulse		0.01	0.10	%/W
Thermal Shutdown	OTP			150		$^{\circ}C$

For LD2117/A-3.6

PARAMETER	SYMBOL	TEST CONDITIONS	MIN.	TYP.	MAX.	UNIT
Output Voltage	V_{OUT}	$V_{IN}=5.6V, I_{OUT}=10mA, T_J=25^{\circ}C$	3.564	3.600	3.636	V
Output Voltage	V_{OUT}	$V_{IN}=5$ to 10V LD2117 : $I_{OUT}=0\sim 800mA$ LD2117A : $I_{OUT}=0\sim 1000mA$	3.564	3.600	3.636	V
Line Regulation	ΔV_{OUT}	$V_{IN}=5$ to 15V, $I_{OUT}=0mA$		1	6	mV
Load Regulation	ΔV_{OUT}	$V_{IN}=5V$ LD2117 : $I_{OUT}=0\sim 800mA$ LD2117A : $I_{OUT}=0\sim 1000mA$		1	10	mV
Temperature stability	ΔV_{OUT}			0.5		%
Long Term Stability	ΔV_{OUT}	1000 hrs, $T_J=125^{\circ}C$		0.3		%
Operating Input Voltage	V_{IN}	$I_{OUT}=100mA$			15	V
Quiescent Current	I_Q	$V_{IN}\leq 15V$		0.35	0.5	mA
Current Limit	I_{LIMIT}	$V_{IN}=8.6V, T_J=25^{\circ}C$	LD2117	800		mA
			LD2117A	1000		
Output Noise Voltage	e_N	$B=10Hz$ to 10KHz, $T_J=25^{\circ}C$		100		μV
Supply Voltage Rejection	SVR	$I_{OUT}=40mA, f=120Hz, T_J=25^{\circ}C,$ $V_{IN}=6.6V, V_{RIPPLE}=1V_{pp}$	75			dB
Dropout Voltage	V_D		$I_{OUT}=100mA$	1.05	1.15	V
			$I_{OUT}=500mA$	1.15	1.25	
			$I_{OUT}=800mA$	1.18	1.28	
			$I_{OUT}=1A$	1.22	1.35	
Thermal Regulation		$T_A=25^{\circ}C, 30ms$ Pulse		0.01	0.10	%/W
Thermal Shutdown	OTP			150		$^{\circ}C$

■ ELECTRICAL CHARACTERISTICS(Cont.)

For LD2117/A-5.0

PARAMETER	SYMBOL	TEST CONDITIONS	MIN.	TYP.	MAX.	UNIT
Output Voltage	V_{OUT}	$V_{IN}=7V, I_{OUT}=10mA, T_J=25^{\circ}C$	4.950	5.000	5.050	V
Output Voltage	V_{OUT}	$V_{IN}=6.5$ to 15V LD2117 : $I_{OUT}=0\sim 800mA$ LD2117A : $I_{OUT}=0\sim 1.0A$	4.950	5.000	5.050	V
Line Regulation	ΔV_{OUT}	$V_{IN}=6.5$ to 15V, $I_{OUT}=0mA$		1	6	mV
Load Regulation	ΔV_{OUT}	$V_{IN}=6.5V$ LD2117 : $I_{OUT}=0\sim 800mA$ LD2117A : $I_{OUT}=0\sim 1000mA$		1	15	mV
Temperature stability	ΔV_{OUT}			0.5		%
Long Term Stability	ΔV_{OUT}	1000 hrs, $T_J=125^{\circ}C$		0.3		%
Operating Input Voltage	V_{IN}	$I_{OUT}=100mA$			15	V
Quiescent Current	I_Q	$V_{IN}\leq 15V$		0.35	0.5	mA
Current Limit	I_{LIMIT}	$V_{IN}=10V, T_J=25^{\circ}C$	LD2117	800		mA
			LD2117A	1000		
Output Noise Voltage	e_N	$B=10Hz$ to 10KHz, $T_J=25^{\circ}C$		100		μV
Supply Voltage Rejection	SVR	$I_{OUT}=40mA, f=120Hz, T_J=25^{\circ}C,$ $V_{IN}=8V, V_{RIPPLE}=1V_{pp}$	75			dB
Dropout Voltage	V_D		$I_{OUT}=100mA$	1.05	1.15	V
			$I_{OUT}=500mA$	1.15	1.25	
			$I_{OUT}=800mA$	1.18	1.28	
			$I_{OUT}=1A$	1.22	1.35	
Thermal Regulation		$T_A=25^{\circ}C, 30ms$ Pulse		0.01	0.10	%/W
Thermal Shutdown	OTP			150		$^{\circ}C$

For LD2117/A-ADJ

PARAMETER	SYMBOL	TEST CONDITIONS	MIN.	TYP.	MAX.	UNIT
Reference Voltage	V_{REF}	$V_{IN}-V_{OUT}=2V, I_{OUT}=10mA, T_J=25^{\circ}C$	1.125	1.25	1.375	V
Reference Voltage	V_{REF}	$V_{IN}-V_{OUT}=1.4\sim 10V$ LD2117A : $I_{OUT}=10\sim 1000mA$	1.125	1.25	1.375	V
Line Regulation	ΔV_{OUT}	$V_{IN}-V_{OUT}=1.5$ to 13.75V, $I_{OUT}=10mA$		0.035	0.2	%
Load Regulation	ΔV_{OUT}	$V_{IN}-V_{OUT}=3V$ LD2117 : $I_{OUT}=10\sim 800mA$ LD2117A : $I_{OUT}=10\sim 1000mA$		0.1	0.4	%
Temperature stability	ΔV_{OUT}			0.50		%
Long Term Stability	ΔV_{OUT}	1000 hrs, $T_J=125^{\circ}C$		0.3		%
Operating Input Voltage	V_{IN}				15	V
Adjustment Pin Current	I_{ADJ}	$V_{IN}\leq 15V$		7	10	μA
Adjustment Pin Current Change	ΔI_{ADJ}	$V_{IN}-V_{OUT}=1.4\sim 10V,$ LD2117A : $I_{OUT}=10\sim 1000mA$		0.3	2	μA
Minimum Load Current	$I_{O(MIN)}$	$V_{IN}=15V$		0.3	1	mA
Current Limit	I_{LIMIT}	$V_{IN}-V_{OUT}=5V, T_J=25^{\circ}C$	LD2117	800		mA
			LD2117A	1000		
Output Noise (%Vo)	e_N	$B=10Hz$ to 10KHz, $T_J=25^{\circ}C$		0.003		%
Supply Voltage Rejection	SVR	$I_{OUT}=40mA, f=120Hz, T_J=25^{\circ}C,$ $V_{IN}-V_{OUT}=3V, V_{RIPPLE}=1V_{pp}$	75			dB
Dropout Voltage	V_D		$I_{OUT}=100mA$	1.05	1.15	V
			$I_{OUT}=500mA$	1.15	1.25	
			$I_{OUT}=800mA$	1.18	1.28	
			$I_{OUT}=1A$	1.22	1.35	
Thermal Regulation		$T_A=25^{\circ}C, 30ms$ Pulse		0.01	0.10	%/W
Thermal Shutdown	OTP			150		$^{\circ}C$

APPLICATION NOTE of LD2117/A ADJUSTABLE

The **LD2117/A** adjustable has a reference voltage of between the OUT and ADJ pins. I_{ADJ} is $7\mu\text{A}$ typ. ($10\mu\text{A}$ max.) and ΔI_{ADJ} is $0.3\mu\text{A}$ typ. ($2\mu\text{A}$ max.).

R_1 is normally fixed to $1.2\text{k}\Omega$.

From figure 4 we obtain:

$$V_{OUT} = V_{REF} + R_2(I_{ADJ} + I_{R1}) = V_{REF} + R_2(I_{ADJ} + V_{REF}/R_1) = V_{REF}(1 + R_2/R_1) + R_2 \times I_{ADJ}$$

Usually R_2 value is in the range of few $\text{k}\Omega$, so the $R_2 \times I_{ADJ}$ product could be neglected; then the above expression becomes: $V_{OUT} = V_{REF}(1 + R_2/R_1)$

For better load regulation, realize a good Kelvin connection of R_1 and R_2 is important. Particularly R_1 connection must be realized very close to OUT and ADJ pin, while R_2 ground connection must be placed as near as possible to the negative Load pin. Ripple rejection can be improved by introducing a $10\mu\text{F}$ electrolytic capacitor placed in parallel to the R_2 resistor (See Fig. 5)

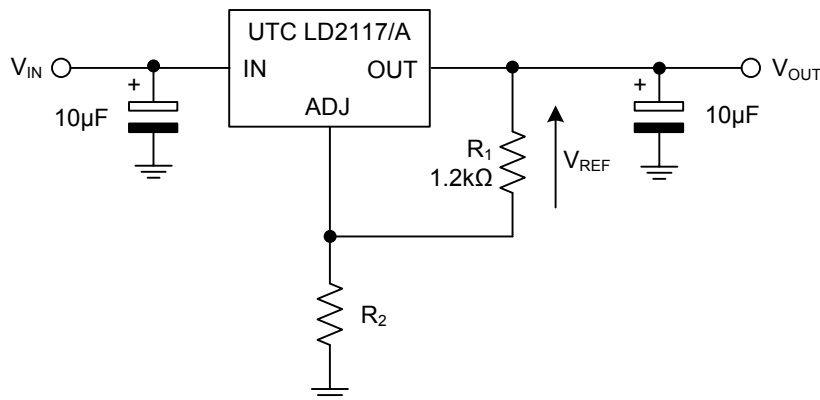


Fig.4 Adjustable Output Voltage Application Circuit

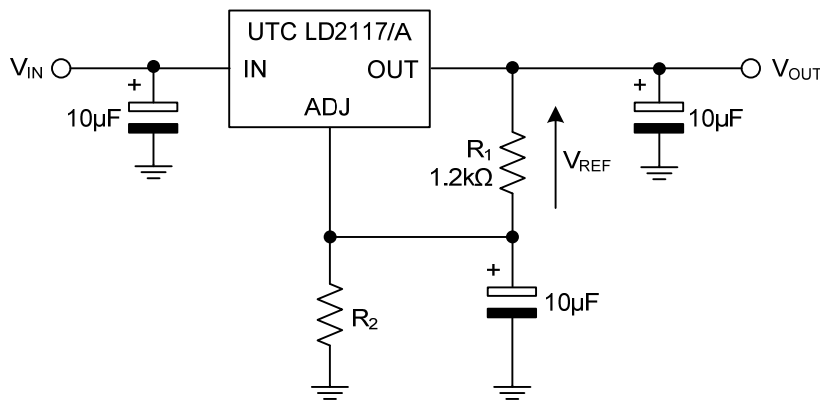
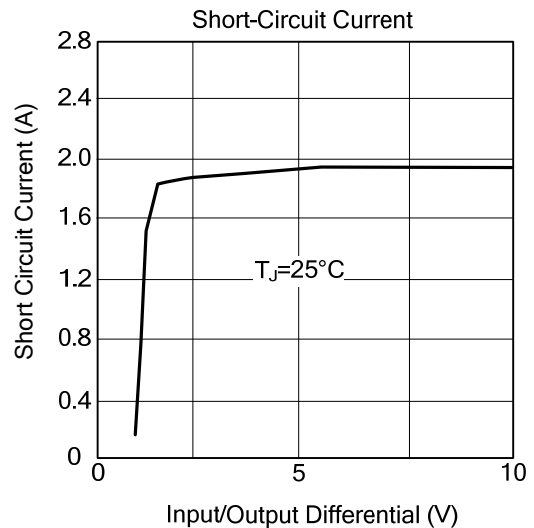
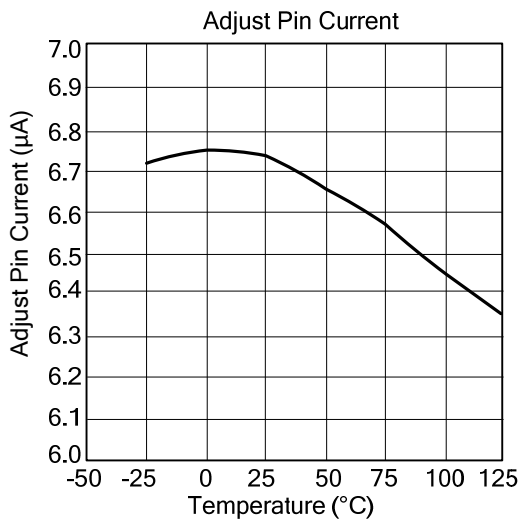
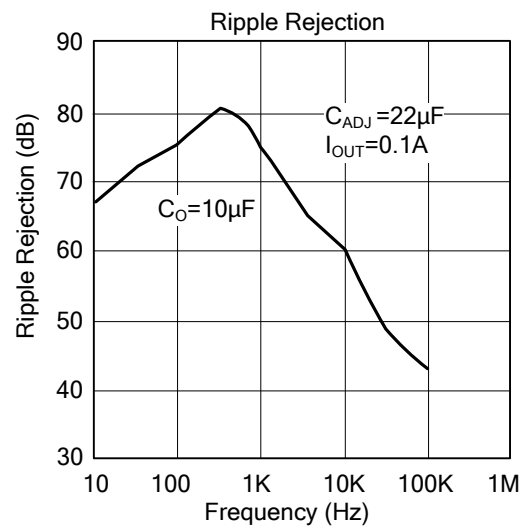
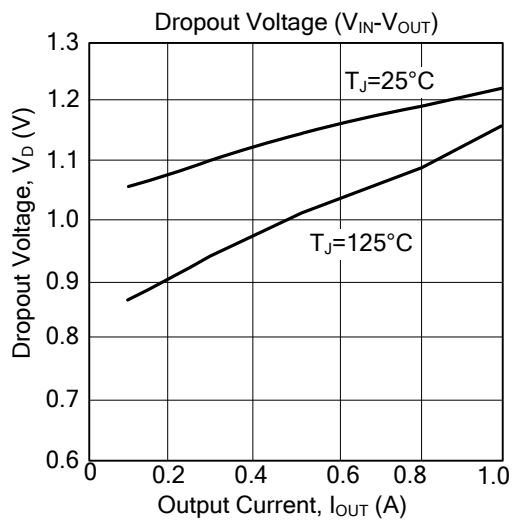
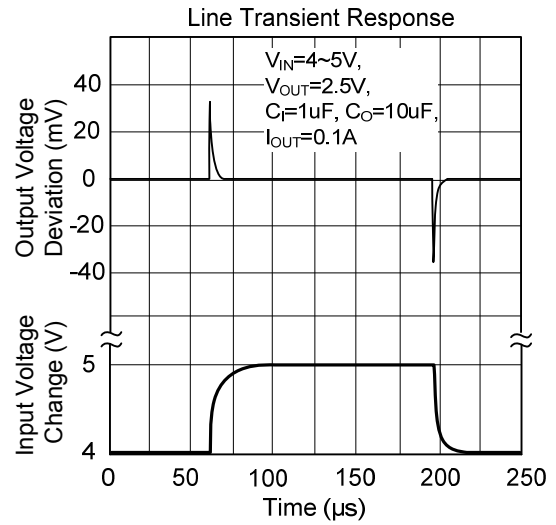
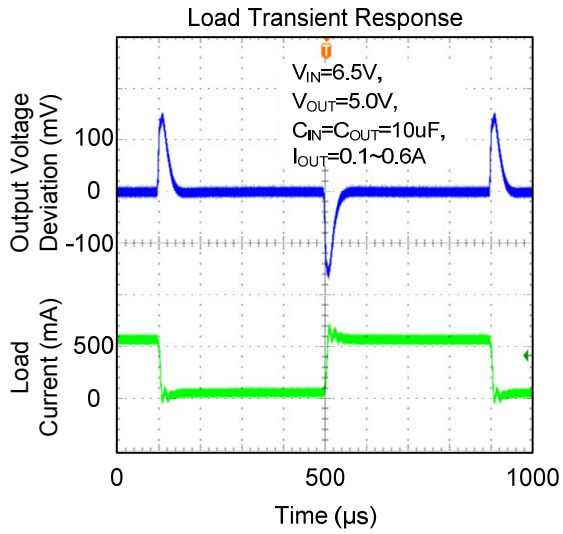
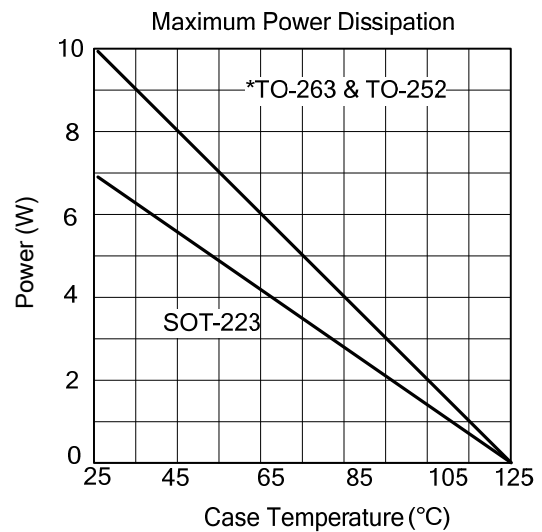
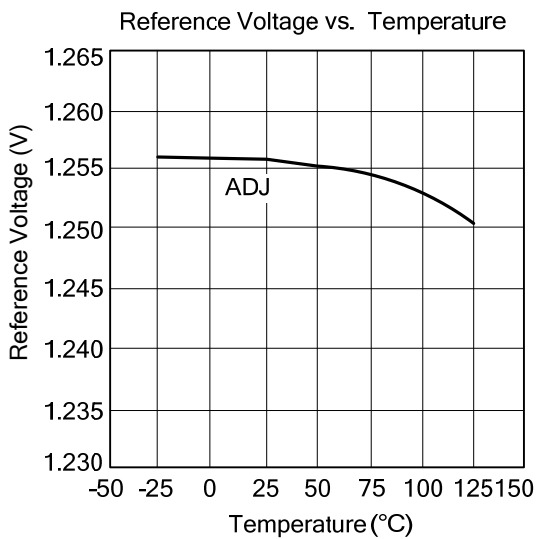
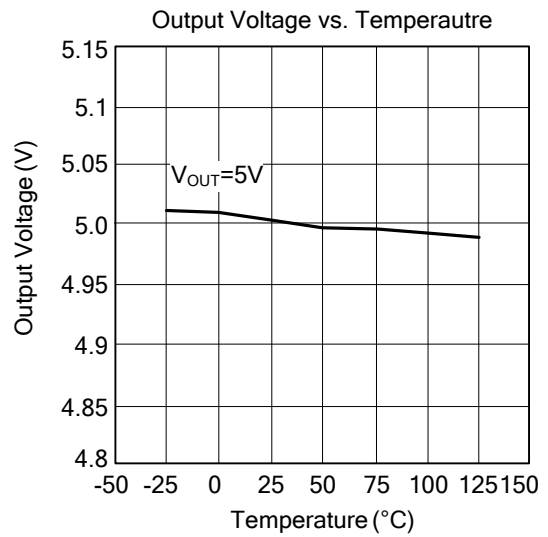
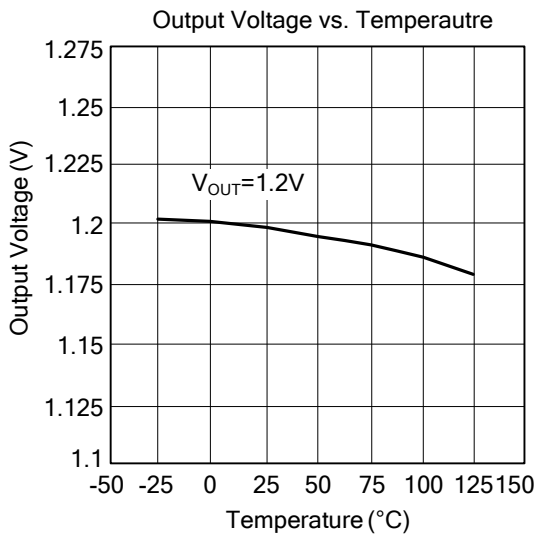
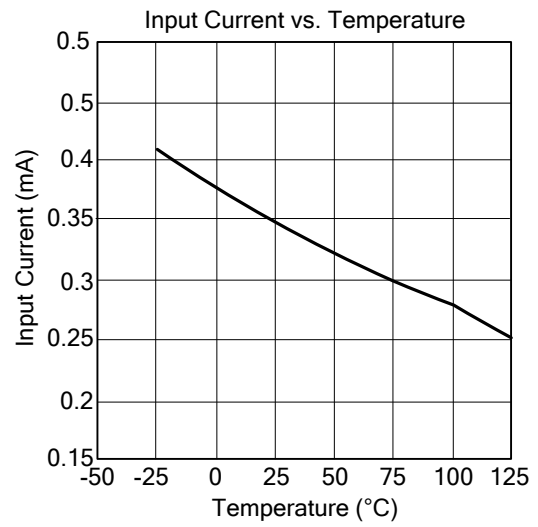
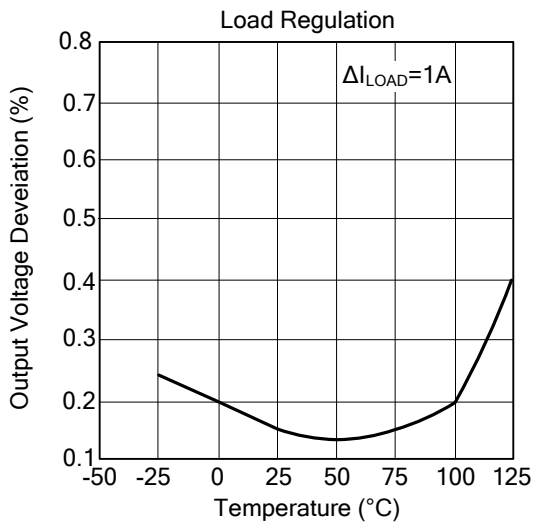


Fig.5 Adjustable Output Voltage Application with improved Ripple Rejection.

TYPICAL CHARACTERISTICS



■ TYPICAL CHARACTERISTICS(Cont.)



UTC assumes no responsibility for equipment failures that result from using products at values that exceed, even momentarily, rated values (such as maximum ratings, operating condition ranges, or other parameters) listed in products specifications of any and all UTC products described or contained herein. UTC products are not designed for use in life support appliances, devices or systems where malfunction of these products can be reasonably expected to result in personal injury. Reproduction in whole or in part is prohibited without the prior written consent of the copyright owner. The information presented in this document does not form part of any quotation or contract, is believed to be accurate and reliable and may be changed without notice.