

# IS31AP2031

## CLASS-G AUDIO POWER AMPLIFIER WITH INTEGRATED CHARGE PUMP CONVERTER

January 2012

### GENERAL DESCRIPTION

The IS31AP2031 is a Class-G audio power amplifier with automatic gain control. It drives up to 2.0W (10% THD+N) into an 8Ω speaker from a 4.2V  $V_{DD}$  supply.

The IS31AP2031 provides low cost, space saving solution for portable equipments which need audio output with higher power by boosting up supply voltage. Its external components just include a few capacitors and resistors (no inductor).

The IS31AP2031 use fully differential design to reduce RF noise. The IS31AP2031 integrates de-pop circuitry to reduce pop and click noise during power on/off or shutdown enable operation. The IS31AP2031 also integrates thermal and short circuit protection function.

IS31AP2031 is available in QFN-20 (3mm × 3mm) package. It operates from 2.7V to 4.5V over the temperature range of -40°C to +85°C.

### FEATURES

- Operates from 2.7V to 4.5V
- 2.0W into an 8Ω load from a 4.2V supply(10% THD+N)
- 4 gain levels: 12dB, 16dB, 24dB, 27.5dB
- AGC function
- Pulse Count Control serial interface
- 8kV HBM ESD
- Thermal and short-circuit protection
- Integrated Click-and-Pop suppression circuitry
- Available in QFN-20(3mm × 3mm) package

### APPLICATIONS

- Smart phones
- Cellular phones
- PDAs
- GPS
- Portable electronics

### TYPICAL APPLICATION CIRCUIT

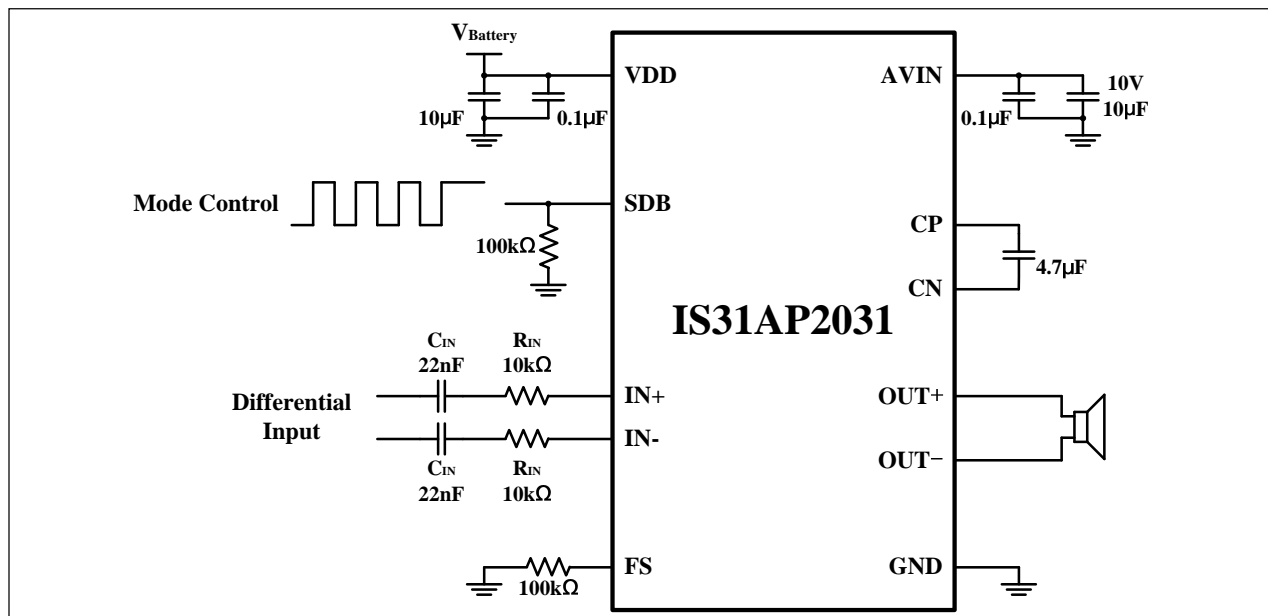
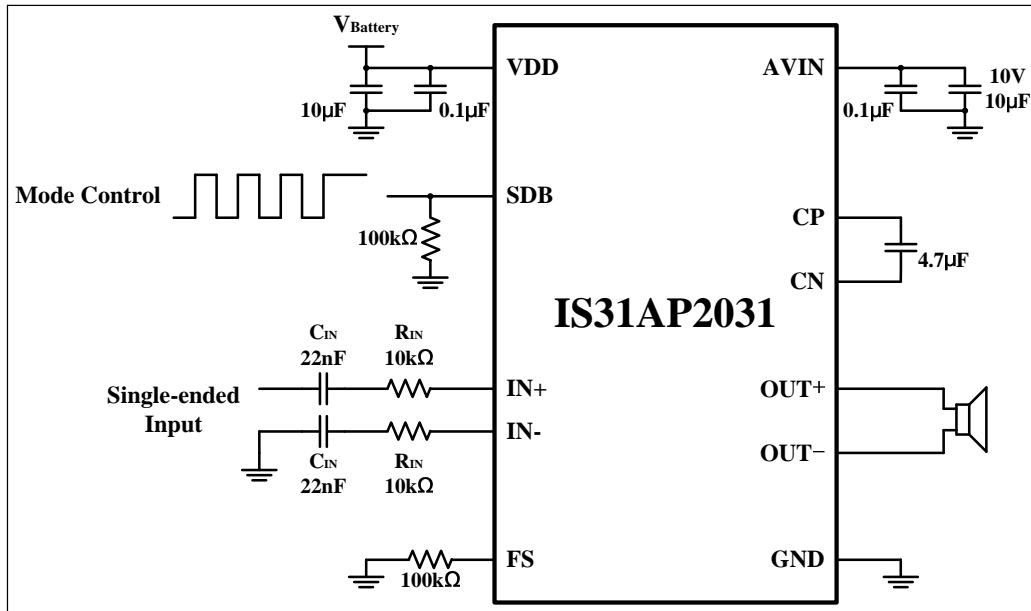


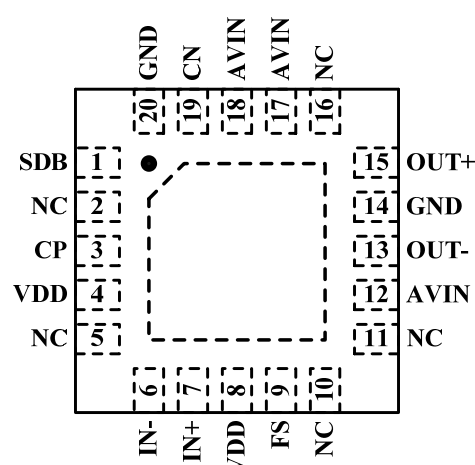
Figure 1 Typical Application Circuit (Differential Input)



**Figure 2** Typical Application Circuit (Single-ended Input)

# IS31AP2031

## PIN CONFIGURATION

Package	Pin Configuration (Top View)
QFN-20	

## PIN DESCRIPTION

No.	Pin	Description
1	SDB	Shutdown pin. Active low.
2,5,10,11,16	NC	No connection.
3	CP	Positive input for external flying cap.
4,8	VDD	Power supply.
6	IN-	Negative audio input.
7	IN+	Positive audio input.
9	FS	Pull 100kΩ resistor to ground.
12,17,18	AVIN	Amplifier supply voltage.
13	OUT-	Negative audio output.
14,20	GND	GND.
15	OUT+	Positive audio output.
19	CN	Negative input for external flying cap.
	Thermal Pad	Connect to GND.

Copyright © 2011 Integrated Silicon Solution, Inc. All rights reserved. ISSI reserves the right to make changes to this specification and its products at any time without notice. ISSI assumes no liability arising out of the application or use of any information, products or services described herein. Customers are advised to obtain the latest version of this device specification before relying on any published information and before placing orders for products. Integrated Silicon Solution, Inc. does not recommend the use of any of its products in life support applications where the failure or malfunction of the product can reasonably be expected to cause failure of the life support system or to significantly affect its safety or effectiveness. Products are not authorized for use in such applications unless Integrated Silicon Solution, Inc. receives written assurance to its satisfaction, that:

- the risk of injury or damage has been minimized;
- the user assume all such risks; and
- potential liability of Integrated Silicon Solution, Inc is adequately protected under the circumstances



# IS31AP2031

**ORDERING INFORMATION**  
**INDUSTRIAL RANGE: -40°C TO +85°C**

---

Order Part No.	Package	QTY/Reel
IS31AP2031-QFLS2-TR	QFN-20, Lead-free	2500

---



# IS31AP2031

## ABSOLUTE MAXIMUM RATINGS

Supply voltage, $V_{DD}$	-0.3V ~ +6.0V
Voltage at any input pin	-0.3V ~ $V_{DD}+0.3V$
Maximum junction temperature, $T_{JMAX}$	150°C
Storage temperature range, $T_{STG}$	-65°C ~ +150°C
Operating temperature range, $T_A$	-40°C ~ +85°C
ESD (HBM)	8kV

### Note:

Stresses beyond those listed under “Absolute Maximum Ratings” may cause permanent damage to the device. These are stress ratings only and functional operation of the device at these or any other condition beyond those indicated in the operational sections of the specifications is not implied. Exposure to absolute maximum rating conditions for extended periods may affect device reliability.

## DC CHARACTERISTICS

$T_A = 25^\circ\text{C}$ ,  $V_{DD} = 2.7V \sim 4.5V$ , unless otherwise noted. Typical value are  $T_A = +25^\circ\text{C}$ ,  $V_{DD} = 3.6V$ .

Symbol	Parameter	Condition	Min.	Typ.	Max.	Unit
$V_{DD}$	Supply voltage		2.7		4.5	V
$I_{DD}$	Quiescent current	$V_{DD} = V_{AVIN} = 3.6V$ , no load		5		mA
$I_{SD}$	Shutdown current	$V_{SDB} = 0V$			1	$\mu\text{A}$
$F_{OSC}$	Clock frequency			350		kHz
$V_{AVIN}$	Charge pump output	No load		5.7		V
$t_{ON}$	Charge pump soft start time			600		$\mu\text{s}$
$ V_{OS} $	Output offset voltage			3		mV
$R_{IN}$	Input resistor	Mode 1, Mode 2		30		k $\Omega$
		Mode 3, Mode 4		5		
$F_{SW}$	Switching frequency			250		kHz
$V_{IH}$	Input logic high voltage		1.4			V
$V_{IL}$	Input logic low voltage				0.4	V
$I_{IH}$	Input logic high current	$V_{DD} = 5.5V$ , $V_I = 5.8V$		2.1		$\mu\text{A}$
$I_{IL}$	Input logic low current	$V_{DD} = 5.5V$ , $V_I = 0.3V$		0.8		$\mu\text{A}$
$T_{OTP}$	Over temperature protection	(Note 1)		150		$^\circ\text{C}$
$T_{HYS}$	Hysteresis temperature	(Note 1)		50		$^\circ\text{C}$

# IS31AP2031

## AC CHARACTERISTICS (Note 1)

$T_A = 25^\circ\text{C}$ ,  $V_{DD} = 3.6\text{V}$ , unless otherwise noted.

Symbol	Parameter	Condition	Min.	Typ.	Max.	Unit
Po	Output power	THD+N = 10%, f = 1kHz $R_L = 8\Omega + 33\mu\text{H}$	$V_{DD} = 3.6\text{V}$	1.72		W
			$V_{DD} = 4.2\text{V}$	2.0		
		THD+N = 1%, f = 1kHz $R_L = 8\Omega + 33\mu\text{H}$	$V_{DD} = 3.6\text{V}$	1.38		
			$V_{DD} = 4.2\text{V}$	1.70		
THD+N	Total harmonic distortion plus noise	$V_{DD} = 3.6\text{V}$ , $P_O = 0.5\text{W}$ , $R_L = 8\Omega + 33\mu\text{H}$ f = 1kHz		0.33		%
		$V_{DD} = 4.2\text{V}$ , $P_O = 1.0\text{W}$ , $R_L = 8\Omega + 33\mu\text{H}$ f = 1kHz		0.53		
$t_{WU}$	Wake-up time from shutdown			35		ms
PSRR	Power supply rejection ratio	$V_{P-P} = 200\text{mV}$ , $R_L = 8\Omega$ , f = 217Hz		-74		dB
		$V_{P-P} = 200\text{mV}$ , $R_L = 8\Omega$ , f = 1kHz		-68		
$t_{AT}$	Attack time			10		ms
$t_{RL}$	Release time			1.2		s
$A_{max}$	Max attenuation gain			-8		dB
$t_{LO}$	Mode control low time		0.75		10	$\mu\text{s}$
$t_{HI}$	Mode control high time		0.75		10	$\mu\text{s}$
$t_{OFF}$	CTRL off time for shutdown		150			$\mu\text{s}$

Note 1: Guaranteed by design.

## TYPICAL PERFORMANCE CHARACTERISTICS

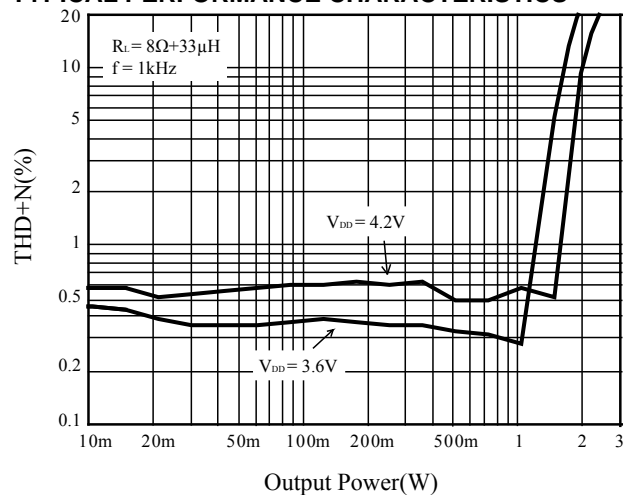


Figure 3 THD+N vs. Output Power

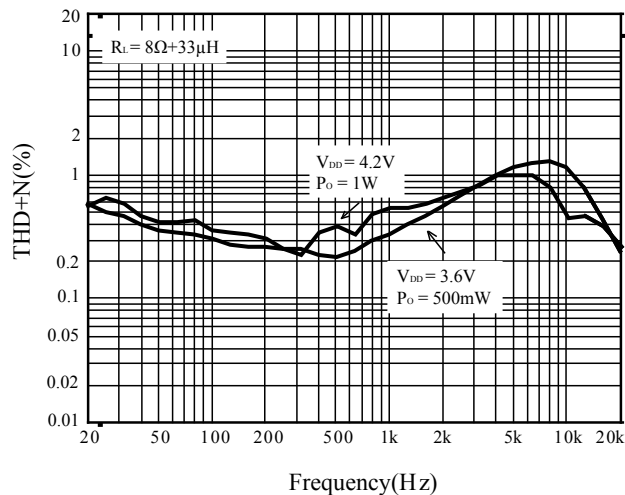


Figure 4 THD+N vs. Frequency

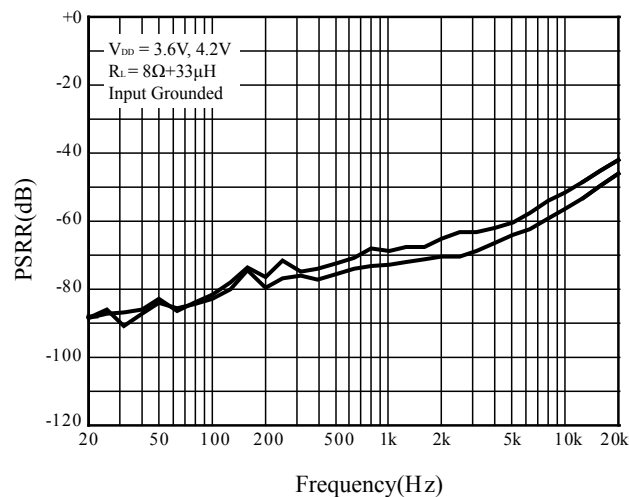


Figure 5 PSRR vs. Frequency

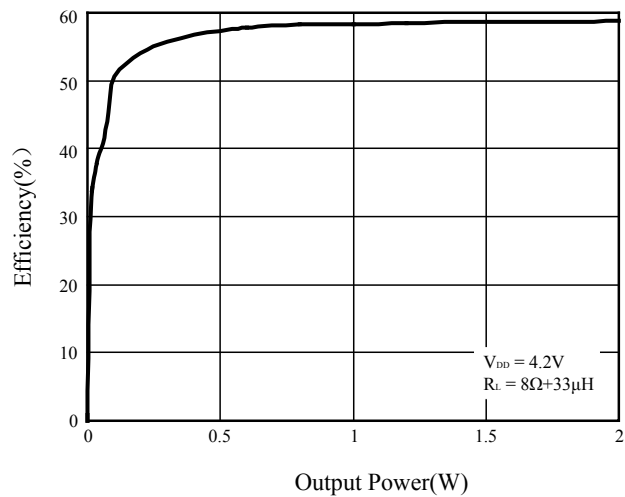


Figure 6 Efficiency vs. Output Power

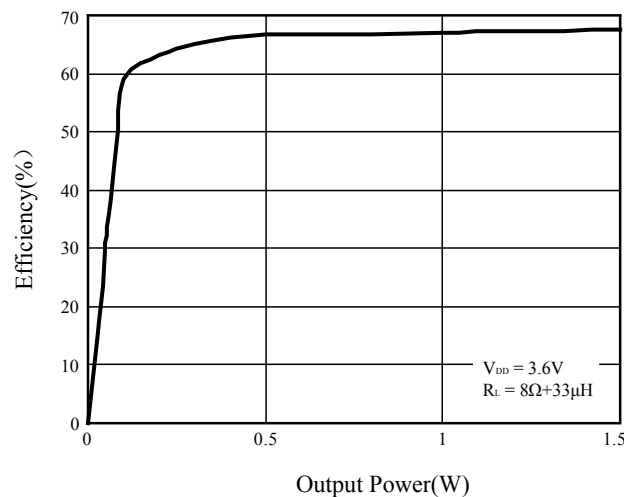


Figure 7 Efficiency vs. Output Power

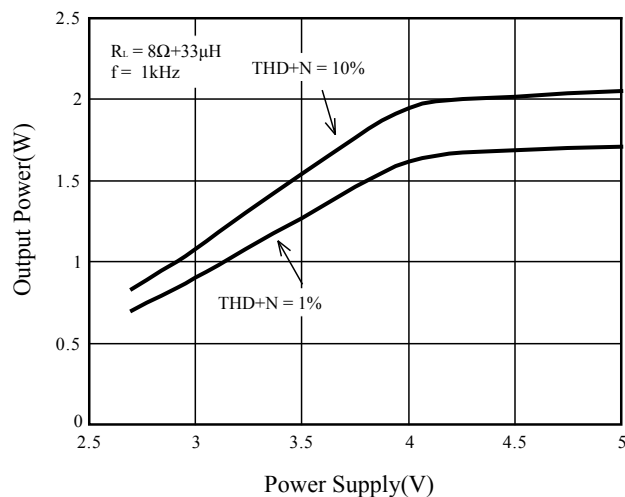


Figure 8 Output Power vs. Power Supply

# IS31AP2031

## APPLICATION INFORMATION

### GENERAL DESCRIPTION

The IS31AP2031 is a Class-G audio power amplifier with an integrated charge pump converter. It consists of a charge pump and a fully differential audio amplifier. The operating mode and gain are controlled by Pulse Count Control (PCC wire) serial interface.

### AGC FUNCTION

This is the function to control the output in order to obtain a maximum output level without distortion when an excessive input is applied which would otherwise cause clipping at the differential signal output. That is, with the AGC function, IS31AP2031 lowers the gain of the digital amplifier to an appropriate value so as not to cause clipping at the differential signal output.

The attack time is a time interval that gains falls down with a big signal input enough. And the release time is a time from target attenuation to no AGC attenuation.

Assuming no limitation by the power supply, the audio output signal would be as in Figure 9.

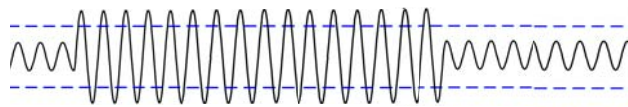


Figure 9 Assuming no Restriction from Power Supply, the Audio Output Signal

In normal operation without the AGC, the output is distorted because of the restriction from power supply, as shown in Figure 10.

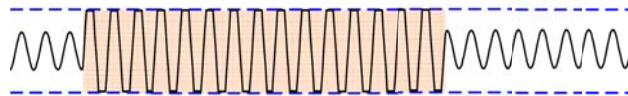


Figure 10 AGC Function Off

With the AGC function of SN2145A, the optimum output power can be obtained along with the minimal distortion. The Figure 11 shows the outcome of AGC function.

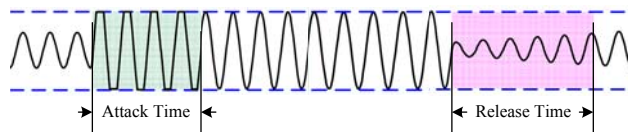


Figure 11 AGC Function On

### OPERATING MODE

The operating mode and gain are controlled by Pulse Count Control (PCC wire) serial interface. The interface records rising edges of the SDB pin and decodes them into 4 operating mode (Figure 12).

If the SDB pin is pulled to high, receiving one rising edge, the IC starts up and operates in Mode 1. If the SDB pin receives two rising edges, the IC operates in

Mode 2. If the SDB pin receives three rising edges, the IC operates in Mode 3. If the SDB pin receives four rising edges, the IC operates in Mode 4.

Mode 1—12dB, AGC off.

Mode 2—16dB, AGC on.

Mode 3—24dB, AGC off.

Mode 4—27.5, AGC on.

If the SDB pin is pulled to low last at least 150μs, the IC will be into shutdown mode.

The gain also can be controlled by the input resistors  $R_{IN}$ .

Mode 1:  $A_V = 160k\Omega / (30k\Omega + R_{IN})$

Mode 2:  $A_V = 240k\Omega / (30k\Omega + R_{IN})$

Mode 3:  $A_V = 240k\Omega / (5k\Omega + R_{IN})$

Mode 4:  $A_V = 360k\Omega / (5k\Omega + R_{IN})$

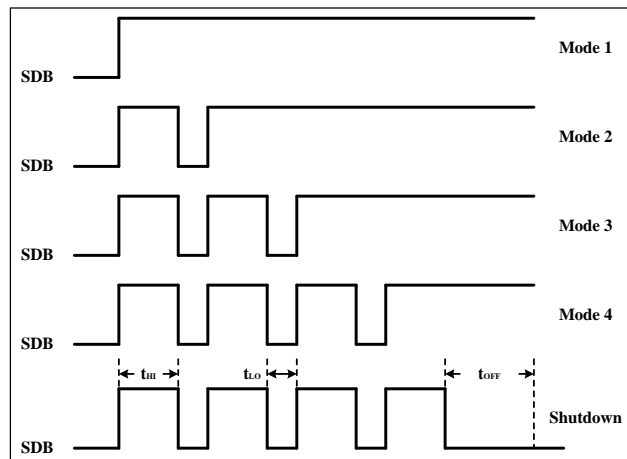


Figure 12 Operating Mode Control

### CHARGE PUMP

The charge pump converter boosts input supply voltage ( $V_{DD}$ ) up to a 5.7V output voltage ( $V_{OUT}$ ).  $V_{OUT}$  is the supply for the Class-G amplifier.

The charge pump converter only needs three external components: supply decoupling capacitor, output bypass capacitor and flying capacitor.

Choose low ESR capacitors to ensure the best operating performance and place the capacitors as close as possible to the IS31AP2031.

### FULLY DIFFERENTIAL AUDIO AMPLIFIER

The fully differential amplifier consists of a differential amplifier and a common-mode amplifier. The differential amplifier ensures that the amplifier outputs a differential voltage on the output that is equal to the differential input times the gain. The common-mode feedback ensures that the common-mode voltage at the output is biased around  $V_{DD}/2$  regardless of the common-mode voltage at the input.



# IS31AP2031

The fully differential IS31AP2031 can still be used with a single-ended input; however, the IS31AP2031 should be used with differential inputs when in a noisy environment, like a wireless handset, to ensure maximum noise rejection.

## ADVANTAGES OF FULLY DIFFERENTIAL AMPLIFIERS

The fully differential amplifier does not require a bypass capacitor. This is because any shift in the mid-supply affects both positive and negative channels equally and cancels at the differential output.

GSM handsets save power by turning on and shutting off the RF transmitter at a rate of 217Hz. The transmitted signal is picked-up on input and output traces. The fully differential amplifier cancels the noise signal much better than the typical audio amplifier.

## INPUT CAPACITORS ( $C_{IN}$ )

The input capacitors and input resistors form a high-pass filter with the corner frequency,  $f_c$ , determined in Equation (1) when IS31AP2031 operates in Mode 1 and Mode 2.

$$f_c = \frac{1}{2\pi(R_{IN} + 30k\Omega)C_{IN}} \quad (1)$$

Follow the Equation (2) when IS31AP2031 operates in Mode 3 and Mode 4.

$$f_c = \frac{1}{2\pi(R_{IN} + 5k\Omega)C_{IN}} \quad (2)$$

The value of the input capacitor is important to consider as it directly affects the bass (low frequency) performance of the circuit. Speakers in wireless phones cannot usually respond well to low frequencies, so the corner frequency can be set to block low frequencies in this application.

If the corner frequency is within the audio band, the capacitors should have a tolerance of  $\pm 10\%$  or better, because any mismatch in capacitance causes an impedance mismatch at the corner frequency and below.

## DESIGN NOTE

### COMPONENT SELECTION

The value and ESR of the output capacitor for charge pump will affect output ripple and transient performance. A X7R or X5R ceramic capacitor in  $10\mu\text{F}$  should be recommended. The flying capacitor should use a  $4.7\mu\text{F}$  X7R or X5R ceramic capacitor.

All the capacitors should support at least 10V.

### PCB LAYOUT

The decoupling capacitors should be placed close to the VDD pin and the output capacitors should be placed close to the AVIN pin. The flying capacitor should be placed close to the CN and CP pins. The input capacitors and input resistors should be placed close to the IN+ and IN- pins and the traces must be parallel to prevent noise. The traces of OUT+ and OUT- pins connected to the speaker should be as possible as short and wide. The recommended width is 0.5mm.

Trace width should be at least 0.75mm when the current reaches 1A. Trace width should be at least 1.0mm for the power supply and the ground plane. The thermal pad and the GND pin should connect directly to a strong common ground plane for heat sinking.

# IS31AP2031

## CLASSIFICATION REFLOW PROFILES

Profile Feature	Pb-Free Assembly
<b>Preheat &amp; Soak</b> Temperature min (T <sub>smin</sub> ) Temperature max (T <sub>smax</sub> ) Time (T <sub>smin</sub> to T <sub>smax</sub> ) (t <sub>s</sub> )	150°C 200°C 60-120 seconds
Average ramp-up rate (T <sub>smax</sub> to T <sub>p</sub> )	3°C/second max.
Liquidous temperature (T <sub>L</sub> ) Time at liquidous (t <sub>L</sub> )	217°C 60-150 seconds
Peak package body temperature (T <sub>p</sub> )*	Max 260°C
Time (t <sub>p</sub> )** within 5°C of the specified classification temperature (T <sub>c</sub> )	Max 30 seconds
Average ramp-down rate (T <sub>p</sub> to T <sub>smax</sub> )	6°C/second max.
Time 25°C to peak temperature	8 minutes max.

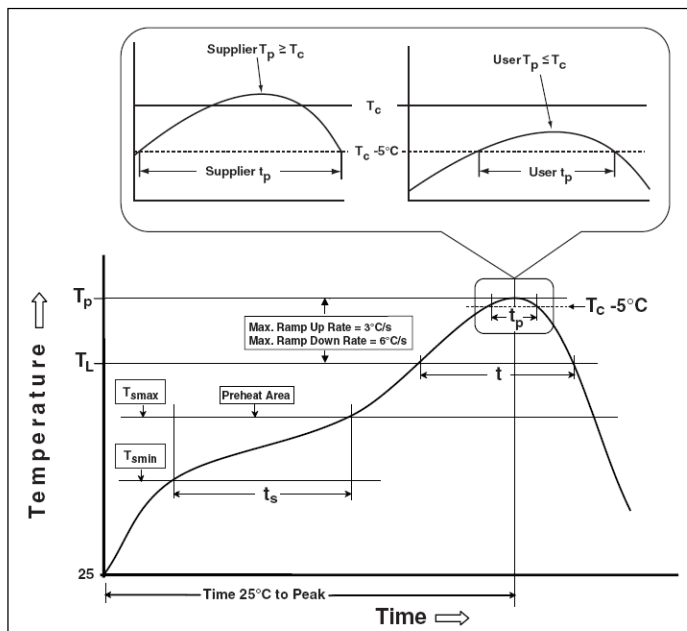
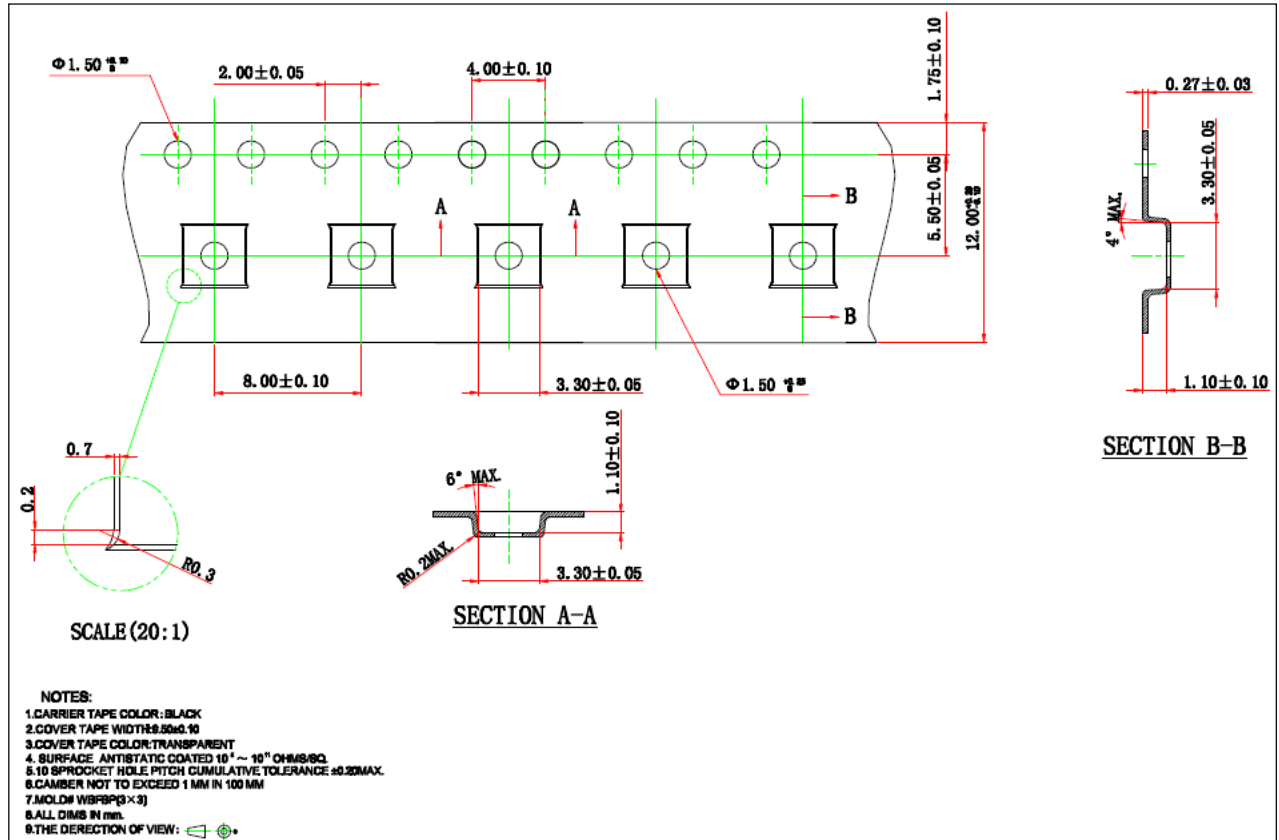


Figure 13 Classification Profile

# IS31AP2031

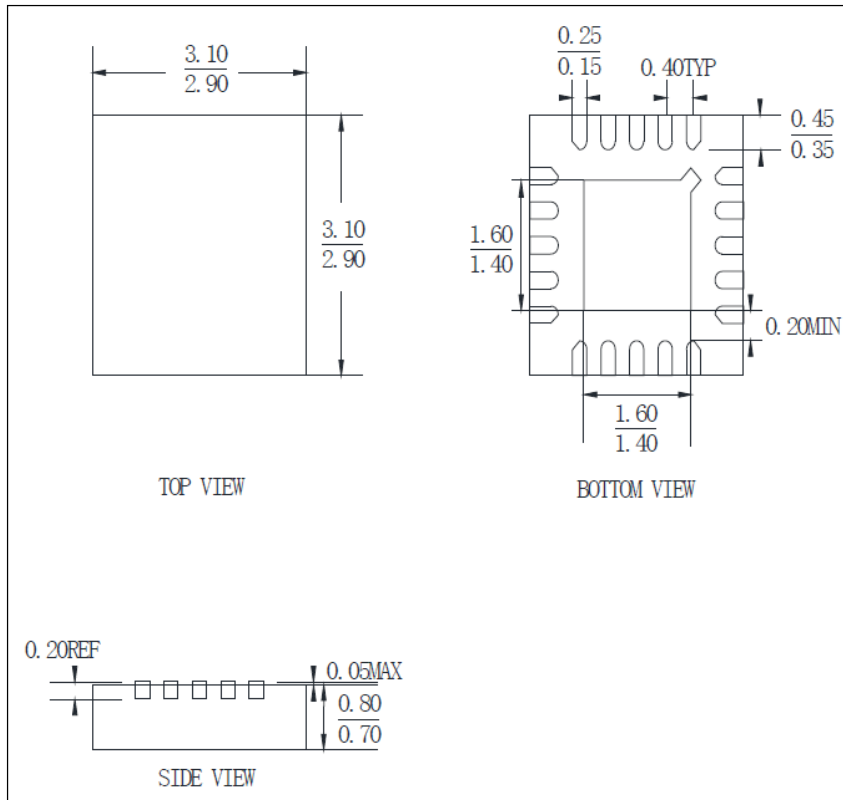
## TAPE AND REEL INFORMATION



# IS31AP2031

## PACKAGE INFORMATION

### QFN-20



**Note:** All dimensions in millimeters unless otherwise stated.