

*New Jersey Semi-Conductor Products, Inc.*

20 STERN AVE.  
 SPRINGFIELD, NEW JERSEY 07081  
 U.S.A.

TELEPHONE: (973) 376-2922  
 (212) 227-6005  
 FAX: (973) 376-8960

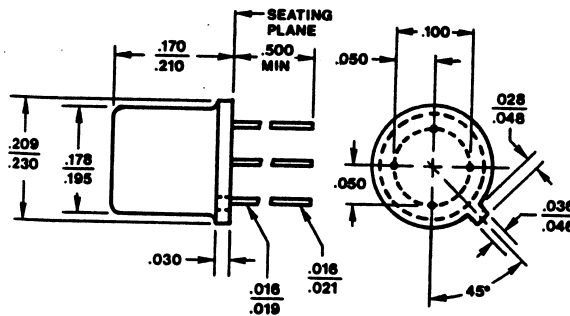
PARAMETERS

2N2901

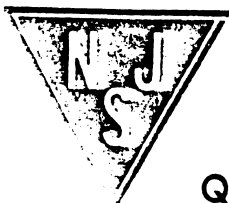
NPN MULTI-CHIP COMPOSITE TRANSISTOR PAIR

Description: NPN Multi-Chip Composite Transistor Pair

Mil/High-Rel? (Y/N).....	
V <sub>ceo</sub> Max.....	10
Min hFE.....	30
@I <sub>c</sub> (test).....	10m
@V <sub>CE</sub> (test) (V).....	1.0
I <sub>c</sub> Max.....	20m
f <sub>T</sub> Min (Hz).....	
PD Max. (W).....	360m
Mat.....	Silicon
Pkg Style.....	Can
Surface Mounted (Y/N).....	N
Pinout Equivalence Number.....	N/A



dim. in in.



Quality Semi-Conductors