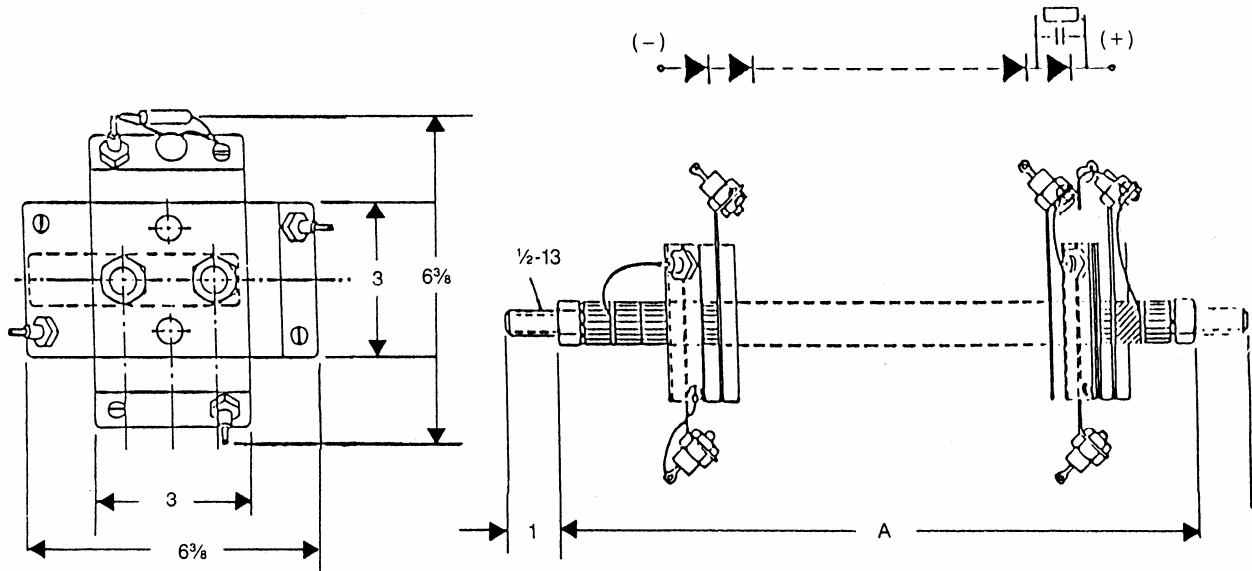
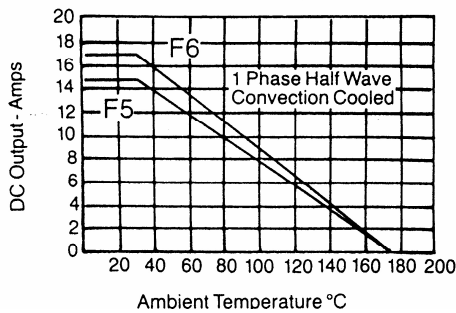


SERIES F5H1/F6H1

Silicon High Voltage Assembly



PIV (KV)	A IN	PART NO.	I <sub>s</sub> AMPS	PART NO.	I <sub>s</sub> AMPS
8	5.625	8F5H1	700	8F6H1	1200
12	6.750	12F5H1		12F6H1	
16	7.875	16F5H1		16F6H1	
20	9.000	20F5H1		20F6H1	
24	10.125	24F5H1		24F6H1	
28	11.250	28F5H1		28F6H1	
32	12.375	32F5H1		32F6H1	
36	13.500	36F5H1		36F6H1	
40	14.625	40F5H1		40F6H1	
44	15.750	44F5H1		44F6H1	
48	16.875	48F5H1		48F6H1	



CIRCUIT  
SURGE CURRENT  
PRV  
DC OUTPUT

SINGLE PHASE HALF WAVE  
SEE I<sub>s</sub>  
SEE TABLE  
SEE CURVES

(203) 467-2591 TEL  
(203) 469-5928 FAX  
Email: Info@ edal.com  
Internet: http://www.edal.com

**EDAL industries, inc.**

51 Commerce St. East Haven, CT 06512