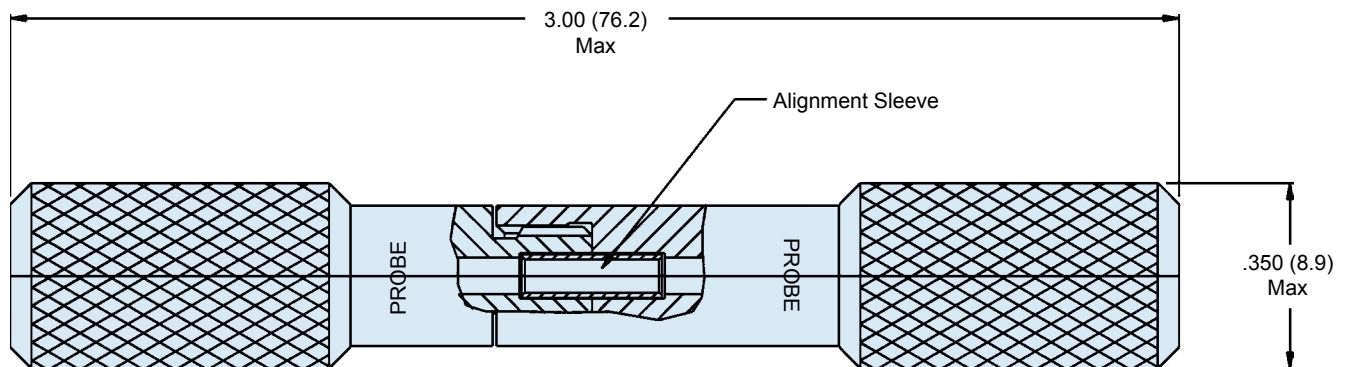
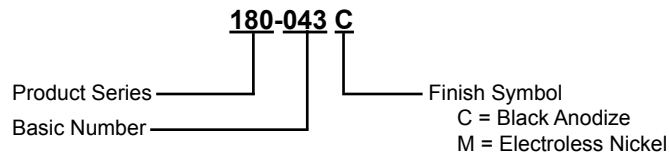


**180-043**  
**Feedthrough Probe Connector for**  
**MIL-DTL-38999 Series III Test Probe**



**U.S. PATENT 5960137**

**APPLICATION NOTES**

1. Metric dimensions (mm) are in parentheses and are for reference only.
2. Assembly to be identified with "Probe" and "Probe."
3. Material/Finish:  
Housing - Aluminum Alloy/See Part Number Development  
Alignment Sleeve - Zirconia Ceramic/N.A.  
Retaining Clips - Beryllium Copper/N.A.
4. Metric Dimensions (mm) are indicated in parentheses.