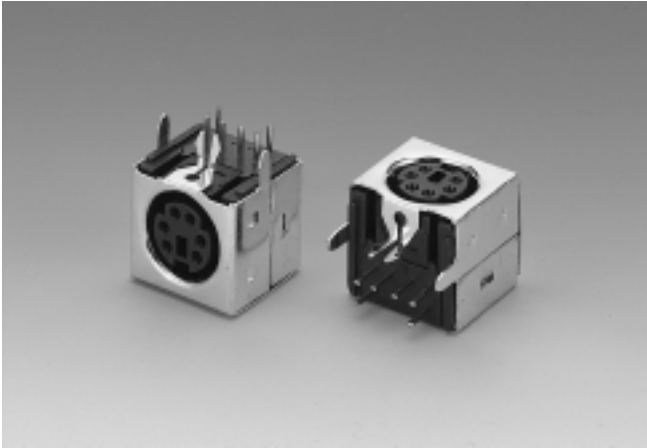


STANDARD MINI DIN CONNECTOR SERIES

(WITH FULL SHIELDED)

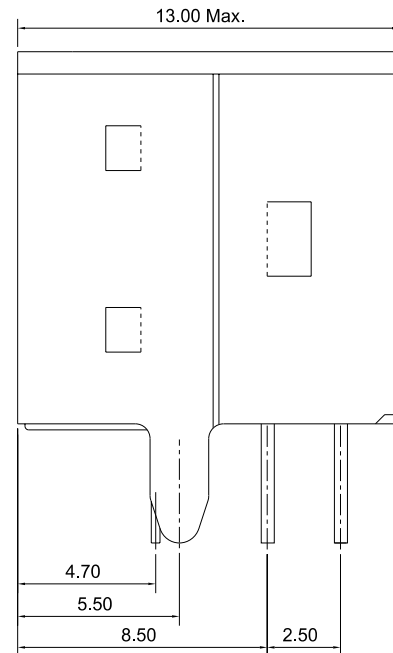
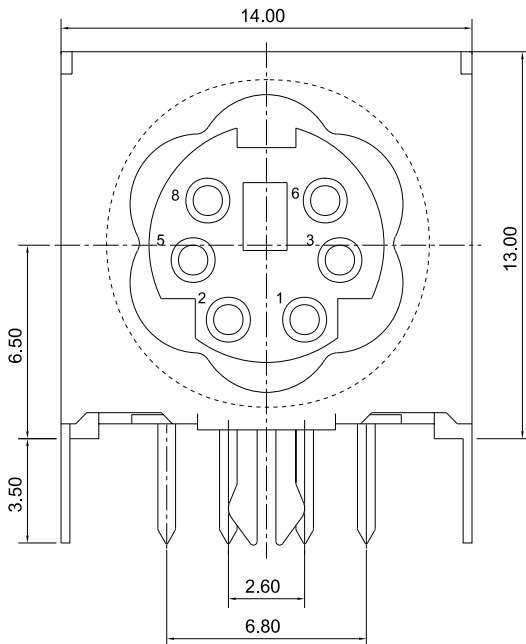


030228FR Series

Mates with standard plug

Specifications:

- 4-9 Circuits
- Insulator Material : Black High Temp. Plastic
- Operating Temp. Range : -40°C to +105°C
- Terminal Material : Phosphor Bronze
- Plating : Selective Plated (Tin)
- Max. Current Rating : 1.5A
- Voltage Rating : 100V AC
- Dielectric Strength : 500V (Min. 60 Seconds)



Order Information

030228FR□□□S200ZU
1 2 3 4 5

1. 'R' : Right Angle Dip Type

2. No. of Pins

3. Plating

'S2' : Gold Flash in contact area
/min. 100u"fin solder area

4. Color 'Z' : Black

5. Package

'U' : Tube Package not Cap

Reference Page 11

Order Information

| PIN NO. | 04 PIN | 06 PIN | 07 PIN | 08 PIN | 09 PIN |
|---------|--------|--------|--------|--------|--------|
| TYPE | | | | | |