



TAI-SAW TECHNOLOGY CO., LTD.

No. 3, Industrial 2nd Rd., Ping-Chen Industrial District,
Taoyuan, 324, Taiwan, R.O.C.

TEL: 886-3-4690038 FAX: 886-3-4697532

E-mail: tstsales@mail.taisaw.com Web: www.taisaw.com

Approval Sheet For Product Specification

Issued Date:

Product Name: SAW IF Filter 38.9MHz for Audio Applications

TST Parts No.: TB0612A

Customer Parts No.: _____

Company: _____
Division: _____
Approved by : _____
Date: _____

Checked by: _____ Kazuma Lee 

Approval by: _____ Francis Chen 

Date: _____ 2008/12/15



TAI-SAW TECHNOLOGY CO., LTD.

No.3, Industrial 2nd Rd., Ping-Chen Industrial District, Taoyuan, Taiwan, R.O.C.

TEL : 886-3-4690038 FAX : 886-3-4697532

E-mail : tstsales@ms52.hinet.net Web: www.taisaw.com

IF SAW Filter 38.9 MHz

MODEL NO.: TB0612A

REV. NO.:2

A. FEATURES:

1. IF Filter for Audio Applications



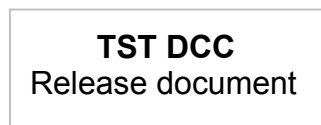
B. MAXIMUM RATING:

Operating Temperature Range	T _A	-25~65	°C	
Storage Temperature Range	T _{stg}	-40~85	°C	
DC voltage	V _{DC}	12	V	Between any terminals
AC voltage	V _{PP}	10	V	Between any terminals

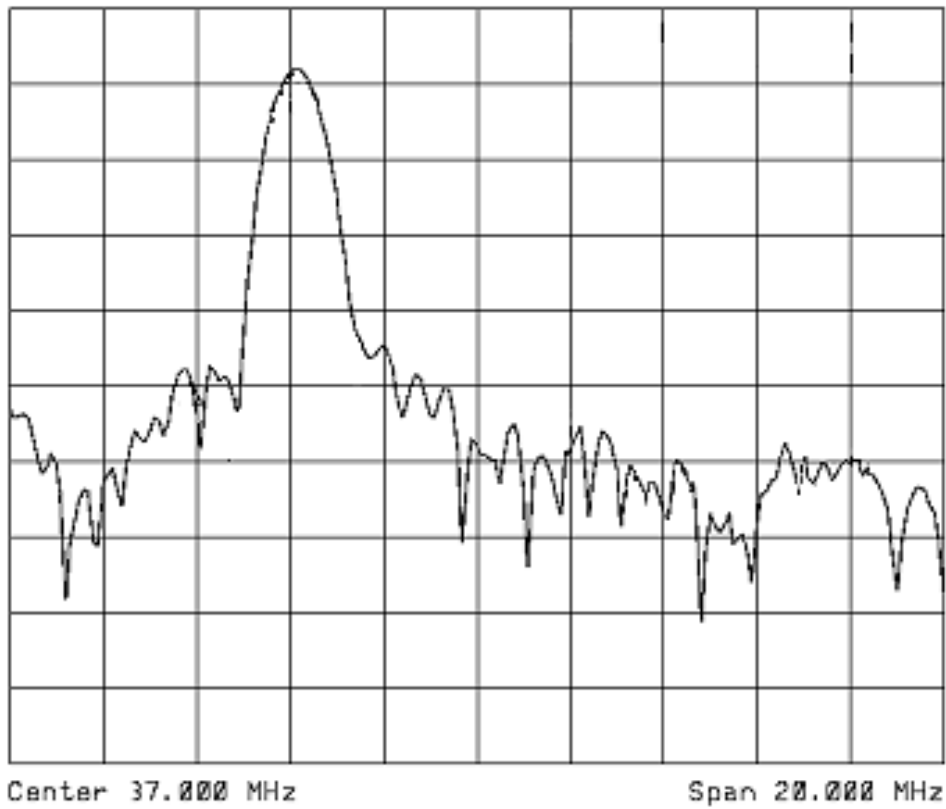
C. ELECTRICAL CHARACTERISTICS:

Reference temperature: Ta=25°C
 Terminating source impedance Z_S=50Ω
 Terminating load impedance Z_L=2kΩ//3 pF

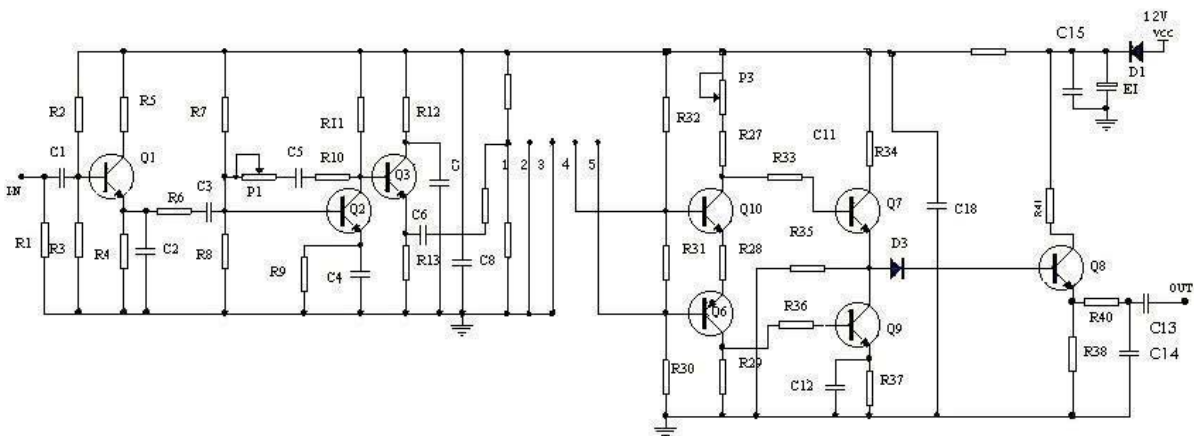
FREQUENCY(MHz)		VALUE			unit
		Min	Typ.	Max.	
Insertion attenuation	33.05 MHz	8.2	10.2	12.2	dB
Reference Frequency	33.05 MHz		0		
Picture carrier	38.90 MHz	40.0	50.0	-	dB
Color carrier	34.47MHz	26.0	32.0	-	dB
Sound carrier	33.40MHz	-0.6	1.4	3.4	dB
Adjacent picture carrier	30.90 MHz	31.0	35.0	-	dB
	31.90 MHz	30.0	37.0	-	dB
Adjacent sound carrier	40.40 MHz	40.0	48.0	-	dB
	41.40 MHz	40.0	46.0	-	dB
Lower sidelobe:	25.00-31.90 MHz	30.0	35.0	-	dB
Upper sidelobe:	40.40-45.00 MHz	37.0	42.0	-	dB
Reflected wave signal suppression		42.0	48.0	-	dB
Feedthrough signal suppression		50.0	55.0	-	dB
Group delay predistortion (reference frequency 38.90MHz)		-	-65	-	ns
	36.50MHz				
	34.47MHz	-	0	-	ns
Impedance at 37.40 MHz					
Input Impedance			1.1 18.4		kΩ pF
Output Impedance			1.6 4.1		kΩ pF
Temperature coefficient	TC	-	-72	-	ppm/K



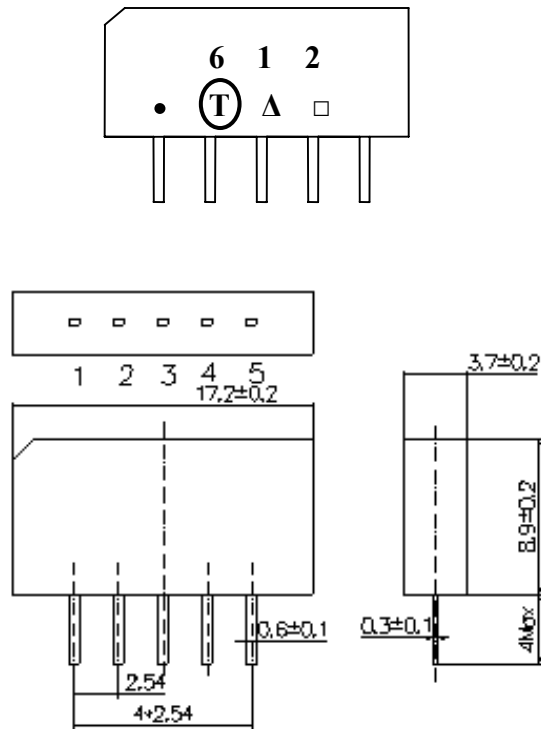
D. FREQUENCY CHARACTERISTICS:



E. TEST CIRCUIT



E. Outline Drawing:



Pin No. Functions

1. Input
2. Input - ground
3. Chip carrier - ground
4. Output
5. Output

□ : Week Code (Follow the table from planner each year)

△ : Product / Year Code

Year	2005 2009	2006 2010	2007 2011	2008 2012
Product Code	B	b	<u>B</u>	<u>b</u>