

PLEASE CHECK WWW.MOLEX.COM FOR LATEST PART INFORMATION

Part Number: [0919540005](#)
Status: **Active**
Overview: [rast 5 connector system](#)
Description: 5.00mm (.197") Appli-Mate 5.0 IDT Connector System Female Receptacle, 4A, 2 Circuit, Natural, Coding Key d20, Latch Position 1/2, Position Keys 1a, 2b, 0.38mm Square Terminal

Documents:

[3D Model](#) [Product Specification PS-99020-0037 \(PDF\)](#)
[Drawing \(PDF\)](#) [RoHS Certificate of Compliance \(PDF\)](#)

Agency Certification

CSA LR19980
 UL E29179

General

Product Family IDT and Solder Connectors
 Series [91954](#)
 Comments Position Keys 1a, 2b|Coding Key d20|Latch Position 1/2
 Crimp Quality Equipment Yes
 Overview [rast 5 connector system](#)
 Product Name RAST 5

Physical

Circuits (Loaded) 2
 Color - Resin Natural
 Durability (mating cycles max) 10
 Flammability 94V-2
 Gender Female
 Glow-Wire Compliant No
 Lock to Mating Part Yes
 Material - Metal Phosphor Bronze
 Material - Plating Mating Tin
 Material - Plating Termination Tin
 Material - Resin Nylon
 Number of Rows 1
 Packaging Type Tray
 Panel Mount No
 Pitch - Mating Interface (in) 0.197 In
 Pitch - Mating Interface (mm) 5.00 mm
 Plating min: Mating (µin) 200
 Plating min: Mating (µm) 5
 Plating min: Termination (µin) 200
 Plating min: Termination (µm) 5
 Stackable Yes
 Temperature Range - Operating -20C TO +120C
 Termination Interface: Style IDT or Pierce
 Wire Size AWG N/A

Electrical

Current - Maximum per Contact 4A
 Voltage - Maximum 250V

Material Info

Reference - Drawing Numbers

Application Specification AS-99033-0004

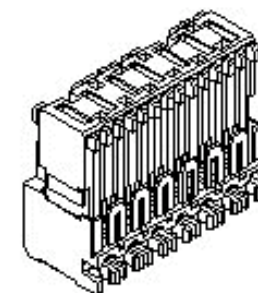


image - Reference only

Series

EU RoHS

ELV and RoHS Compliant
REACH SVHC
 Not Reviewed
Halogen-Free
Status
Not Reviewed

China RoHS



Need more information on product environmental compliance?

Email productcompliance@molex.com
 For a multiple part number RoHS Certificate of Compliance, [click here](#)

Please visit the [Contact Us](#) section for any non-product compliance questions.

Search Parts in this Series

[91954Series](#)

Mates With

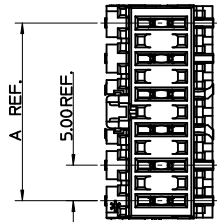
Appli-Mate RAST 5.0 Header [90858](#) , [90879](#)

Packaging Specification
Product Specification
Sales Drawing

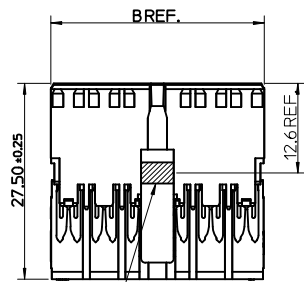
PK-90833-001
PS-99020-0037
SD-91954-001

This document was generated on 05/28/2010

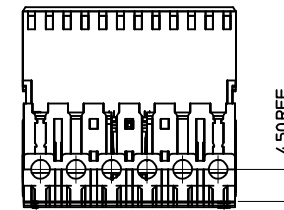
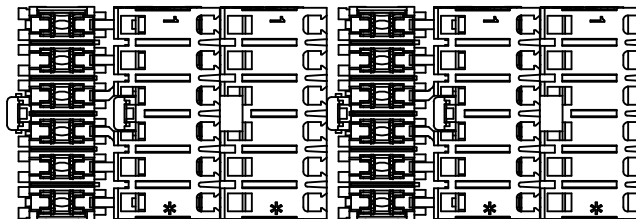
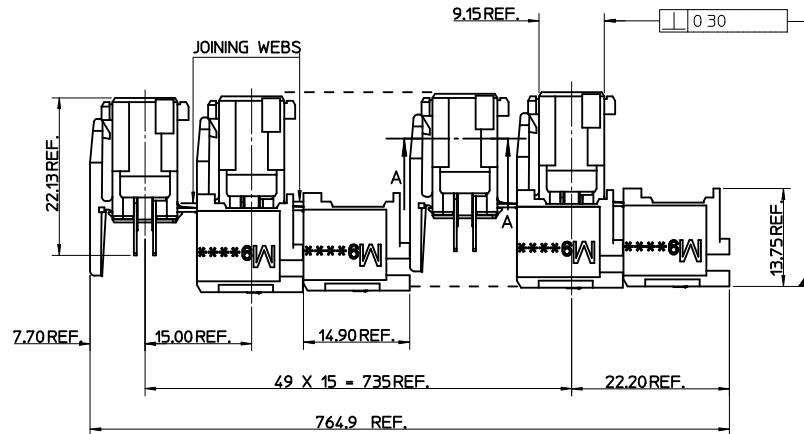
PLEASE CHECK WWW.MOLEX.COM FOR LATEST PART INFORMATION



PARTIAL1
Scale 2:1

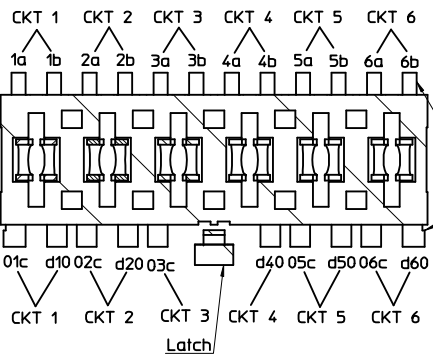


COLOUR STRIPE
SEE NOTE 4



NOTES:

1. MATERIALS
HOUSING: UNFILLED NYLON 6/6, RATED UL 94V-2
FOR COLOURS, SEE CHARTS ON SHEETS 2-6.
TERMINALS : 90834-0004 0.38mm IDT PHOSPHOR BRONZE.
0.40/(0.016) THICK REF.
PLATING: 5um/(200uin) MIN PURE Sn
2. PRODUCT CONFORMS TO SPECIFICATION PS-99020-0037
3. ACCEPTS CABLE, PER ES-99036-0008 OR ES-99036-0009
AS PER THE APPLICATION SPECIFICATION AS-99033-0004
4. SEE SUBSEQUENT SHEETS FOR PART NUMBERS SHOWING
THE VARIOUS CODING, KEYING, COLOUR STRIPE
AND LATCHING OPTIONS
5. FOR PACKAGING SPECIFICATION SEE PK-90833-001



KEYING, CODING & LATCH IDENTIFICATION
(6 CKT EXAMPLE SHOWN)

A-A
Scale 4:1

Ckt Size	A	B
2	5.00	9.90
3	10.00	14.90
4	15.00	19.90
5	20.00	24.90
6	25.00	29.90
7	30.00	34.90
8	35.00	39.90
9	40.00	44.90
10	45.00	49.90
11	50.00	54.90
12	55.00	59.90

LINK MOD EC NO: E2010-0161 DRAWN: BRUTTLE 2009/11/05 CHKD: T. TOURISH 2009/11/09 APPR: B. MAGUIRE 2009/11/09	QUALITY SYMBOLS	GENERAL TOLERANCES (UNLESS SPECIFIED)	DIMENSION STYLE MM ONLY	SCALE 2:1	DESIGN UNITS METRIC	THIRD ANGLE PROJECTION
	▽=0	4 PLACES ± --- ± ---	mm	DRAWN BY B. RUTTLE	DATE 19/09/06	TITLE 5MM APPLI-MATE F-INDIRECT CONN ASSY 0.38MM SQ IDT
	▽=0	3 PLACES ± 0.025 ± ---	INCH	CHECKED BY T. TOURISH	DATE 19/09/06	MATERIAL NO. SEE SHEET 2 TO 6
		2 PLACES ± 0.05 ± ---		APPROVED BY B. MAGUIRE	DATE 19/09/06	DOCUMENT NO. SD-91954-001
	1 PLACE ± 0.1 ± ---	ANGULAR ± 1/2°				SIZE A2
		DRAFT WHERE APPLICABLE MUST REMAIN WITHIN DIMENSIONS		THIS DRAWING CONTAINS INFORMATION THAT IS PROPRIETARY TO MOLEX INCORPORATED AND SHOULD NOT BE USED WITHOUT WRITTEN PERMISSION		

MOLEX PART NO	CIRCUIT SIZE	COLOUR	POSITION KEYS	CODING KEYS	LATCH POSITION	CONFIGURATION	REF	COLOUR STRIPE
91954-0001	2	NATURAL	ALL	ALL	1/2		K00	NONE
91954-0002	2	NATURAL	1b 2a	ALL	1/2		K01	NONE
91954-0003	2	NATURAL	1a 2b	01c	1/2		K02	NONE
91954-0004	2	NATURAL	2a	ALL	1/2		K03	NONE
91954-0005	2	NATURAL	1a 2b	d20	1/2		K05	NONE
91954-0006	2	NATURAL	1b 2b	01c	1/2		K09	NONE
91954-0007	2	NATURAL	1a 2a	01c	1/2		K10	NONE
91954-0008	2	NATURAL	2b	ALL	1/2		K15	NONE
91954-0009	2	NATURAL	1a 1b	ALL	1/2		K47	NONE
91954-0010	2	NATURAL	2b	NONE	1/2		K11	NONE
91954-0011	2	NATURAL	1a 1b	01c	1/2		K04	NONE
91954-0012	2	NATURAL	1a	ALL	1/2		K12	NONE
91954-0013	2	NATURAL	1b 2a	01c	1/2		K14	NONE
91954-0014	2	NATURAL	ALL	01c	1/2		K33	NONE
91954-0015	2	NATURAL	1a 1b	01c	1/2		K04	NONE
91954-0016	2	NATURAL	1b	ALL	1/2		K16	NONE
91954-0017	2	NATURAL	1a 2b	NONE	1/2		K06	NONE
91954-0018	2	NATURAL	2b	d20	1/2		K38	NONE

MOLEX PART NO	CIRCUIT SIZE	COLOUR	POSITION KEYS	CODING KEYS	LATCH POSITION	CONFIGURATION	REF	COLOUR STRIPE
91954-0019	2	NATURAL	1a 2a	ALL	1/2		K44	NONE
91954-0020	2	NATURAL	1b 2a 2b	d20	1/2		K07	NONE
91954-0021	2	NATURAL	All	d20	1/2		K34	NONE
91954-0022	2	NATURAL	1a 2b	d20	1/2		K05	NONE
91954-0023	2	BLACK	1a 2b	d20	1/2		K05	NONE
91954-0024	2	NATURAL	2a	01c	1/2		K**	NONE
91954-0025	2	NATURAL	1b, 2b	01c	1/2		K09	ORANGE
91954-0026	2	NATURAL	1a, 2b	01c	1/2		K02	BLACK
91954-0027	2	NATURAL	1b	ALL	1/2		K16	BLUE
91954-0028	2	NATURAL	1a	ALL	1/2		K12	LIGHT BLUE
91954-0029	2	NATURAL	1a, 2b	d20	1/2		K05	GREEN

SEE SHEET 1 EC NO: E2010-0161 DRAWN BY: B. RUTTLE 2009/11/05 CHKD: T. TOURISH 2009/11/09 APPR: B. MAGUIRE 2009/11/09	QUALITY SYMBOLS 	GENERAL TOLERANCES (UNLESS SPECIFIED) <table border="1"> <tr><th></th><th>mm</th><th>INCH</th></tr> <tr><td>4 PLACES</td><td>± ---</td><td>± ---</td></tr> <tr><td>3 PLACES</td><td>± 0.025</td><td>± ---</td></tr> <tr><td>2 PLACES</td><td>± 0.05</td><td>± ---</td></tr> <tr><td>1 PLACE</td><td>± 0.1</td><td>± ---</td></tr> </table>		mm	INCH	4 PLACES	± ---	± ---	3 PLACES	± 0.025	± ---	2 PLACES	± 0.05	± ---	1 PLACE	± 0.1	± ---	DIMENSION STYLE MM ONLY	SCALE 2:1	DESIGN UNITS METRIC	THIRD ANGLE PROJECTION
		mm	INCH																		
	4 PLACES	± ---	± ---																		
	3 PLACES	± 0.025	± ---																		
2 PLACES	± 0.05	± ---																			
1 PLACE	± 0.1	± ---																			
DRAWN BY: B. RUTTLE DATE: 19/09/06 CHECKED BY: T. TOURISH DATE: 19/09/06 APPROVED BY: B. MAGUIRE DATE: 19/09/06	TITLE 5MM APPLI-MATE F-INDIRECT CONN ASSY 0.38MM SQ IDT	MATERIAL NO.	DOCUMENT NO.	MOLEX INCORPORATED	SHEET NO. 2 OF 6																
DRAFT WHERE APPLICABLE MUST REMAIN WITHIN DIMENSIONS	SEE CHART	SIZE A 2	THIS DRAWING CONTAINS INFORMATION THAT IS PROPRIETARY TO MOLEX INCORPORATED AND SHOULD NOT BE USED WITHOUT WRITTEN PERMISSION																		
					SD-91954-001																

MOLEX PART NO.	CIRCUIT SIZE	COLOUR	POSITION KEYS	CODING KEYS	LATCH POSITION	CONFIGURATION	REF	COLOUR STRIPE
91954-0101	3	NATURAL	ALL	ALL	1/2		K00	NONE
91954-0102	3	NATURAL	ALL	ALL	2/3		K90	NONE
91954-0103	3	NATURAL	1b	01c d20	1/2		K01	NONE
91954-0104	3	NATURAL	1a	03c	1/2		K04	NONE
91954-0105	3	NATURAL	1a 1b	d30	1/2		K05	NONE
91954-0106	3	NATURAL	1b 2a 2b	d30	1/2		K33	NONE
91954-0107	3	NATURAL	ALL	d10 d30	2/3		K38	NONE
91954-0108	3	NATURAL	1a 3a	01c	1/2		K07	NONE
91954-0109	3	NATURAL	1b 3a	01c	1/2		K03	NONE
91954-0110	3	NATURAL	2a	02c d30	2/3		K57	NONE
91954-0111	3	NATURAL	2b	d20	1/2		K08	NONE
91954-0112	3	NATURAL	1b	d20 03c	1/2		K09	NONE
91954-0113	3	NATURAL	1a 1b 2a 3a	01c 02c d30	2/3		K12	NONE
91954-0114	3	NATURAL	1a 2a	d30	2/3		K...	NONE
91954-0115	3	NATURAL	2a	d10 d30	2/3		K44	NONE
91954-0116	3	NATURAL	3b	01c d30	1/2		K37	NONE
91954-0117	3	NATURAL	2b 3b	d10 02c	2/3		K02	NONE
91954-0118	3	NATURAL	2a	d10 02c d30	2/3		K**	NONE
91954-0119	3	NATURAL	1a	01c d20 03c	1/2		K**	NONE
91954-0120	3	NATURAL	1b 2A	01c d20	1/2		K**	NONE
91954-0122	3	NATURAL	1a 1b 2b	01c	1/2		K**	NONE

MOLEX PART NO.	CIRCUIT SIZE	COLOUR	POSITION KEYS	CODING KEYS	LATCH POSITION	CONFIGURATION	REF	COLOUR STRIPE
91954-0201	4	NATURAL	ALL	ALL	1/2 & 3/4		K00	NONE
91954-0202	4	NATURAL	1b	03c d40	1/2 & 3/4		K01	NONE
91954-0203	4	NATURAL	ALL	d20 03c	1/2 & 3/4		K35	NONE
91954-0204	4	NATURAL	1b	d20 03c	1/2 & 3/4		K38	NONE
91954-0205	4	NATURAL	1a 4b	d40	1/2 & 3/4		K03	NONE
91954-0206	4	NATURAL	1a 3a 3b	01c d20 d40	1/2 & 3/4		K32	NONE
91954-0207	4	NATURAL	1b 2a 3a 4b	01c d40	1/2 & 3/4		K37	NONE
91954-0208	4	NATURAL	1a 4b	01c	1/2 & 3/4		K02	NONE
91954-0209	4	NATURAL	3b	d30	2/3		K04	NONE
91954-0210	4	NATURAL	1a 1b 3a 3b	01c 03c	1/2 & 3/4		K93	NONE
91954-0211	4	NATURAL	1a 2a 4a	01c 03c d40	1/2 & 3/4		K43	NONE
91954-0212	4	NATURAL	1a 1b 3a 3b	ALL	1/2 & 3/4		K**	NONE

SEE SHEET 1 EC NO: E2010-0161 DRAWN: BRUTTLE 2009/11/05 CHKD: T. TOURISH 2009/11/09 APPR: B. MAGUIRE 2009/11/09	QUALITY SYMBOLS DESCRIPTION	GENERAL TOLERANCES (UNLESS SPECIFIED)		DIMENSION STYLE MM ONLY		SCALE 2:1	DESIGN UNITS METRIC	THIRD ANGLE PROJECTION	
		4 PLACES ± --- ± --- 3 PLACES ± 0.025 ± --- 2 PLACES ± 0.05 ± --- 1 PLACE ± 0.1 ± ---	mm INCH ± --- ± --- ± 0.025 ± --- ± 0.05 ± --- ± 0.1 ± ---	DRAWN BY B. RUTTLE	DATE 19/09/06	TITLE 5MM APPLI-MATE F-INDIRECT CONN ASSY 0.38MM SQ IDT			
		APPROVED BY B. MAGUIRE		DATE 19/09/06	MOLEX INCORPORATED				
		MATERIAL NO.		SEE CHART		DOCUMENT NO. SD-91954-001	SHEET NO. 3 OF 6		

DRAFT WHERE APPLICABLE MUST REMAIN WITHIN DIMENSIONS

THIS DRAWING CONTAINS INFORMATION THAT IS PROPRIETARY TO MOLEX INCORPORATED AND SHOULD NOT BE USED WITHOUT WRITTEN PERMISSION

MOLEX PART NO.	CIRCUIT SIZE	COLOUR	POSITION KEYS	CODING KEYS	LATCH POSITION	CONFIGURATION	REF	COLOUR STRIPE
91954-0301	5	NATURAL	1a 3a	01c d30	1/2 & 4/5		K30	NONE
91954-0302	5	NATURAL	1a 5b	01c d20 03c d50	1/2 & 3/4		K31	NONE
91954-0303	5	NATURAL	2a	01c d50	2/3 & 4/5		K43	NONE
91954-0304	5	NATURAL	ALL	01c d50	2/3 & 4/5		K42	NONE
91954-0305	5	NATURAL	ALL	ALL	2/3 & 4/5		K92	NONE
91954-0306	5	NATURAL	ALL	ALL	1/2 & 3/4		K00	NONE
91954-0307	5	NATURAL	ALL	ALL	1/2 & 4/5		K90	NONE
91954-0308	5	NATURAL	2a 4b	01c d20 d40	1/2 & 3/4		K44	NONE
91954-0309	5	NATURAL	1a 3a	01c d30 d50	1/2 & 4/5		K49	NONE
91954-0310	5	NATURAL	NONE	01c d40	1/2 & 3/4		K**	NONE
91954-0311	5	NATURAL	1a 5b	01c d20 03c d50	1/2 & 3/4		K31	NONE
91954-0312	5	NATURAL	2a	01c d50	2/3 4/5		K43	NONE
91954-0313	5	NATURAL	1a 2b 3b 4b 5b	d10 02c 04c d50	4/5		K**	NONE
91954-0314	5	NATURAL	5b	01c d20 03c d50	4/5		K**	NONE

SEE SHEET 1 EC NO: E2010-0161 DRAWN: BRUTTLE 2009/11/05 CHECKED: TOURISH 2009/11/09 APPR: BMAGUIRE 2009/11/09	DESCRIPTION REV C	QUALITY SYMBOLS ▽=0 ▽=0	GENERAL TOLERANCES (UNLESS SPECIFIED) <table border="1"> <thead> <tr> <th></th> <th>mm</th> <th>INCH</th> </tr> </thead> <tbody> <tr> <td>4 PLACES</td> <td>± ---</td> <td>± ---</td> </tr> <tr> <td>3 PLACES</td> <td>± 0.025</td> <td>± ---</td> </tr> <tr> <td>2 PLACES</td> <td>± 0.05</td> <td>± ---</td> </tr> <tr> <td>1 PLACE</td> <td>± 0.1</td> <td>± ---</td> </tr> <tr> <td colspan="3">ANGULAR ± 1/2°</td> </tr> </tbody> </table>		mm	INCH	4 PLACES	± ---	± ---	3 PLACES	± 0.025	± ---	2 PLACES	± 0.05	± ---	1 PLACE	± 0.1	± ---	ANGULAR ± 1/2°			DIMENSION STYLE MM ONLY	SCALE 2:1	DESIGN UNITS METRIC	THIRD ANGLE PROJECTION
			mm	INCH																					
		4 PLACES	± ---	± ---																					
		3 PLACES	± 0.025	± ---																					
2 PLACES	± 0.05	± ---																							
1 PLACE	± 0.1	± ---																							
ANGULAR ± 1/2°																									
DRAFT WHERE APPLICABLE MUST REMAIN WITHIN DIMENSIONS			DRAWN BY B. RUTTLE	DATE 19/09/06	TITLE 5MM APPLI-MATE F-INDIRECT CONN ASSY 0.38MM SQ IDT																				
			CHECKED BY T. TOURISH	DATE 19/09/06	MOLEX INCORPORATED																				
			APPROVED BY B. MAGUIRE	DATE 19/09/06	MATERIAL NO. SEE CHART	DOCUMENT NO. SD-91954-001	SHEET NO. 4 OF 6																		

MOLEX PART NO.	CIRCUIT SIZE	COLOUR	POSITION KEYS	CODING KEYS	LATCH POSITION	CONFIGURATION	REF	COLOUR STRIPE
91954-0401	6	NATURAL	ALL	ALL	2/3 & 4/5		K90	NONE
91954-0402	6	NATURAL	1b	03c d60	1/2 & 5/6		K91	NONE
91954-0403	6	NATURAL	ALL	ALL	1/2 & 5/6		K53	NONE
91954-0404	6	NATURAL	5b	01c d40	1/2 & 5/6		K61	NONE
91954-0405	6	NATURAL	1b 6a	d30	1/2 & 5/6		K...	NONE
91954-0406	6	NATURAL	2b 6b	d40	1/2 & 5/6		K04	NONE
91954-0407	6	NATURAL	5b	02c 06c	3/4		K**	NONE
91954-0408	6	NATURAL	1b 3a 4b 5a 5b 6b	01c d60	2/3		K**	NONE
91954-0409	6	NATURAL	1b 2a 5b 6b	d50 06c	3/4		K**	NONE

MOLEX PART NO.	CIRCUIT SIZE	COLOUR	POSITION KEYS	CODING KEYS	LATCH POSITION	CONFIGURATION	REF	COLOUR STRIPE
91954-0601	8	NATURAL	ALL	ALL	3/4 & 5/6		K00	NONE
91954-0602	8	NATURAL	1b 3a 3b 5a 5b 7a 8a	01c d20 03c 05c 07c	3/4 & 5/6		K36	NONE
91954-0603	8	NATURAL	ALL	ALL	1/2 & 7/8		K90	NONE
91954-0604	8	NATURAL	ALL	03c d60	1/2 & 7/8		K39	NONE
91954-0605	8	NATURAL	2b 8a	03c d60	1/2 & 7/8		K...	NONE
91954-0606	8	NATURAL	8b	02c d30 07c	2/3 & 7/8		K...	NONE
91954-0607	8	NATURAL	2b 8a	03c d60	1/2		K...	NONE
91954-0608	8	NATURAL	8b	02c d30	2/3		K49	NONE

MOLEX PART NO.	CIRCUIT SIZE	COLOUR	POSITION KEYS	CODING KEYS	LATCH POSITION	CONFIGURATION	REF	COLOUR STRIPE
91954-0501	7	NATURAL	2b	d20 07c	1/2 & 5/6		K37	NONE
91954-0502	7	NATURAL	ALL	ALL	1/2 & 5/6		K00	NONE
91954-0503	7	NATURAL	NONE	d20	1/2 & 5/6		K44	NONE
91954-0504	7	NATURAL	ALL	ALL	2/3 & 6/7		K90	NONE
91954-0505	7	NATURAL	ALL	02c d50	2/3 & 6/7		K49	NONE
91954-0506	7	NATURAL	NONE	d20 03c 07c	5/6		K**	NONE
91954-0507	7	NATURAL	1a 6b	03c 07c	4/5		K**	NONE
91954-0508	7	NATURAL	NONE	04c 05c	1/2 5/6		K**	NONE
91954-0509	7	NATURAL	NONE	04c 07c	1/2 5/6		K**	NONE

SEE SHEET 1 EC NO: E2010-0161 DRAWN: BRUTTLE 2009/11/05 CHKD: T. TOURISH 2009/11/09 APPR: B. MAGUIRE 2009/11/09	QUALITY SYMBOLS DESCRIPTION:	GENERAL TOLERANCES (UNLESS SPECIFIED)		DIMENSION STYLE MM ONLY		SCALE 2:1	DESIGN UNITS METRIC	THIRD ANGLE PROJECTION
		mm INCH 4 PLACES ± --- ± --- 3 PLACES ± 0.025 ± --- 2 PLACES ± 0.05 ± --- 1 PLACE ± 0.1 ± --- ANGULAR ± 1/2°		DRAWN BY DATE B. RUTTLE 19/09/06 CHECKED BY DATE T. TOURISH 19/09/06 APPROVED BY DATE B. MAGUIRE 19/09/06 MATERIAL NO.		TITLE 5MM APPLI-MATE F-INDIRECT CONN ASSY 0.38MM SQ IDT MOLEX INCORPORATED DOCUMENT NO.		
DRAFT WHERE APPLICABLE MUST REMAIN WITHIN DIMENSIONS		SEE CHART		THIS DRAWING CONTAINS INFORMATION THAT IS PROPRIETARY TO MOLEX INCORPORATED AND SHOULD NOT BE USED WITHOUT WRITTEN PERMISSION			SD-91954-001 SHEET NO. 5 OF 6	

MOLEX PART NO.	CIRCUIT SIZE	COLOUR	POSITION KEYS	CODING KEYS	LATCH POSITION	CONFIGURATION	REF	COLOUR STRIPE
91954-0701	9	NATURAL	ALL	ALL	3/4 & 6/7		K00	NONE
91954-0702	9	NATURAL	1b 2a 3a 5a 6a 7b 8b	01c 03c d70 08c d90	3/4 & 6/7		K34	NONE
91954-0703	9	NATURAL	2b 5a	d80	2/3 & 7/8		K03	NONE
91954-0704	9	NATURAL	1b	03c	5/6		K0A	NONE
91954-0705	9	NATURAL	2b 3b 4a 5a 6b	d10 02c 04c 08c d90	2/3 & 4/5 6/7 & 8/9		K--	NONE
91954-0706	9	NATURAL	1b 2a 4b 5a 8b 9b	01c d20 d70 08c	1/2 & 4/5 6/7 & 8/9		K--	NONE

MOLEX PART NO.	CIRCUIT SIZE	COLOUR	POSITION KEYS	CODING KEYS	LATCH POSITION	CONFIGURATION	REF	COLOUR STRIPE
91954-0901	11	NATURAL	ALL	ALL	3/4 & 8/9		K00	NONE
91954-0902	11	NATURAL	1a 2b 3b 4a 4b 5a 7a 8a 9a 10a 11a	01c d40 05c 08c 10c	3/4 & 8/9		K33	NONE

MOLEX PART NO.	CIRCUIT SIZE	COLOUR	POSITION KEYS	CODING KEYS	LATCH POSITION	CONFIGURATION	REF	COLOUR STRIPE
91954-1001	12	NATURAL	ALL	ALL	3/4 & 9/10		K00	NONE
91954-1002	12	NATURAL	1a 2a 4a 4b 5a 6b 8a 11a	01c 03c 05c 07c d80 d100 11c	3/4 & 9/10		K41	NONE

MOLEX PART NO.	CIRCUIT SIZE	COLOUR	POSITION KEYS	CODING KEYS	LATCH POSITION	CONFIGURATION	REF	COLOUR STRIPE
91954-0801	10	NATURAL	ALL	ALL	3/4 & 7/8		K00	NONE
91954-0802	10	NATURAL	1a 3b 7b 8a	01c d20 d40 05c d100	3/4 & 7/8		K34	NONE
91954-0803	10	NATURAL	ALL	ALL	4/5 & 7/8		K98	NONE
91954-0804	10	NATURAL	ALL	ALL	4/5 & 6/7		K99	NONE
91954-0805	10	NATURAL	1a 10b	07c	4/5 & 7/8		K39	NONE
91954-0806	10	NATURAL	1b 9a	06c	4/5 & 6/7		K40	NONE
91954-0807	10	NATURAL	1b	03c	5/6		K--	NONE
91954-0808	10	NATURAL	4b 6b 8a 8b	d100	5/6		K**	NONE
91954-0809	10	NATURAL	4b 6b 8a 8b	06c d100	NONE		K**	NONE

SEE SHEET 1 EC NO: E2010-0161 DRAWN: BRUTTLE 2009/11/05 CHKD: T. TOURISH 2009/11/09 APPR: B. MAGUIRE 2009/11/09	QUALITY SYMBOLS DESCRIPTION	GENERAL TOLERANCES (UNLESS SPECIFIED)		DIMENSION STYLE MM ONLY		SCALE 2:1	DESIGN UNITS METRIC	THIRD ANGLE PROJECTION	
		4 PLACES ± --- ± --- 3 PLACES ± 0.025 ± --- 2 PLACES ± 0.05 ± --- 1 PLACE ± 0.1 ± ---	mm INCH	DRAWN BY B. RUTTLE	DATE 19/09/06	TITLE 5MM APPLI-MATE F-INDIRECT CONN ASSY 0.38MM SQ IDT			
		ANGULAR ± 1/2°		CHECKED BY T. TOURISH	DATE 19/09/06	APPROVED BY B. MAGUIRE			
		DRAFT WHERE APPLICABLE MUST REMAIN WITHIN DIMENSIONS		MATERIAL NO. SEE CHART	DATE 19/09/06	MOLEX INCORPORATED		DOCUMENT NO. SD-91954-001	SHEET NO. 6 OF 6