



SANYO Semiconductors

# DATA SHEET

## LV56081GP — Bi-CMOS LSI For CCD Charge Pump Power Supply

### Overview

The LV56081GP is charge pump power supply for CCD.

### Functions

- The charge pump boosts the +3.3V input by multiplying with +6, then by -3 to regulate the voltage to the specified level.
- The output voltage is +15V, -5.5V necessary for CCD.
- Soft start function incorporated, which reduces the inrush current at start of charge pump.
- Short-circuit protection function incorporated.
- Four types of operating frequency selectable.

### Specifications

#### Absolute Maximum Ratings at $T_a = 25^\circ\text{C}$

Parameter	Symbol	Conditions	Ratings	Unit
Maximum supply voltage	$V_{DD}$ max		3.5	V
Allowable power dissipation	$P_d$ max	with specified substrate *1	0.8	W
Operating temperature	$T_{opr}$		-20 to +80	$^\circ\text{C}$
Storage temperature	$T_{stg}$		-40 to +125	$^\circ\text{C}$

\*1 : Specified substrate : 40mm × 50mm × 0.8mm, glass epoxy board

#### Allowable Operating Ratings at $T_a = 25^\circ\text{C}$ , PGND = 0V

Parameter	Symbol	Conditions	Ratings			Unit
			min	typ	max	
Supply voltage	$V_{DD}$		3.0	3.3	3.45	V
Input CLK frequency	CKIN	SEL=H *2	0.1		8	MHz
Input High voltage	$V_{INH}$	EN pin	$0.7V_{DD}$		$V_{DD}$	V
Input Low voltage	$V_{INL}$	EN pin	-0.1		0.4	V

\*2 : Note that the charge pump frequency should be adjusted with S0/S1 so that it becomes 2MHz or less.

■ Any and all SANYO Semiconductor Co.,Ltd. products described or contained herein are, with regard to "standard application", intended for the use as general electronics equipment (home appliances, AV equipment, communication device, office equipment, industrial equipment etc.). The products mentioned herein shall not be intended for use for any "special application" (medical equipment whose purpose is to sustain life, aerospace instrument, nuclear control device, burning appliances, transportation machine, traffic signal system, safety equipment etc.) that shall require extremely high level of reliability and can directly threaten human lives in case of failure or malfunction of the product or may cause harm to human bodies, nor shall they grant any guarantee thereof. If you should intend to use our products for applications outside the standard applications of our customer who is considering such use and/or outside the scope of our intended standard applications, please consult with us prior to the intended use. If there is no consultation or inquiry before the intended use, our customer shall be solely responsible for the use.

■ Specifications of any and all SANYO Semiconductor Co.,Ltd. products described or contained herein stipulate the performance, characteristics, and functions of the described products in the independent state, and are not guarantees of the performance, characteristics, and functions of the described products as mounted in the customer's products or equipment. To verify symptoms and states that cannot be evaluated in an independent device, the customer should always evaluate and test devices mounted in the customer's products or equipment.

# LV56081GP

**Electrical Characteristics** at  $T_a = 25^\circ\text{C}$ ,  $V_{DD} = 3.3\text{V}$ ,  $\text{SGND} = 0\text{V}$ ,  $\text{PGND} = 0\text{V}$ ,  $I_H=20\text{mA}$ ,  $I_L=5\text{mA}$ ,  $S_0=H$ ,  $S_1=L$ ,  
Unless otherwise specified

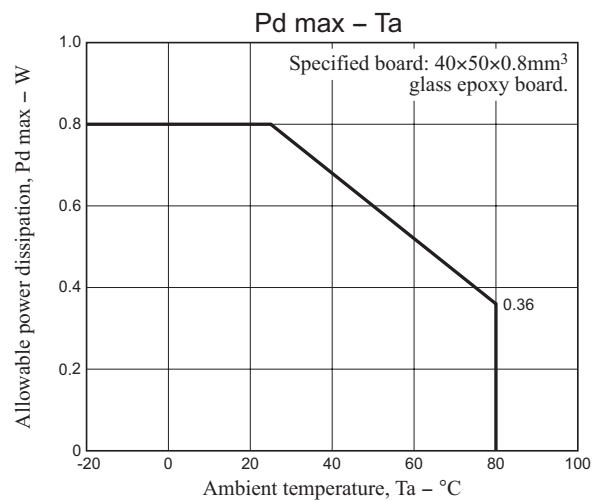
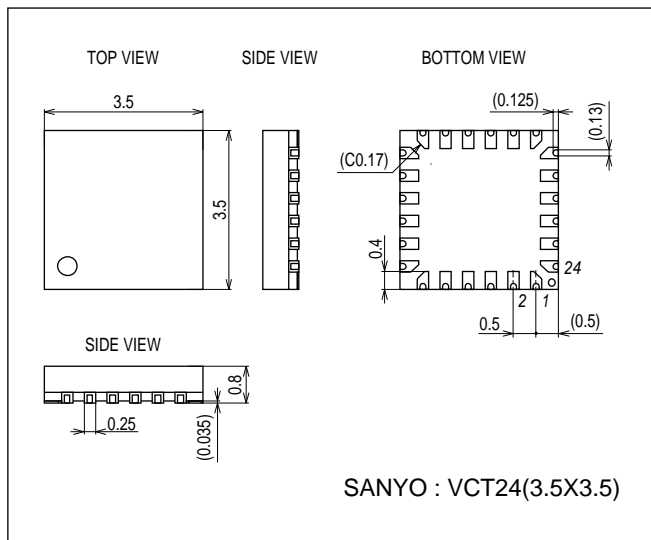
Parameter	Symbol	Conditions	Ratings			Unit
			min	typ	max	
Circuit current dissipation	$I_{DD1}$	EN = L		15	30	$\mu\text{A}$
	$I_{DD2}$	EN = H no load		17	25	$\text{mA}$
VH output load current	IH ave	$V_{DD} = 3.0\text{V}$			20	$\text{mA}$
VL output load current	IL ave	$V_{DD} = 3.0\text{V}$	-8			$\text{mA}$
Reference voltage	VREF	$V_{DD} = 3.0$ to $3.45\text{V}$ , design guarantee		1.305		V
		$T_a = -20^\circ\text{C}$ to $+80^\circ\text{C}$ , design guarantee	1.239		1.37	V
Output voltage accuracy	VH		14.55	15	15.35	V
	VL		-5.65	-5.5	-5.25	V
Output voltage at OFF	VOFF	After capacitive discharge	-50	0	+50	$\text{mV}$
VH holding time	Toff	$V_{Loff} \rightarrow V_{Hoff}$		5		$\text{ms}$
Protection circuit masking time	Tmask			18		$\text{ms}$
VH load regulation	$\Delta V_H$	Load $1\text{mA} \rightarrow 20\text{mA}$		30		$\text{mV}$
VL load regulation	$\Delta V_L$	Load $0.5\text{mA} \rightarrow 8\text{mA}$		50		$\text{mV}$
Input pin current	$I_{in}$	Pins EN, S0, S1, SEL and CLK	12.6	17.5	22.5	$\mu\text{A}$
VH monitoring voltage	$V_{Tvlon}$			8		V
Power efficiency	Peff	CP+Regulator (VH+VL)		70		%
Inrush current	$I_{rush}$				600	$\text{mA}$
Oscillation frequency	f clk		1.5	2	2.5	$\text{MHz}$

Note : The design specification items are design guarantees and are not measured.

## Package Dimensions

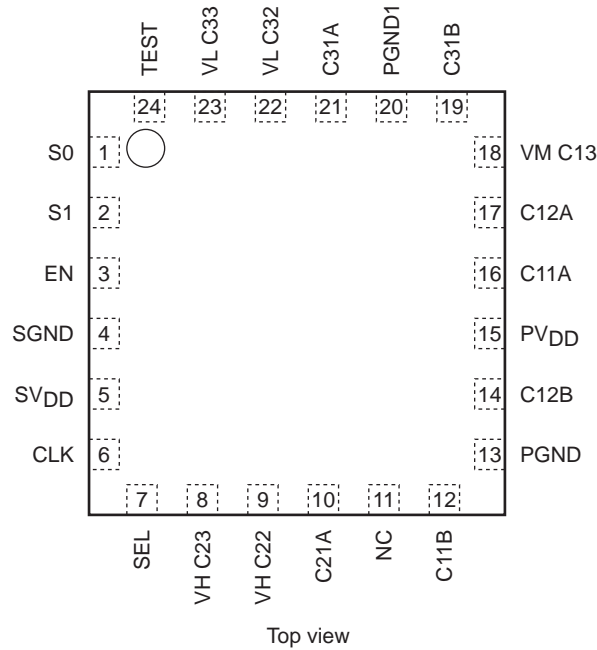
unit : mm (typ)

3322A



# LV56081GP

## Pin Assignment

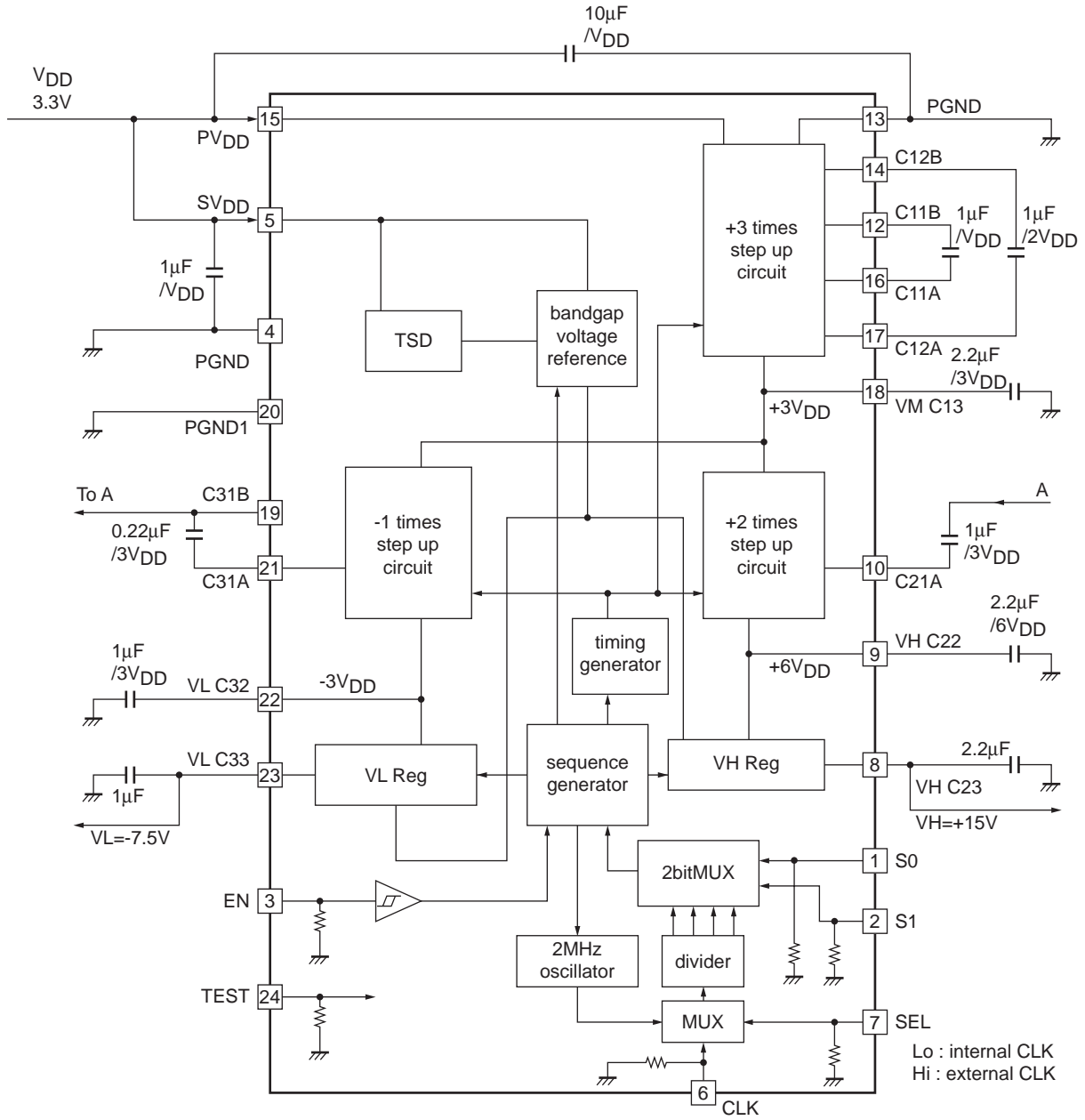


## Pin Function

Pin No.	Name	Mode
1	S0	Charge pump frequency changeover pin
2	S1	Charge pump frequency changeover pin
3	EN	System enable pin (Hi active)
4	SGND	Small signal system GND pin
5	SV <sub>DD</sub>	Small signal system V <sub>DD</sub> pin
6	CLK	External CLK input pin
7	SEL	CLK selector pin (L: built-in CLK, H: external CLK)
8	VH C23	VH (+15V) regulator output pin
9	VH C22	Boost voltage output (+6V <sub>DD</sub> )
10	C21A	Boost capacitor connection pin (on the load transfer side)
11	NC	
12	C11B	Boost capacitor connection pin (driver side)
13	PGND	+3-fold boost power GND pin
14	C12B	Boost capacitor connection pin (driver side)
15	PV <sub>DD</sub>	Power system V <sub>DD</sub> pin
16	C11A	Boost capacitor connection pin (load transfer side)
17	C12A	Boost capacitor connection pin (load transfer side)
18	VM C13	Boost voltage output (+3V <sub>DD</sub> )
19	C31B	+2-fold and -1-fold boost capacitor connection pin (driver side)
20	PGND1	+2-fold and -1-fold boost power GND pin
21	C31A	-1-fold boost capacitor connection pin (load transfer side)
22	VL C32	Boost voltage output (-3V <sub>DD</sub> )
23	VL C33	VL (-5.5V) regulator output pin
24	TEST	Test pin (OPEN or GND short-circuited)

# LV56081GP

## Block Diagram



## Short-circuit Protection

VH and VL output pins incorporate the short-circuit protection function.

When the output pins are short-circuited to allow the large current to flow, IC is latched OFF to interrupt output.

To reset from the interrupted state, set the EN pin to L, then reset it again to H.

## Frequency Selection

The charge pump operating frequency can be changed with S0 and S1 logics.

For light load, the reactive load can be reduced by lowering the operating frequency.

SEL logic also enables synchronous operation with external CLK.

The charge pump is operated with the frequency equivalent to 1/2 of input CLK.

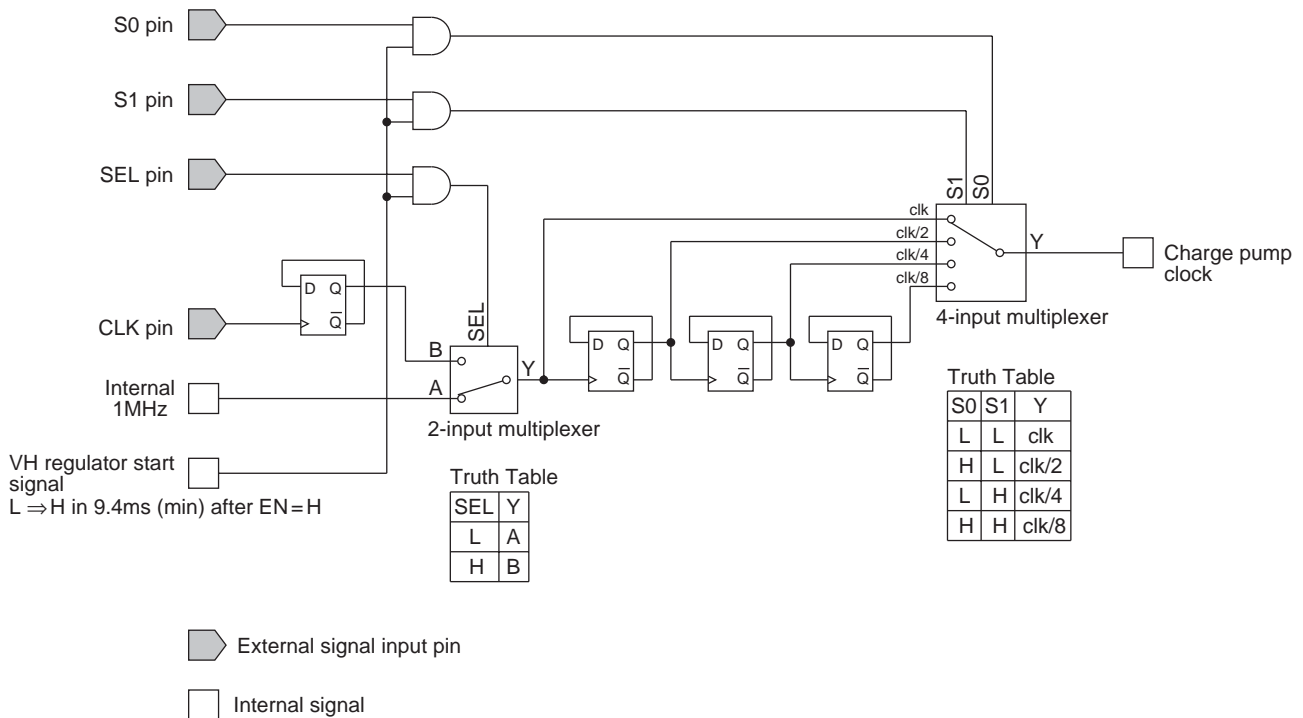
(The IC internal oscillator is used for the sequence, so that it is normally ON regardless of SEL.

S0	S1	CP operating frequency	
		SEL=L	SEL=H
L	L	1MHz	1/2 CLK
H	L	500kHz	1/4 CLK
L	H	250kHz	1/8 CLK
H	H	125kHz	1/16 CLK

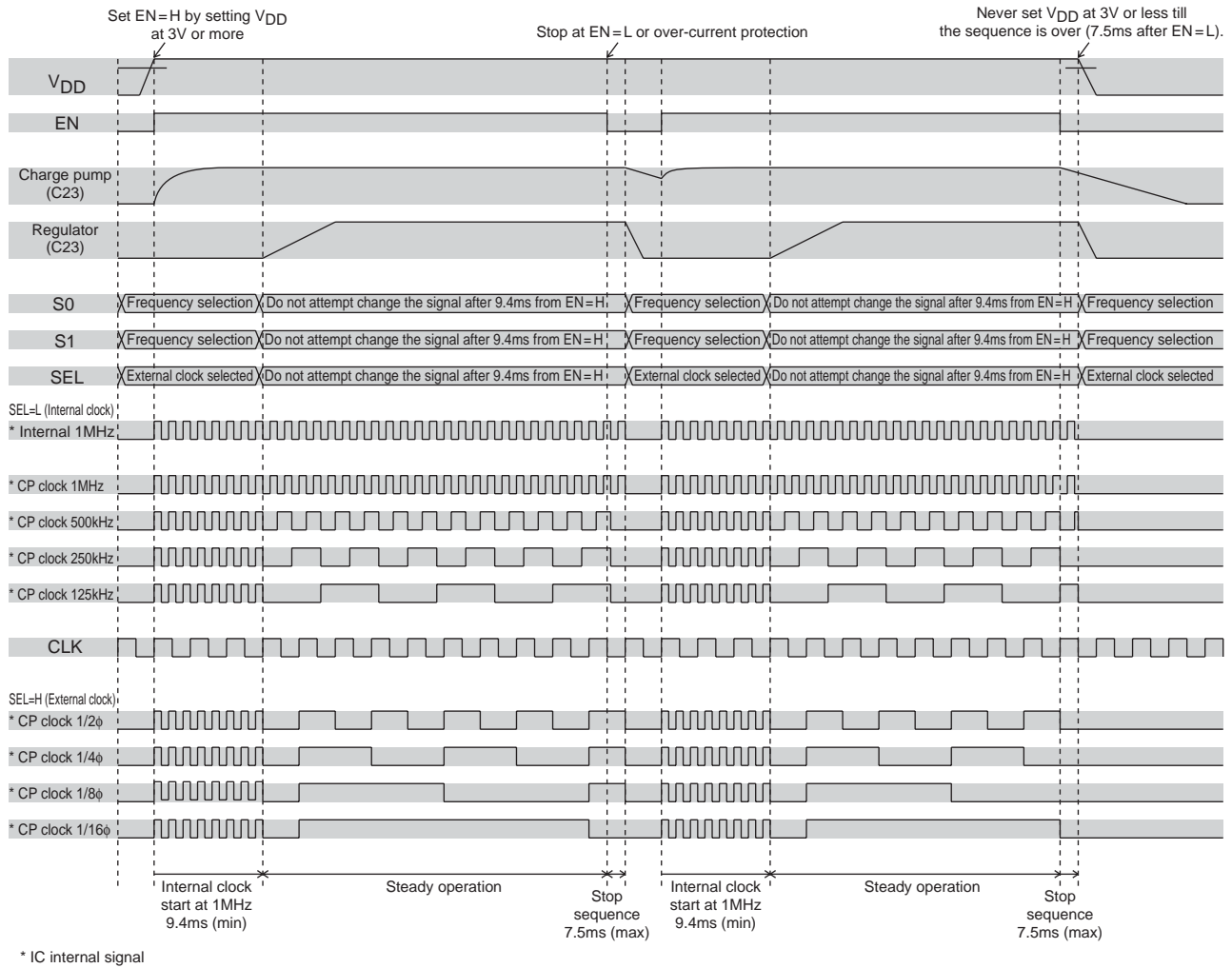
For minimum 9.4ms after startup with the EN signal set to H, the IC internal clock is used to operate the charge pump with 1 MHz regardless of the input of SEL, S0, and S1 pins. After the 9.4ms(min) period, the charge pump frequency is changed over according to the state of SEL, S0, and S1 pins. The changeover frequency is set as shown in the table right.

SEL	
L	IC internal oscillator
H	Synchronous operation with external CLK

## Internal Equivalent Circuit



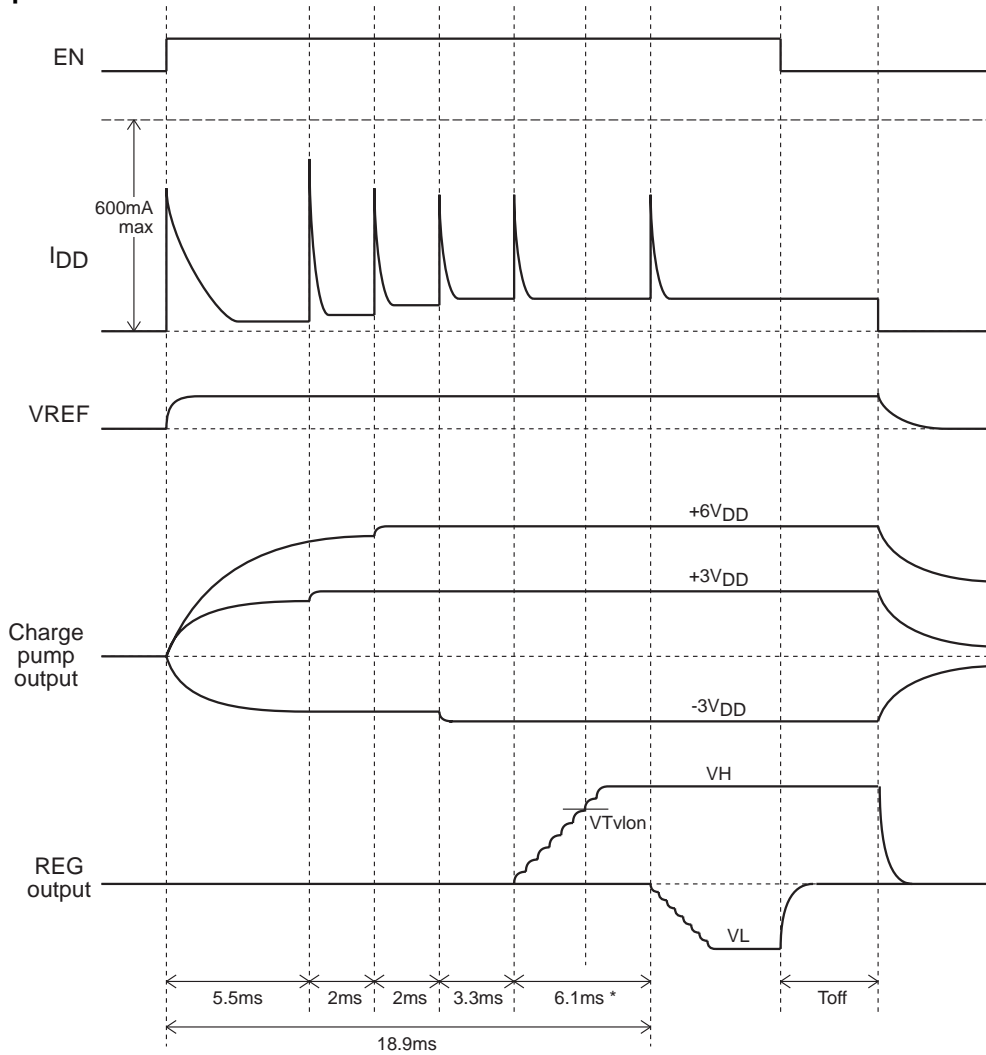
External clock signal startup sequence



EN Pin and V<sub>DD</sub>

Though the sequence operation is made at startup, startup is not effectuated if the internal circuit has not been reset. To reset the internal circuit, it is necessary to keep the EN pin at L till V<sub>DD</sub> becomes 3V or more. Note that operation with V<sub>DD</sub> and EN pin short-circuited cannot be made. Since the sequence operation is incorporated for stop of operation, the charge pump remains active till 7.5ms (max) passes after setting the EN pin to L. During this period, V<sub>DD</sub> must be kept at 3V or more to allow the internal sequence logic to operate correctly.

Rise/fall Sequence



\*The VL startup time at  $V_H \geq 10V$  and after elapse of 6.1ms is the reference time for CLK = 2MHz.

- SANYO Semiconductor Co.,Ltd. assumes no responsibility for equipment failures that result from using products at values that exceed, even momentarily, rated values (such as maximum ratings, operating condition ranges, or other parameters) listed in products specifications of any and all SANYO Semiconductor Co.,Ltd. products described or contained herein.
- SANYO Semiconductor Co.,Ltd. strives to supply high-quality high-reliability products, however, any and all semiconductor products fail or malfunction with some probability. It is possible that these probabilistic failures or malfunction could give rise to accidents or events that could endanger human lives, trouble that could give rise to smoke or fire, or accidents that could cause damage to other property. When designing equipment, adopt safety measures so that these kinds of accidents or events cannot occur. Such measures include but are not limited to protective circuits and error prevention circuits for safe design, redundant design, and structural design.
- In the event that any or all SANYO Semiconductor Co.,Ltd. products described or contained herein are controlled under any of applicable local export control laws and regulations, such products may require the export license from the authorities concerned in accordance with the above law.
- No part of this publication may be reproduced or transmitted in any form or by any means, electronic or mechanical, including photocopying and recording, or any information storage or retrieval system, or otherwise, without the prior written consent of SANYO Semiconductor Co.,Ltd.
- Any and all information described or contained herein are subject to change without notice due to product/technology improvement, etc. When designing equipment, refer to the "Delivery Specification" for the SANYO Semiconductor Co.,Ltd. product that you intend to use.
- Information (including circuit diagrams and circuit parameters) herein is for example only; it is not guaranteed for volume production.
- Upon using the technical information or products described herein, neither warranty nor license shall be granted with regard to intellectual property rights or any other rights of SANYO Semiconductor Co.,Ltd. or any third party. SANYO Semiconductor Co.,Ltd. shall not be liable for any claim or suits with regard to a third party's intellectual property rights which has resulted from the use of the technical information and products mentioned above.

This catalog provides information as of June, 2009. Specifications and information herein are subject to change without notice.