



### Features


- ◇ For IF SAW filter
- ◇ High attenuation
- ◇ Single-ended operation
- ◇ Dual In-line Package
- ◇ RoHS compliant (2002/95/EC), Pb-free

### Specifications

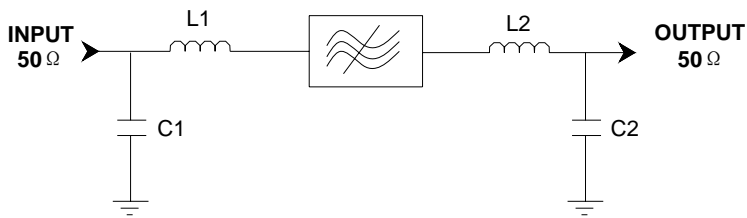
Parameter	Unit	Minimum	Typical	Maximum
Center Frequency	MHz	309.7	310	310.3
Insertion Loss	dB	-	25.1	26
1 dB Bandwidth	MHz	6.05	6.08	-
3 dB Bandwidth	MHz	-	6.49	6.55
40 dB Bandwidth	MHz	-	7.96	8.2
Passband Variation	dB	-	0.7	0.8
Absolute Delay	usec	-	1.92	3.5
Ultimate Rejection	dB	45	48	-
Material Temperature coefficient	KHz/°C	0.31		
Substrate Material	-	Qz		
Ambient Temperature	°C	25		
DC Voltage	V	0		
Input Power	dBm	-	-	10
ESD Class	-	1C		
Package Size	DIP2712 (27.0x12.8x4.7mm3)			

#### Notes:

1. All specifications are based on the test circuit shown;
2. In production, all specifications are measured by Agilent Network analyzer and full 2 port calibration at room temperature;
3. Electrical margin has been built into the design to account for the variations due to temperature drift and manufacturing tolerances;
4. This is the optimum impedance in order to achieve the performance show.

	<b>SIPAT Co., Ltd.</b> ( CETC No.26 Research Institute ) #14 Nanping Huayuan Road, Chongqing, China, 400060	Part Number	LBS31001	
		Rev. Date	2009-01-13	
		Ver.	1.0	Page

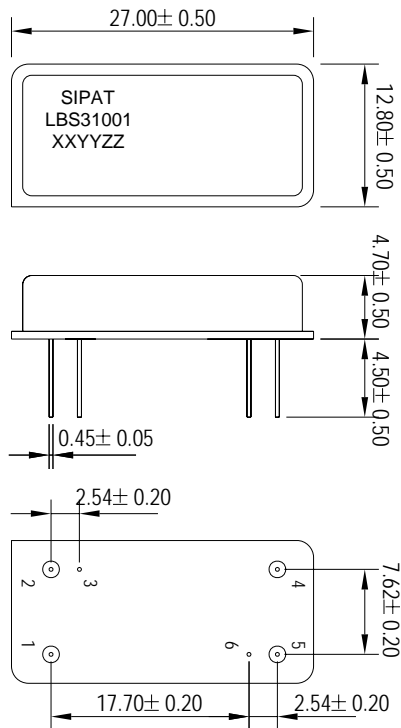
### Matching Configuration



**L1=18nH L2=12nH**  
**C1=C2=22pF**  
**Source/Load Impedance=50 ohm**

Notes - Component values may change depending  
on board layout.

### Package Dimension



#### Pad Configuration:

Input 1  
Output 5  
Ground All Others

#### Marking Configuration:

- 1) SIPAT: Manufacturer Name
- 2) LBS31001: Part Number
- 3) XXYY: Date(Year/month)
- 4) ZZ: Identified Code

**Package: DIP2712**

**Unit: mm**

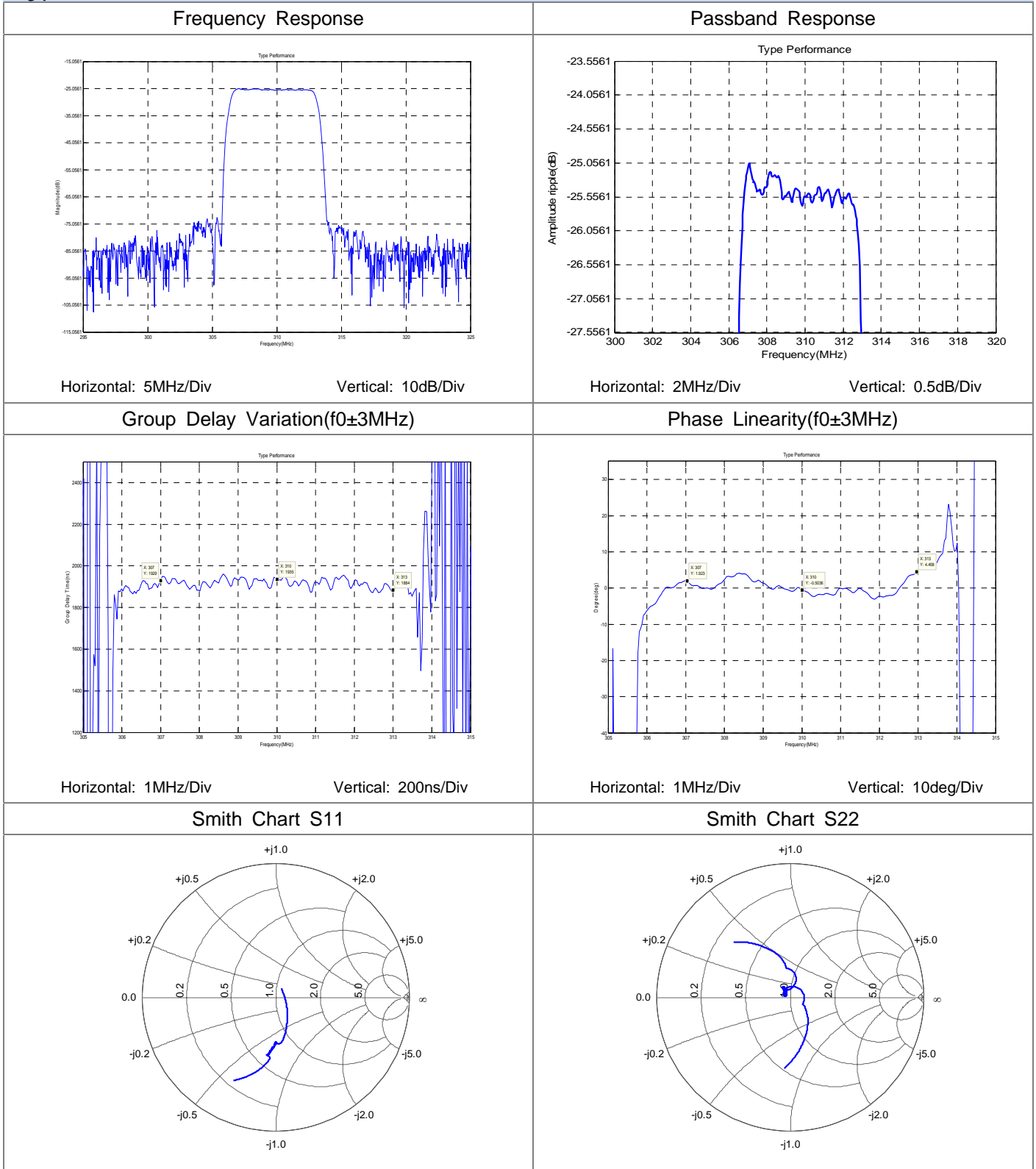


**SIPAT Co., Ltd.**  
( CETC No.26 Research Institute )  
#14 Nanping Huayuan Road,  
Chongqing, China, 400060

Part Number	LBS31001	
Rev. Date	2009-01-13	
Ver.	1.0	Page 2/3



Typical Performance



**SIPAT Co., Ltd.**  
( CETC No.26 Research Institute )  
#14 Nanping Huayuan Road,  
Chongqing, China, 400060

Part Number	LBS31001	
Rev. Date	2009-01-13	
Ver.	1.0	Page 3/3