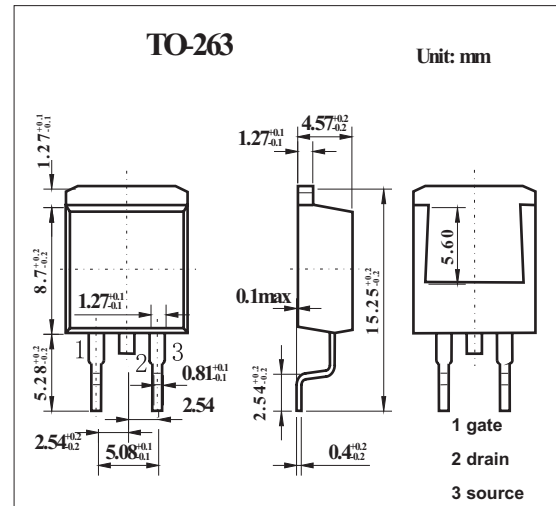
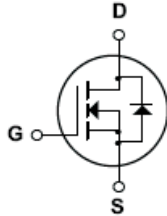


300V N-Channel MOSFET KQB2N30

■ Features

- 2.1A, 300 V. $R_{DS(ON)} = 3.7 \Omega$ @ $V_{GS} = 10 V$
- Low gate charge (typical 3.7nC)
- Low C_{rss} (typical 3.0pF)
Fast switching
- 100% avalanche tested
- Improved dv/dt capability



■ Absolute Maximum Ratings $T_a = 25^\circ C$

Parameter	Symbol	Rating	Unit
Drain to Source Voltage	V_{DSS}	300	V
Drain Current Continuous ($T_c=25^\circ C$)	I_D	2.1	A
Drain Current Continuous ($T_c=100^\circ C$)		1.33	A
Drain Current Pulsed *1	I_{DM}	8.4	A
Gate-Source Voltage	V_{GSS}	± 30	V
Single Pulsed Avalanche Energy*2	E_{AS}	100	mJ
Avalanche Current *1	I_{AR}	2.1	A
Repetitive Avalanche Energy *1	E_{AR}	4	mJ
Peak Diode Recovery dv/dt *3	dv/dt	4.5	V/ns
Power dissipation @ $T_A=25^\circ C$	P_D	3.13	W
Power dissipation @ $T_c=25^\circ C$		40	W
Derate above $25^\circ C$		0.32	W/ $^\circ C$
Operating and Storage Temperature	T_J, T_{STG}	-55 to 150	$^\circ C$
Maximum lead temperature for soldering purposes, 1/8" from case for 5 seconds	T_L	300	$^\circ C$
Thermal Resistance Junction to Case	$R_{\theta JC}$	3.13	$^\circ C/W$
Thermal Resistance Junction to Ambient *4	$R_{\theta JA}$	40	$^\circ C/W$
Thermal Resistance Junction to Ambient	$R_{\theta JA}$	62.5	$^\circ C/W$

*1 Repetitive Rating: Pulse width limited by maximum junction temperature

*2 $I = 37.8mH, I_{AS} = 2.1A, V_{DD} = 50V, R_G = 25 \Omega, Startion T_J = 25^\circ C$

*3 $I_{SD} \leq 2.1A, di/dt \leq 200A/\mu S, V_{DD} \leq B_{V_{DSS}}, Startiong T_J = 25^\circ C$

*4 When mounted on the minimum pad size recommended (PCB Mount)

KQB2N30

■ Electrical Characteristics Ta = 25°C

Parameter	Symbol	Testconditions	Min	Typ	Max	Unit
Drain-Source Breakdown Voltage	B _{VDS}	V _{GS} = 0 V, I _D = 250 μ A	300			V
Breakdown Voltage Temperature Coefficient	$\frac{\Delta B_{VDS}}{\Delta T_J}$	I _D = 250 μ A, Referenced to 25°C		0.29		mV/°C
Zero Gate Voltage Drain Current	I _{DSS}	V _{DS} = 300 V, V _{GS} = 0 V			1	μ A
		V _{DS} = 240 V, T _C =125°C			10	μ A
Gate-Body Leakage Current,Forward	I _{GSSF}	V _{GS} = 30 V, V _{DS} = 0 V			100	nA
Gate-Body Leakage Current,Reverse	I _{GSSR}	V _{GS} = -30 V, V _{DS} = 0 V			-100	nA
Gate Threshold Voltage	V _{GS(th)}	V _{DS} = V _{GS} , I _D = 250 μ A	3.0		5.0	V
Static Drain-Source On-Resistance	R _{DS(on)}	V _{GS} = 10 V, I _D = 1.05A		2.77	3.7	Ω
Forward Transconductance	g _{FS}	V _{DS} = 50 V, I _D = 1.05A *		1.24		S
Input Capacitance	C _{iss}	V _{DS} = 25 V, V _{GS} = 0 V, f = 1.0 MHz		100	130	pF
Output Capacitance	C _{oss}			25	35	pF
Reverse Transfer Capacitance	C _{rss}			3.0	4.0	pF
Turn-On Delay Time	t _{d(on)}				6.0	22
Turn-On Rise Time	t _r	V _{DD} = 150 V, I _D = 2.1A, R _G =25 Ω *		26	60	ns
Turn-Off Delay Time	t _{d(off)}			5.5	21	ns
Turn-Off Fall Time	t _f			21	50	ns
Total Gate Charge	Q _g	V _{DS} = 240 V, I _D = 2.1A, V _{GS} = 10 V *		3.7	5.0	nC
Gate-Source Charge	Q _{gs}			1.0		nC
Gate-Drain Charge	Q _{gd}			2.0		nC
Maximum Continuous Drain-Source Diode Forward Current	I _S				2.1	A
Maximum Pulsed Drain-Source Diode Forward Current	I _{SM}				8.4	A
Drain-Source Diode Forward Voltage	V _{SD}	V _{GS} = 0 V, I _S = 2.1 A *			1.5	V
Diode Reverse Recovery Time	t _{rr}	V _{GS} = 0 V, dI _F /dt = 100 A/ μ s, I _S =2.1A		108		ns
Diode Reverse Recovery Current	Q _{rr}				0.26	

* Pulse Test: Pulse Width ≤ 300 μ s, Duty Cycle ≤ 2.0%