

Admiral Class – Lead Wires

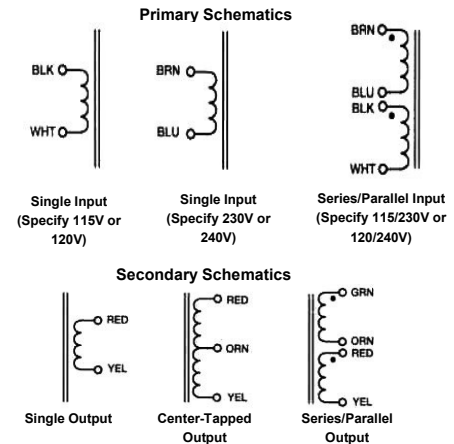
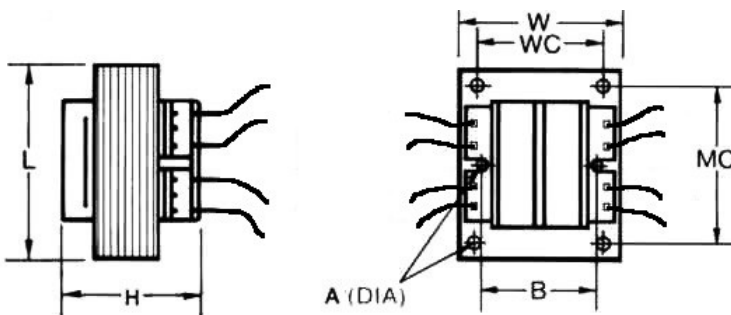
- Flame Retardant, UL 94V0 Rating
- High Efficiency
- 2.5VA to 56VA Power Rating
- Single or Dual Primary, 115V, 115/230V or 230V
(Optional 120, 120/240, 240, 120 with taps, 240 with taps, or 120/240 with taps)
- 50/60Hz (Economy 60Hz-only Models Available)
- Dual Secondary (Optional Single or Center-tapped)
- Any Secondary Voltage from 5V to 240V in 1V Increments
- Insulation Material 130°C Standard (Optional 200°C)
- Optional Internal Current or Thermal Protector
- High Isolation, 4000 Vrms, 100% Tested
- Color Coded Lead Wires

Flame Retardant Material



Agency Approvals:

- UL/cUL 5085-2 Recognized (File E47299)
- UL 60950 Recognized (File E144070)
- VDE 0805 Licensed (File 19019-3336-9002/A1C)
- UL 1446 Recognized Insulation system (File E95662)



VA Rating		Secondary Voltage	Dimensions (Inches)						
			L	W	H	A	B	MC	WC
IL002	2.5VA	Parallel from 5V to 60V	1.62	1.31	1.12	0.125*	1.06	-	-
IL005	5VA		1.62	1.31	1.36	0.125*	1.06	-	-
IL010	10VA		1.87	1.56	1.36	0.150*	1.25	-	-
IL020	20VA	Series, single & center-tapped from 10V to 240V	2.25	1.87	1.64	0.156*	1.50	-	-
IL030	30VA		2.62	2.19	1.57	0.156**	-	2.18	1.75
IL056	56VA		3.00	2.50	1.82	0.218**	-	2.50	2.00

* = 2 holes, ** = 4 holes

Take advantage of these pre-designed models, or let us customize to your requirements. That's our specialty.

Admiral Class – Lead Wires



Partial Selection Guide (Standard Stock)

Part Number					
115V Primary	115/230V Primary	230V Primary	VA	Series Secondary	Parallel Secondary
IL002-1-010X	IL002-2-010X	IL002-3-010X	2.5	10VCT @ 0.25A	5V @ 0.50A
IL005-1-010X	IL005-2-010X	IL005-3-010X	5.0	10VCT @ 0.50A	5V @ 1.0A
IL010-1-010X	IL010-2-010X	IL010-3-010X	10.0	10VCT @ 1.0A	5V @ 2.0A
IL020-1-010X	IL020-2-010X	IL020-3-010X	20	10VCT @ 2.0A	5V @ 4.0A
IL030-1-010X	IL030-2-010X	IL030-3-010X	30	10VCT @ 3.0A	5V @ 6.0A
IL056-1-010X	IL056-2-010X	IL056-3-010X	56	10VCT @ 5.6A	5V @ 11.2A
IL002-1-012X	IL002-2-012X	IL002-3-012X	2.5	12.6VCT @ 0.20A	6.3V @ 0.40A
IL005-1-012X	IL005-2-012X	IL005-3-012X	5.0	12.6VCT @ 0.40A	6.3V @ 0.80A
IL010-1-012X	IL010-2-012X	IL010-3-012X	10.0	12.6VCT @ 0.80A	6.3V @ 1.60A
IL020-1-012X	IL020-2-012X	IL020-3-012X	20	12.6VCT @ 1.6A	6.3V @ 3.2A
IL030-1-012X	IL030-2-012X	IL030-3-012X	30	12.6VCT @ 2.4A	6.3V @ 4.8A
IL056-1-012X	IL056-2-012X	IL056-3-012X	56	12.6VCT @ 4.4A	6.3V @ 8.8A
IL002-1-016X	IL002-2-016X	IL002-3-016X	2.5	16VCT @ 0.15A	8V @ 0.30A
IL005-1-016X	IL005-2-016X	IL005-3-016X	5.0	16VCT @ 0.31A	8V @ 0.62A
IL010-1-016X	IL010-2-016X	IL010-3-016X	10.0	16VCT @ 0.62A	8V @ 1.25A
IL020-1-016X	IL020-2-016X	IL020-3-016X	20	16VCT @ 1.25A	8V @ 2.5A
IL030-1-016X	IL030-2-016X	IL030-3-016X	30	16VCT @ 1.9A	8V @ 3.8A
IL056-1-016X	IL056-2-016X	IL056-3-016X	56	16VCT @ 3.5A	8V @ 7.0A
IL002-1-020X	IL002-2-020X	IL002-3-020X	2.5	20VCT @ 0.12A	10V @ 0.24A
IL005-1-020X	IL005-2-020X	IL005-3-020X	5.0	20VCT @ 0.25A	10V @ 0.50A
IL010-1-020X	IL010-2-020X	IL010-3-020X	10.0	20VCT @ 0.50A	10V @ 1.0A
IL020-1-020X	IL020-2-020X	IL020-3-020X	20	20VCT @ 1.0A	10V @ 2.0A
IL030-1-020X	IL030-2-020X	IL030-3-020X	30	20VCT @ 1.5A	10V @ 3.0A
IL056-1-020X	IL056-2-020X	IL056-3-020X	56	20VCT @ 2.8A	10V @ 5.6A
IL002-1-024X	IL002-2-024X	IL002-3-024X	2.5	24VCT @ 0.10A	12V @ 0.20A
IL005-1-024X	IL005-2-024X	IL005-3-024X	5.0	24VCT @ 0.21A	12V @ 0.42A
IL010-1-024X	IL010-2-024X	IL010-3-024X	10.0	24VCT @ 0.42A	12V @ 0.84A
IL020-1-024X	IL020-2-024X	IL020-3-024X	20	24VCT @ 0.83A	12V @ 1.66A
IL030-1-024X	IL030-2-024X	IL030-3-024X	30	24VCT @ 1.25A	12V @ 2.5A
IL056-1-024X	IL056-2-024X	IL056-3-024X	56	24VCT @ 2.33A	12V @ 4.66A
IL002-1-028X	IL002-2-028X	IL002-3-028X	2.5	28VCT @ 0.09A	14V @ 0.18A
IL005-1-028X	IL005-2-028X	IL005-3-028X	5.0	28VCT @ 0.18A	14V @ 0.36A
IL010-1-028X	IL010-2-028X	IL010-3-028X	10.0	28VCT @ 0.36A	14V @ 0.72A
IL020-1-028X	IL020-2-028X	IL020-3-028X	20	28VCT @ 0.72A	14V @ 1.44A
IL030-1-028X	IL030-2-028X	IL030-3-028X	30	28VCT @ 1.06A	14V @ 2.12A
IL056-1-028X	IL056-2-028X	IL056-3-028X	56	28VCT @ 2.0A	14V @ 4.0A
IL002-1-036X	IL002-2-036X	IL002-3-036X	2.5	36VCT @ 0.07A	18V @ 0.14A
IL005-1-036X	IL005-2-036X	IL005-3-036X	5.0	36VCT @ 0.14A	18V @ 0.28A
IL010-1-036X	IL010-2-036X	IL010-3-036X	10.0	36VCT @ 0.28A	18V @ 0.56A
IL020-1-036X	IL020-2-036X	IL020-3-036X	20	36VCT @ 0.56A	18V @ 1.12A
IL030-1-036X	IL030-2-036X	IL030-3-036X	30	36VCT @ 0.82A	18V @ 1.64A
IL056-1-036X	IL056-2-036X	IL056-3-036X	56	36VCT @ 1.56A	18V @ 3.12A

Over 365,000 additional Admiral Class (Lead Wires) model configurations available!

Refer to the Part Numbering Scheme on page 36 to **configure your own part** with following options:

- Primary: 120V, 120/240V, 240V,
 - 100/110/120V, 200/220/240V,
 - 120/220/240V, 100/120/200/220/240V
- Secondary: 5V to 240V, in 1V increments
 - Frequency: 50/60Hz, or economy 60Hz-only
 - With or without current or thermal protector(s)

Take advantage of these pre-designed models, or let us customize to your requirements. That's our specialty.