

**PLEASE CHECK WWW.MOLEX.COM FOR LATEST PART INFORMATION**

**Part Number:** **0191951012**  
**Status:** **Active**  
**Description:** MagKrimp™ Square Ring Tongue Terminal for 10-14 AWG Magnet Wire, 4,110-20,760 Circular Mil Area, Stud Size 1/4", Plated

**Documents:**

[Drawing \(PDF\)](#) [Product Specification PS-19902-001 \(PDF\)](#)  
[Product Specification PS-19195-001 \(PDF\)](#) [RoHS Certificate of Compliance \(PDF\)](#)

**Agency Certification**

UL E32244

**General**

Product Family Ring and Spade Terminals  
 Series [19195](#)  
 Comments 4 Wires Maximum  
 Crimp Quality Equipment Yes  
 Mil-Spec N/A  
 Product Name MagKrimp™(Magnet Wire)  
 Type Ring

**Physical**

Barrel Type Open  
 Insulation None  
 Material - Plating Mating Tin  
 Packaging Type Bag  
 Plating min: Mating (µin) 100  
 Plating min: Mating (µm) 2.5  
 Plating min: Termination (µin) 100  
 Plating min: Termination (µm) 2.5  
 Stud Size 1/4" (M6)  
 Temperature Range - Operating -40°C to +100°C  
 Wire Size AWG 10, 12, 14  
 Wire Size mm<sup>2</sup> 2.60- 6.60

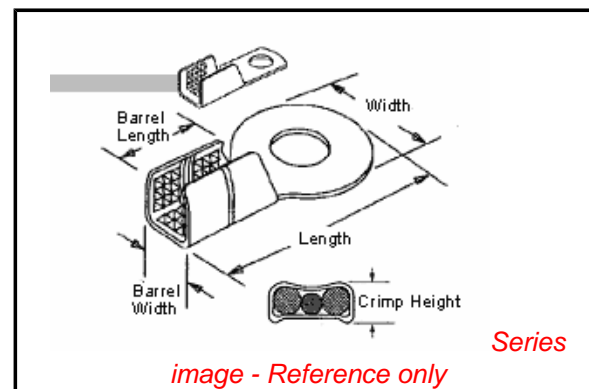
**Electrical**

Voltage - Maximum 2000V

**Material Info**

**Reference - Drawing Numbers**

Product Specification PS-19195-001, PS-19902-001  
 Sales Drawing SD-19195-015



**EU RoHS**

**ELV and RoHS Compliant**  
**REACH SVHC Contains SVHC: No**  
**Halogen-Free Status**  
**Not Reviewed**

**China RoHS**



**Need more information on product environmental compliance?**

Email [productcompliance@molex.com](mailto:productcompliance@molex.com)  
 For a multiple part number RoHS Certificate of Compliance, [click here](#)

Please visit the [Contact Us](#) section for any non-product compliance questions.

**Search Parts in this Series**

[19195Series](#)

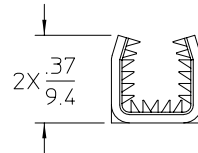
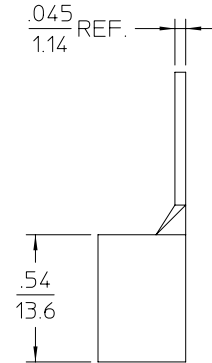
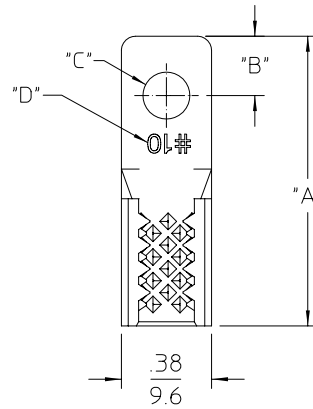
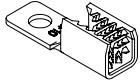
**Application Tooling | [FAQ](#)**

*Tooling specifications and manuals are found by selecting the products below. Crimp Height Specifications are then contained in the Application Tooling Specification document.*

**Global**

Description	Product #
Hydraulic Crimp Dies	0190780130

MATERIAL NUMBER	DIM. "A"	DIM. "B"	DIM. "C"	"D"
191951006	1.22/31.0	.25/6.4	∅.198/5.03	#10
191951012	1.41/35.8	.34/8.5	∅.265/6.73	1/4
191951022	1.22/31.0	.25/6.4	∅.173/4.39	#8



NOTES:

1. MATERIAL: COPPER ALLOY.
2. FINISH: ELECTRO TIN PLATE.  
THICKNESS=100μINCHES MINIMUM.
3. PRODUCT SPECIFICATION: PS-19195-001.
4. PART USED TO CONNECT COPPER OR ALUMINUM SINGLE MAGNET WIRE OR MULTIPLE WIRE COMBINATIONS.
5. COMBINATIONS OF WIRES ARE EITHER MAGNET WIRE TO MAGNET WIRE OR MAGNET WIRE TO LEAD WIRE.

EC NO: ETC2003-0089 DRWN: JPWLICK 2002/09/27 CHKD: JPWLICK 2002/09/27 APPR: RDEROSS 2002/09/27	QUALITY SYMBOLS ▽ = 0 ▽ = 0	GENERAL TOLERANCES (UNLESS SPECIFIED)		SCALE 2:1	DESIGN UNITS INCH	THIRD ANGLE PROJECTION	REVISE ON CAD ONLY		
		4 PLACES ± --- ± ---	3 PLACES ± --- ± ---	DIMENSION STYLE IN/MM		TITLE MAGKRIMP SQUARE RING 4,110-20,760 CMA			
		2 PLACES ± --- ± .010	1 PLACE ± 0.25 ± ---	DRAWN BY JPWLICK	DATE 02/04/03	MOLEX INCORPORATED			
		ANGULAR ± 2 °		CHECKED BY JPWLICK	DATE 02/04/03	MATERIAL NO SEE CHART	DOCUMENT NO SD-19195-015	SHEET NO 1 OF 1	B
DRAFT WHERE APPLICABLE MUST REMAIN WITHIN DIMENSIONS		APPROVED BY RDEROSS	DATE 02/04/03	THIS DRAWING CONTAINS INFORMATION THAT IS PROPRIETARY TO MOLEX INCORPORATED AND SHOULD NOT BE USED WITHOUT WRITTEN PERMISSION					