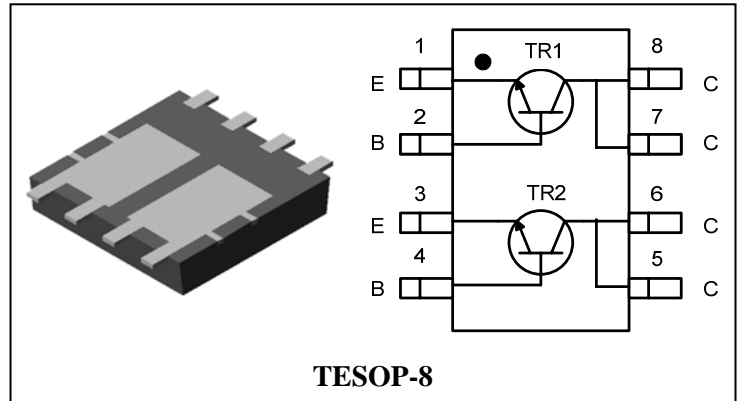


## Descriptions

- General purpose amplifier
- Recommended for LED Drive Application

## Features

- Thermally Enhanced Power PKG
- Low saturation:  $V_{CE(sat)} = 0.4V$  Max
- 2 NPN chips in TESOP-8 Package



## Ordering Information

Type NO.	Marking	Package Code
SUT061	SUT061□	TESOP-8

□ : Year & Week Code

## Absolute maximum ratings(TR1, TR2)

( $T_a = 25^\circ C$ )

Characteristic	Symbol	Ratings	Unit
Collector-Base voltage	$V_{CBO}$	80	V
Collector-Emitter voltage	$V_{CEO}$	60	V
Emitter-Base voltage	$V_{EBO}$	5	V
Collector current	$I_C$	1	A(DC)
	$I_{CP}^*$	2	A(Pulse)
Collector power dissipation	$P_C(T_a = 25^\circ C)^{**}$	0.75	W/TOTAL
		0.55	W/ELEMENT
	$P_C(T_c = 25^\circ C)$	7.5	W/TOTAL
Junction temperature	$T_J$	150	$^\circ C$
Storage temperature	$T_{stg}$	-55~150	$^\circ C$

\* : Single pulse,  $t_p = 300 \mu s$

\*\* : Each terminal mounted on a recommended solder land

## Electrical Characteristics(TR1, TR2)

Characteristic	Symbol	Test Condition	Min.	Typ.	Max.	Unit
Collector-Base breakdown voltage	$BV_{CBO}$	$I_C = 100 \mu A, I_E = 0$	80	-	-	V
Collector-Emitter breakdown voltage	$BV_{CEO}$	$I_C = 1mA, I_B = 0$	60	-	-	V
Emitter-Base breakdown voltage	$BV_{EBO}$	$I_E = 10mA, I_C = 0$	5	-	-	V
Collector cut-off current	$I_{CBO}$	$V_{CB} = 60V, I_E = 0$	-	-	0.1	$\mu A$
Emitter cut-off current	$I_{EBO}$	$V_{EB} = 5V, I_C = 0$	-	-	0.1	$\mu A$
DC current gain	$h_{FE}^{1)}$	$V_{CE} = 2V, I_C = 100mA$	200	-	400	-
		$V_{CE} = 2V, I_C = 1A$	80	-	-	
Base-Emitter on voltage	$V_{BE(ON)}$	$V_{CE} = 2V, I_C = 500mA$	-	-	1.2	V
Collector-Emitter saturation voltage	$V_{CE(sat)}$	$I_C = 500mA, I_B = 50mA$	-	-	0.4	V
Collector output capacitance	$C_{ob}$	$V_{CB} = 10V, I_E = 0, f = 1MHz$	-	10	-	pF
Transition frequency	$f_T$	$V_{CB} = 10V, I_C = 50mA$	-	160	-	MHz

Note 1)  $h_{FE}$  Rank : 200~400 only

Electrical Characteristic Curves(TR1, TR2)

Fig. 1  $P_C - T_a$

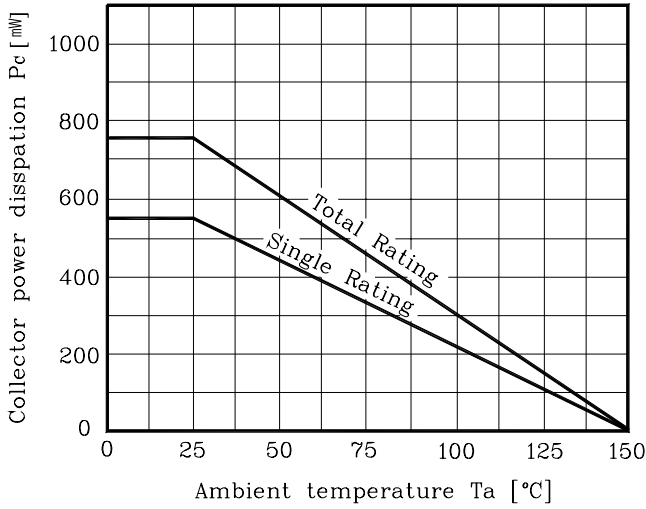


Fig. 2  $V_{CE} - I_C$

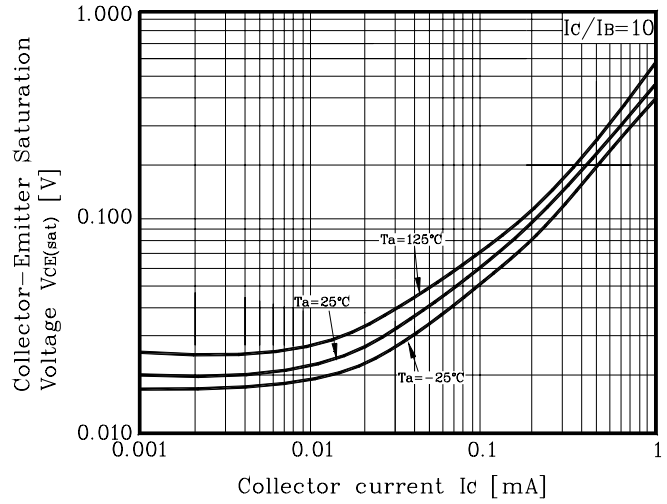


Fig. 3  $h_{FE} - I_C$

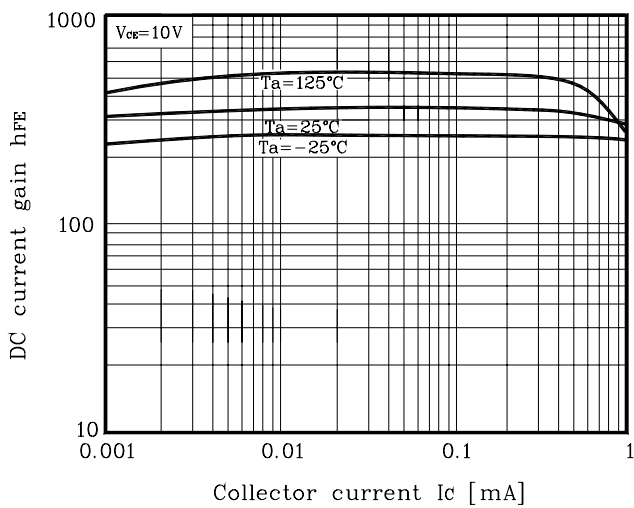


Fig. 4  $h_{FE} - I_C$

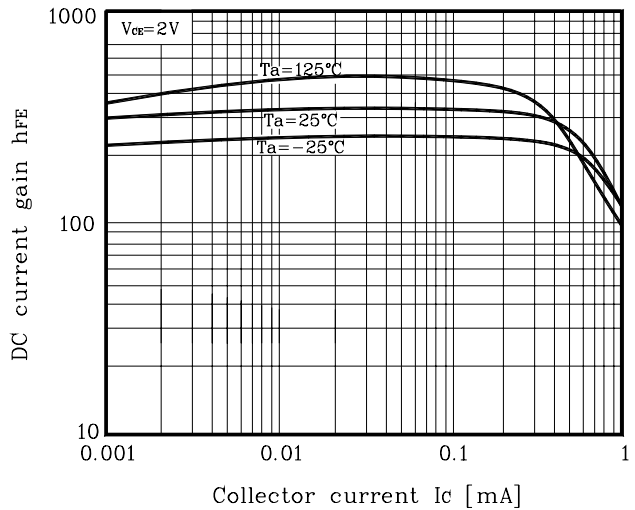


Fig. 5  $h_{FE} - I_C$

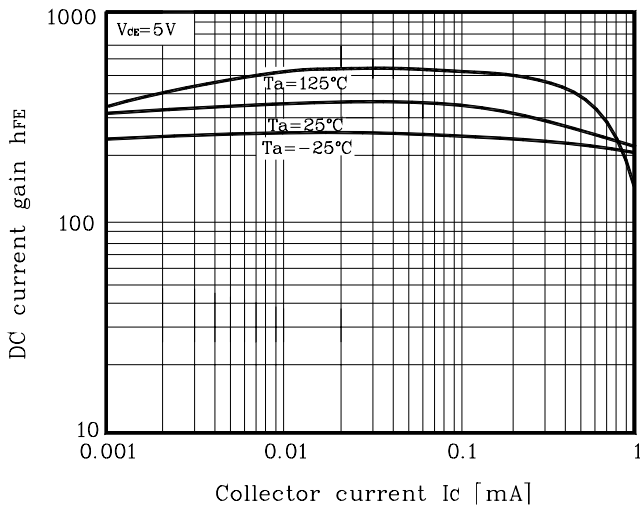
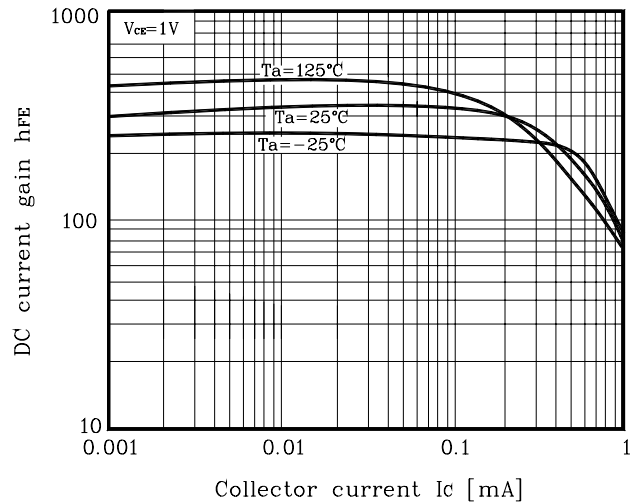


Fig. 6  $h_{FE} - I_C$



Electrical Characteristic Curves

Fig. 7  $C_{ob} - V_{CB}$

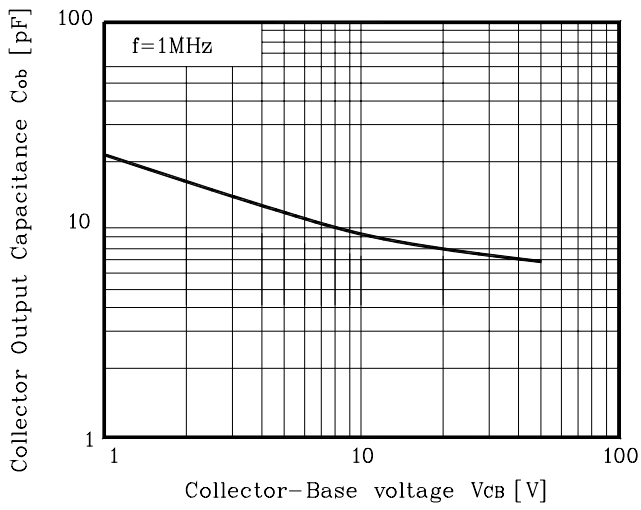


Fig. 8  $I_C - V_{CE}$

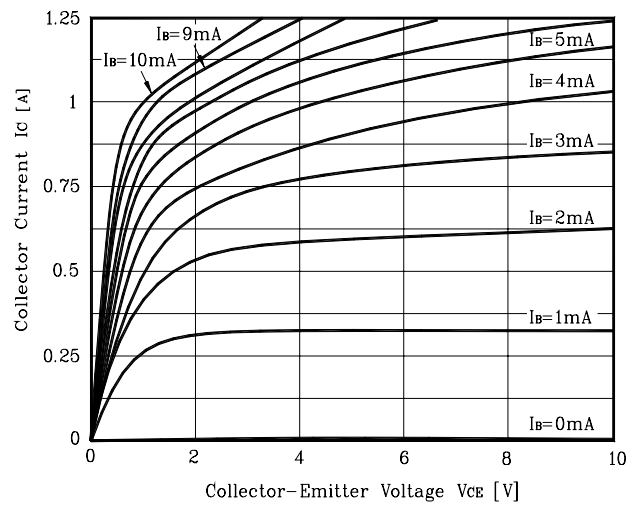


Fig. 9  $f_T - I_C$

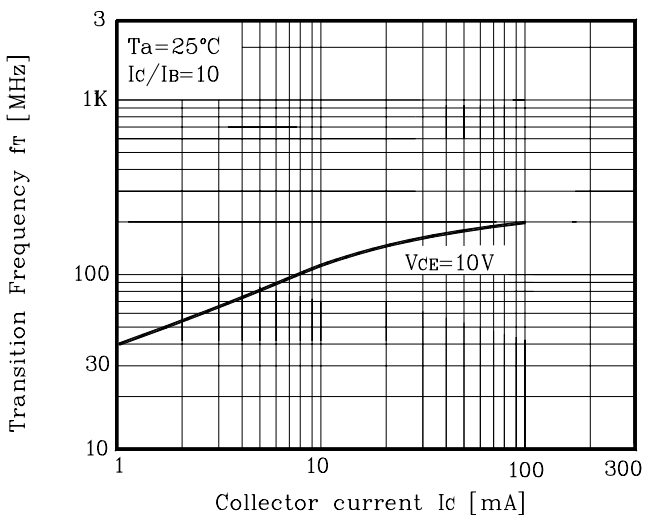
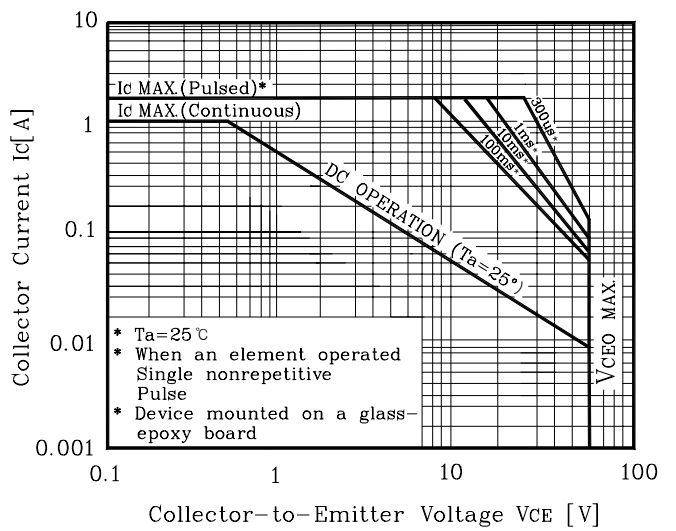
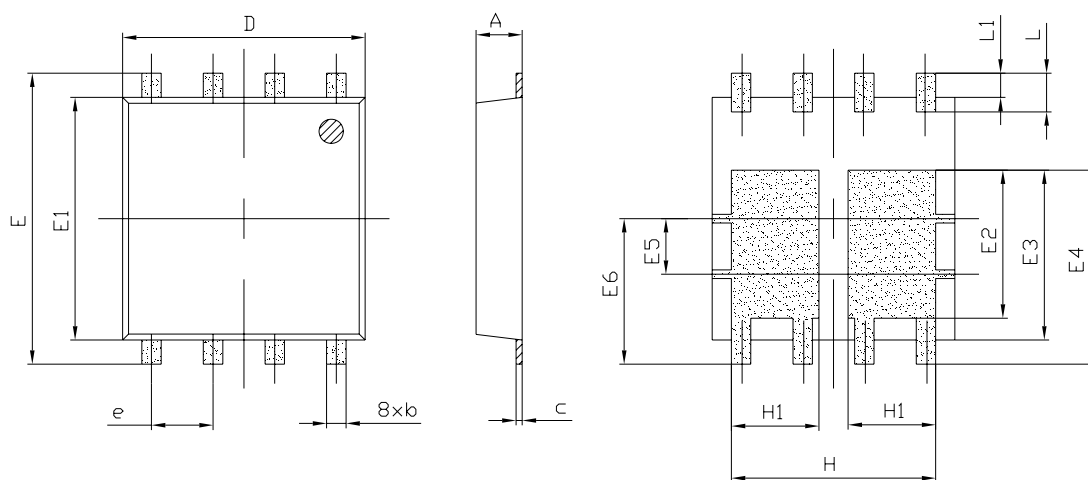


Fig. 10 Safe operating Area

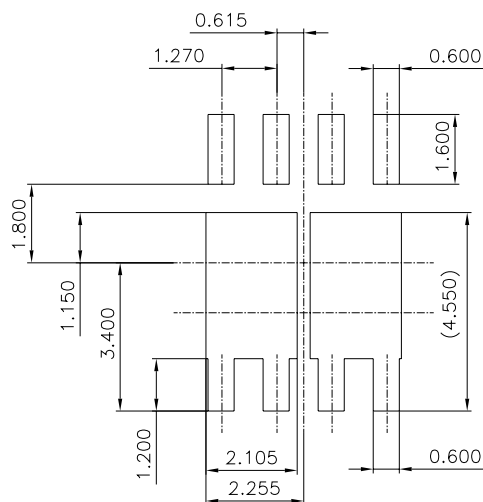


## Outline Dimension



SYMBOL	MILLIMETER(mm)			NOTE
	MINIMUM	NOMINAL	MAXIMUM	
A	0.900	0.950	1.000	
b	0.350	0.400	0.500	
c	0.077	0.127	0.157	
D	4.900	5.000	5.100	
E	5.850	6.000	6.150	
E1	4.900	5.000	5.100	
E2	2.850	3.050	3.250	
E3	3.300	3.500	3.700	
E4	3.800	4.000	4.200	
E5	1.145 TYP			
E6	3.000 TYP			
e	1.270 TYP			
H	4.210 TYP			
H1	1.805 TYP			
L	0.650	0.800	0.950	
L1	0.350	0.500	0.650	

※Recommend PCB solder land [Unit: mm]



**The AUK Corp. products are intended for the use as components in general electronic equipment (Office and communication equipment, measuring equipment, home appliance, etc.).**

**Please make sure that you consult with us before you use these AUK Corp. products in equipments which require high quality and / or reliability, and in equipments which could have major impact to the welfare of human life(atomic energy control, airplane, spaceship, transportation, combustion control, all types of safety device, etc.). AUK Corp. cannot accept liability to any damage which may occur in case these AUK Corp. products were used in the mentioned equipments without prior consultation with AUK Corp..**

**Specifications mentioned in this publication are subject to change without notice.**