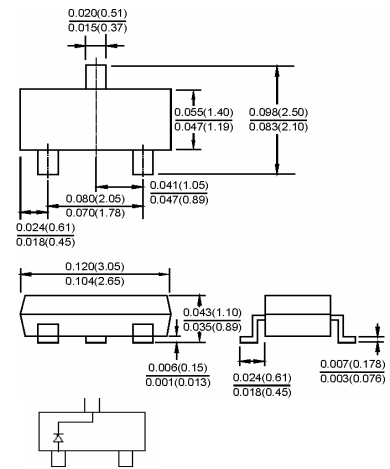


SOT-23



Features

- ◇ Surface mount package ideally suited for automatic insertion.

Applications

- ◇ Sourced from process GE.

Ordering Information

Type No.	Marking	Package Code
MMBD701	5HF	SOT-23

MAXIMUM RATING @ Ta=25°C unless otherwise specified

Characteristic	Symbol	Limits	Unit
DC Reverse Voltage	V_R	70	V
Working inverse Voltage	W_{iv}	35	V
Power Dissipation	P_d	200	mW
Operating Junction Temperature	T_j	-55 to +125	°C
Storage Temperature	T_{STG}	-55 to +150	°C

ELECTRICAL CHARACTERISTICS @ Ta=25°C unless otherwise specified

Characteristic	Symbol	Min.	TYP.	MAX	UNIT	Test Condition
Reverse Breakdown Voltage	$V_{(BR)R}$	70			V	$I_R=10\mu A$
Forward Voltage	V_F			500 1000	mV	$I_F=1.0mA$ $I_F=10mA$
Reverse Current	I_R			200	nA	$V_R=35V$
Diode Capacitance	C_D			1.0	pF	$V_R=20V, f=1.0MHz$