

Specification

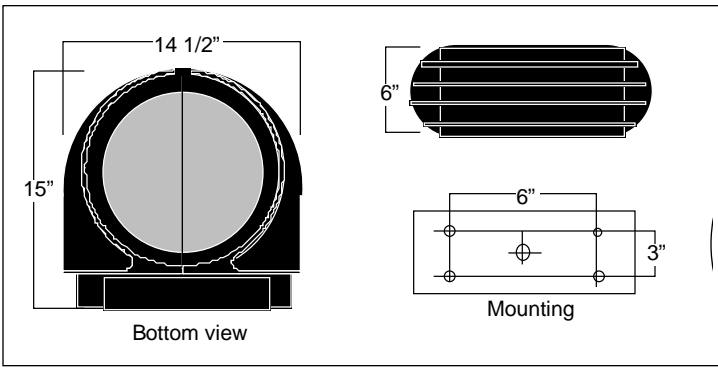
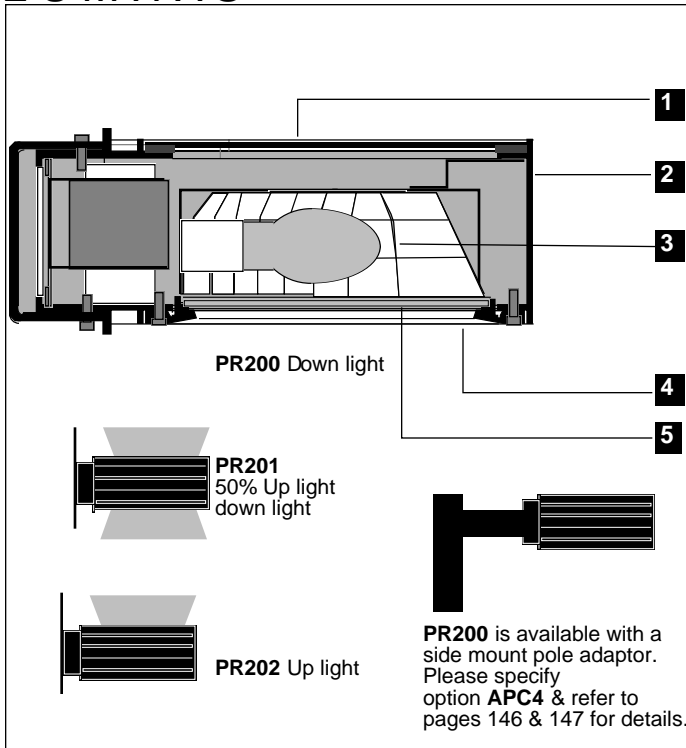
PR200 . PR201 . PR202

All exposed cast aluminum components are made of non corrosive pure aluminum copper free (Aluminum is less than .1% copper content.#356 alloy.)

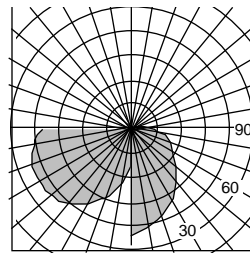
Finish: All polyester powder baked coatings preceded with a 5 baths preparation process. Meets military grade MIL-C781706 with a 2000 hours salt spray test.

- Pulse rated medium base porcelain socket.
- 75W/600V thermoplastic compact fluorescent socket.
- One-piece molded silicone gasket with memory retention.
- High power factor CWA ballast. Or 98% P.F.electronic smart ballast with end of life detection for compact fluorescent.
- All stainless steel hardware.
- All Moving and removable parts are sealed with a memory retention silicone gasket.

- 1- Open or closed top with sealed clear tempered lens or sealed aluminum cover.(Flush mount for dust and debris free.)
- 2- One piece cast aluminum luminaire housing.
- 3- Standard type III specular reflector.
- 4- One piece cast aluminum lens frame.
- 5- Clear tempered glass.



Photometry



Separate updated technical specification sheets with related models and light sources with I.E.S formatted photometry are available on www.luminis.com.

Certification

UL. Wet Location.

Mounting & EPA

Max. Max. weight: 38 lbs. Installation: Mounts over a standard 4" octagonal electrical box with 3 1/2" c/c mounting holes.

For options details and specifications, please refer to page 42 & 72

Model#	Light source selection	Voltage	Finish	Options
<input type="checkbox"/> PR200 <input type="checkbox"/> PR201 <input type="checkbox"/> PR202	<div style="display: flex; justify-content: space-between;"> <div> <p>MH (ED17)</p> <input type="checkbox"/> M70 <input type="checkbox"/> M100 <input type="checkbox"/> M150 <input type="checkbox"/> M175</div> <div> <p>HPS (ED17)</p> <input type="checkbox"/> H70 <input type="checkbox"/> H100 <input type="checkbox"/> H150</div> </div> <div style="display: flex; justify-content: space-between;"> <div> <p>CF (Gx24q)</p> <p>Single lamp</p> <input type="checkbox"/> F157 <input type="checkbox"/> F170</div> <div> <p>CF (Gx24q)</p> <p>Two lamps</p> <input type="checkbox"/> F232 <input type="checkbox"/> F242 <input type="checkbox"/> F257 <input type="checkbox"/> F270</div> </div>	<p>120 V Standard factory prewired (If no voltage is specified)</p> <p>For other voltages, please specify with catalog number.</p> <p>H.I.D.</p> <input type="checkbox"/> 208 V <input type="checkbox"/> 240 V <input type="checkbox"/> 277 V <input type="checkbox"/> 347 V	<p>(Refer to color chart)</p> <p><u>Standard selection</u></p> <input type="checkbox"/> WHT: Snow white <input type="checkbox"/> BKT: Jet black <input type="checkbox"/> BZT: Bronze <input type="checkbox"/> GRT: Titanium gray <input type="checkbox"/> DGT: Gun metal <input type="checkbox"/> CHT: Champagne <input type="checkbox"/> MST: Matte silver <input type="checkbox"/> GNT: Forest green	<p><input type="checkbox"/> APC4: Side pole mount adaptor</p> <p>Electrical</p> <input type="checkbox"/> EM42S: 1 lamp (26/32/42W) <input type="checkbox"/> FS: Fuse <input type="checkbox"/> PH1: 120/277V photo cell <input type="checkbox"/> PH2: 347V photo cell <input type="checkbox"/> QS: Standby lamp socket. <input type="checkbox"/> QRS: H.I.D. lamp restrike
	<p>(Lamps by others)</p>	<p>COMP. FLUO.</p> <p>Smart ballast 120/277</p> <input type="checkbox"/> 347 V (To specify)	<p><u>Optional colors</u></p> <input type="checkbox"/> CS: Custom color <input type="checkbox"/> RAL: RAL# color	<p>Note: EM optional battery test switch and pilot lamp are installed remotely. (see page 72)</p>

Luminaries may be altered for design improvements or discontinued without prior notice.