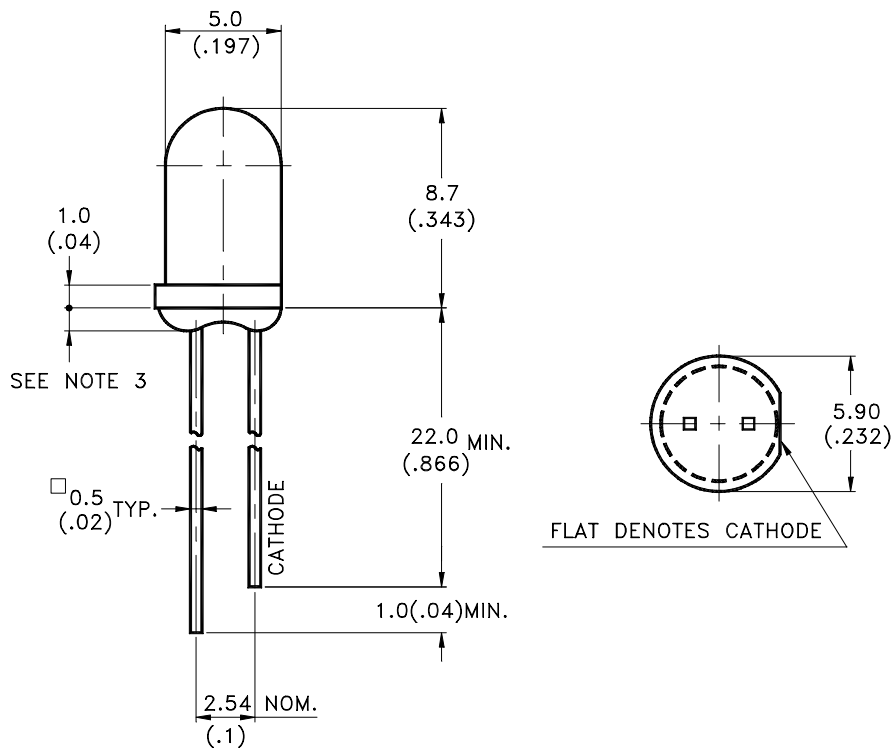


Features

- * High luminous intensity output.
- * Low power consumption.
- * High efficiency.
- * Versatile mounting on P.C. board or panel.
- * I.C. Compatible/low current requirements.
- * Popular T-1 3/4 diameter.

Package Dimensions



| Part No. | Lens | Source Color |
|-------------|-------------|--------------------|
| LTL2R3JRKNN | Water Clear | AllInGaP Super Red |

Notes:

1. All dimensions are in millimeters (inches).
2. Tolerance is $\pm 0.25\text{mm}(.010\text{'})$ unless otherwise noted.
3. Protruded resin under flange is 1.0mm(.04") max.
4. Lead spacing is measured where the leads emerge from the package.
5. Specifications are subject to change without notice.



Absolute Maximum Ratings at TA=25°C

| Parameter | Maximum Rating | Unit |
|--|---------------------|-------|
| Power Dissipation | 75 | mW |
| Peak Forward Current (1/10 Duty Cycle, 0.1ms Pulse Width) | 90 | mA |
| Continuous Forward Current | 30 | mA |
| Derating Linear From 50°C | 0.4 | mA/°C |
| Reverse Voltage | 5 | V |
| Operating Temperature Range | -40°C to + 100°C | |
| Storage Temperature Range | -55°C to + 100°C | |
| Lead Soldering Temperature [1.6mm(.063") From Body] | 260°C for 5 Seconds | |

Electrical / Optical Characteristics at TA=25°C

| Parameter | Symbol | Min. | Typ. | Max. | Unit | Test Condition |
|--------------------------|-------------------|------|------|------|------|-----------------------------------|
| Luminous Intensity | I _v | 110 | 240 | | mcd | I _F = 20mA Note 1,2 |
| Viewing Angle | 2θ _{1/2} | | 30 | | deg | Note 3 (Fig.5) |
| Peak Emission Wavelength | λ _P | | 639 | | nm | Measurement @Peak (Fig.1) |
| Dominant Wavelength | λ _d | | 631 | | nm | Note 5 |
| Spectral Line Half-Width | Δλ | | 20 | | nm | |
| Forward Voltage | V _F | | 2.0 | 2.4 | V | I _F = 20mA |
| Reverse Current | I _R | | | 100 | μA | V _R = 5V |
| Capacitance | C | | 40 | | pF | V _F = 0, f = 1MHz |

NOTE: 1. Luminous intensity is measured with a light sensor and filter combination that approximates the CIE eye-response curve.

2. Luminous intensity rank :

“F” class represents I_v min = 110 mcd and max = 140 mcd.

“G” class represents I_v min = 140 mcd and max = 180 mcd.

“H” class represents I_v min = 180 mcd and max = 240 mcd.

“J” class represents I_v min = 240 mcd and max = 310 mcd.

“K” class represents I_v min = 310 mcd and max = 400 mcd.

“L” class represents I_v min = 400 mcd and max = 520 mcd.

3. θ_{1/2} is the off-axis angle at which the luminous intensity is half the axial luminous intensity.

4. I_v classification code is marked on each packing bag.

5. The dominant wavelength, λ_d is derived from the CIE chromaticity diagram and represents the single wavelength which defines the color of the device.

Typical Electrical / Optical Characteristics Curves

(25°C Ambient Temperature Unless Otherwise Noted)

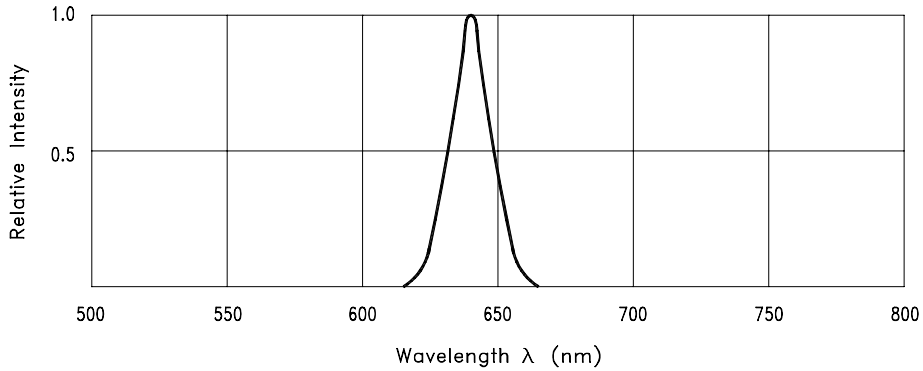


Fig.1 Relative Intensity vs. Wavelength

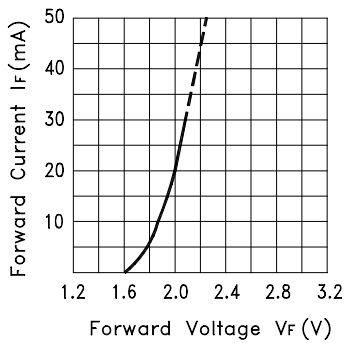


Fig.2 Forward Current vs. Forward Voltage

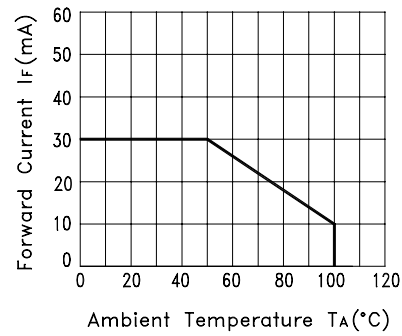


Fig.3 Forward Current Derating Curve

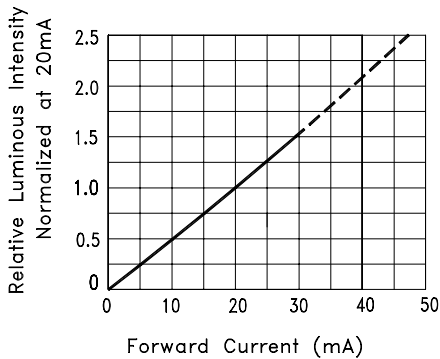


Fig.4 Relative Luminous Intensity vs. Forward Current

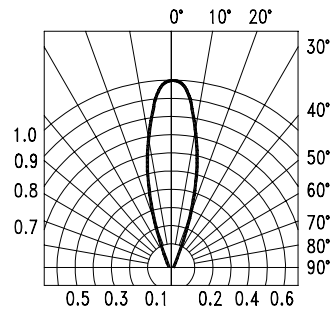


Fig.5 Spatial Distribution