

HIGH SPEED CMOS LOGIC IC ELM7SH00xB 2-input NAND gate

■General description

ELM7SH00xB is CMOS 2-input NAND gate which is suitable for battery-operated devices because of its ultra high speed operation performed by low voltage. The low power consumption contributes to longer battery life, which makes long time operation of devices possible. The internal circuit which provides high noise immunity and stable output is composed of 3 stages, including buffered output.

■Features

- Same electrical characteristic and high speed operation as 74VHC series
- Low consumption current : $I_{dd}=1.0\mu A(\text{Max.})(T_{op}=25^{\circ}C)$
- Wide power voltage range : 2.0V to 5.5V
- Wide input voltage range : $V_{ih}=5.5V(\text{Max.})(V_{dd}=0 \text{ to } 5.5V)$
- High speed : $T_{pd}=2ns(\text{Typ.})(V_{dd}=5.0V)$
- Small package : SOT-25, SC-70-5(SOT-353)
- Same function and pin configuration as ELM7SxxB

■Application

- Cell phones
- Digital cameras
- Portable electrical appliances like PDA, etc.
- Computers and peripherals
- Digital electrical appliances like LCD TV sets, DVD recorders/players, STB, etc.
- Modification inside print board, adjustment of timing, solution to noise
- Power voltage change from 5V to 3V

■Selection guide

ELM7SH00xB-EL

Symbol		
a	Function	00: 2-input NAND gate
b	Package	M: SOT-25 T : SC-70-5(SOT-353)
c	Product version	B
d	Taping direction	EL: Refer to PKG file

ELM7SH 00 x B - EL
 $\begin{matrix} \uparrow & \uparrow & \uparrow & \uparrow \\ a & b & c & d \end{matrix}$

■Maximum absolute ratings

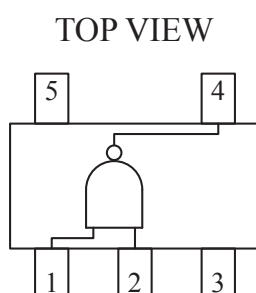
Parameter	Symbol	Limit	Unit
Power supply voltage	V _{dd}	-0.5 to +6.0	V
Input voltage	V _{in}	-0.5 to +6.0	V
Output voltage	V _{out}	-0.5 to V _{dd} +0.5	V
Input protection diode current	I _{ik}	-20	mA
Output parasitic diode current	I _{ok}	±20	mA
Output current	I _{out}	±25	mA
VDD/GND current	I _{dd} , I _{gnd}	±50	mA
Power dissipation	P _d	150	mW
Storage temperature	T _{stg}	-65 to +150	°C

HIGH SPEED CMOS LOGIC IC ELM7SH00xB 2-input NAND gate

■Suggested operating condition

Parameter	Symbol	Limit		Unit
Power voltage	Vdd	2.0 to 5.5		V
Input voltage	Vin	0 to 5.5		V
Output voltage	Vout	0 to Vdd		V
Operating temperature	Top	-40 to +85		°C
High-input down-time	tr, tf	Vdd=3.3±0.3V	0 to 200	ns
		Vdd=5.0±0.5V	0 to 100	

■Pin configuration



Pin No.	Pin name
1	INB
2	INA
3	GND
4	OUTX
5	VDD

Input		Output
INA	INB	OUTX
Low	Low	High
Low	High	High
High	Low	High
High	High	Low

■DC electrical characteristics

Parameter	Sym.	Vdd	Top=25°C			Top=-40 to +85°C		Unit	Condition		
			Min.	Typ.	Max.	Min.	Max.				
Input voltage	Vih	2.0	1.50			1.50		V			
		3.0	2.10			2.10					
		5.5	3.85			3.85					
	Vil	2.0			0.50		0.50	V			
		3.0			0.90		0.90				
		5.5			1.65		1.65				
Output voltage	Voh	2.0	1.90	2.00		1.90		V	Vin=Vil or Vih	Ioh=-50μA	
		3.0	2.90	3.00		2.90				Ioh=-4mA	
		4.5	4.40	4.50		4.40				Ioh=-8mA	
		3.0	2.58			2.48					
		4.5	3.94			3.80					
	Vol	2.0			0.10		0.10	V	Vin=Vih	Iol=50μA	
		3.0			0.10		0.10				
		4.5			0.10		0.10				
		3.0			0.36		0.44				Iol=4mA
		4.5			0.36		0.44				Iol=8mA
Input current	In	5.5	-0.1		0.1	-1.0	1.0	μA	Vin=Vdd or GND		
Static current	Idd	5.5			1.0		10.0	μA	Vin=Vdd or GND		

HIGH SPEED CMOS LOGIC IC ELM7SH00xB 2-input NAND gate

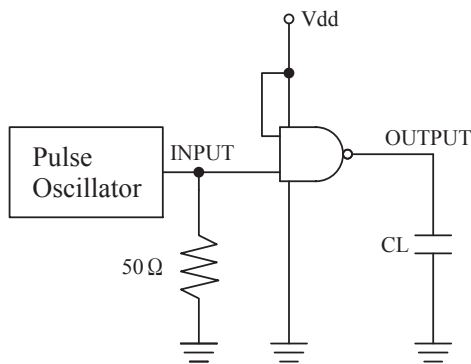
■ AC electrical characteristics

$t_r=t_f=3\text{ns}$

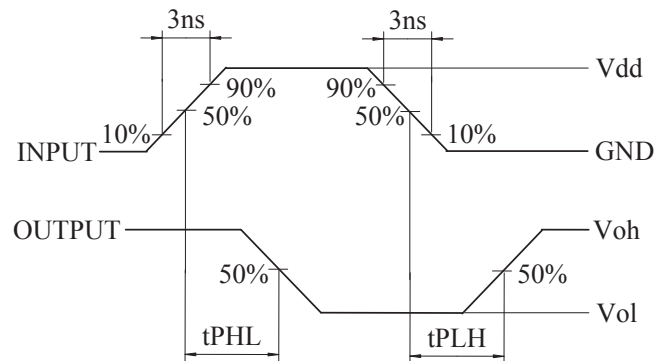
Parameter	Sym.	Vdd	CL	Top=25°C			Top=-40 to +85°C		Unit	Condition
				Min.	Typ.	Max.	Min.	Max.		
Propagation delay-time	tPLH	3.3±0.3	15		3.7	7.9	1.0	9.5	ns	Refer to test circuit
	tPHL				3.3	7.9	1.0	9.5		
	tPLH	3.3±0.3	50		5.4	11.4	1.0	13.0		
	tPHL				4.6	11.4	1.0	13.0		
	tPLH	5.0±0.5	15		2.7	5.5	1.0	6.5		
	tPHL				2.5	5.5	1.0	6.5		
	tPLH	5.0±0.5	50		3.6	7.5	1.0	8.5		
	tPHL				3.5	7.5	1.0	8.5		
Input capacity	Cin	5.0			2.0	10.0		10.0	pF	Vin=Vdd or GND
Equivalent inner capacity	Cpd				9.3				pF	f=1MHz

* Cpd is IC's inner equivalent capacity which is calculated from non-loaded operating current consumption referred to test circuit. Averaged operating current consumption at non load is calculated as following formula: $I_{dd(opr)}=Cpd \cdot V_{dd} \cdot f_{in}+I_{dd}$

■ Test circuit



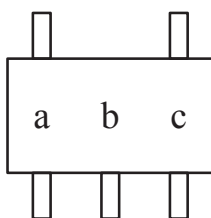
■ Measured wave pattern



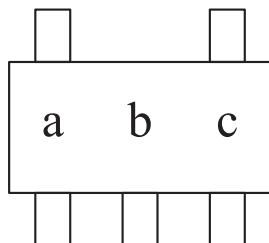
* Output should be opened when measuring current consumption.

■ Marking

SC-70-5



SOT-25



Symbol	Mark	Content
a	F	ELM7SH series
b	1	ELM7SH00xB
c	A to Z (except I, O, X)	Lot No.