

**PLEASE CHECK WWW.MOLEX.COM FOR LATEST PART INFORMATION**

**Part Number:** [0795161025](#)  
**Status:** **Active**  
**Overview:** [microfit\\_30](#)  
**Description:** Micro-Fit Overmolded Cable Assembly, 2 Circuit, 5.0m (16.40' ) Length

**Documents:**

[Drawing \(PDF\)](#) [RoHS Certificate of Compliance \(PDF\)](#)

**General**

Product Family	Cable Assemblies
Series	<a href="#">79516</a>
Connector to Connector	Micro-Fit-to-Micro-Fit
Overview	<a href="#">microfit_30</a>
Product Name	Micro-Fit 3.0™

**Physical**

Cable Length	5.0m (16.40' )
Circuits (Loaded)	2
Color - Resin	Black
Gender	Female-Female
Lock to Mating Part	Yes
Material - Metal	Phosphor Bronze
Material - Plating Mating	Tin
Material - Plating Termination	Tin
Material - Resin	Polyester, PVC
Packaging Type	Bag
Pitch - Mating Interface (in)	0.118 In
Pitch - Mating Interface (mm)	3.00 mm
Plating min: Mating (µin)	40
Plating min: Mating (µm)	1.00
Plating min: Termination (µin)	40
Plating min: Termination (µm)	1.00
Single Ended	No
Wire Insulation Diameter	N/A
Wire Size AWG	26
Wire/Cable Type	Jacketed

**Electrical**

Current - Maximum per Contact	5A
Shielded	No
Voltage - Maximum	250V

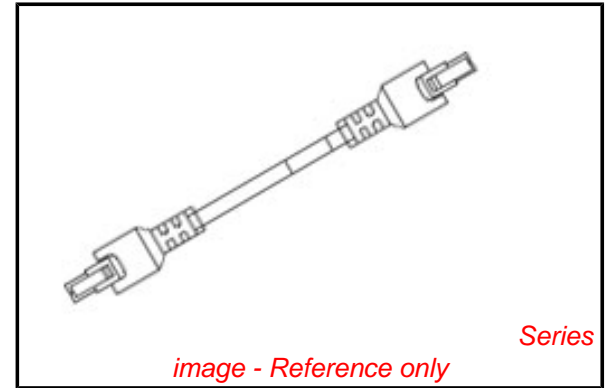
**Solder Process Data**

Max. Cycles at Max. Process Temperature	0
---	---

**Material Info**

**Reference - Drawing Numbers**

Sales Drawing	SD-79516-001
---------------	--------------



*image - Reference only*

**EU RoHS**

**ELV and RoHS  
Compliant**  
**REACH SVHC**  
 Not Reviewed  
**Halogen-Free  
Status**

**China RoHS**



**Need more information on product  
environmental compliance?**

Email [productcompliance@molex.com](mailto:productcompliance@molex.com)  
 For a multiple part number RoHS Certificate of  
 Compliance, [click here](#)

Please visit the [Contact Us](#) section for any  
 non-product compliance questions.

**Search Parts in this Series**

[79516Series](#)

6

5

4

3

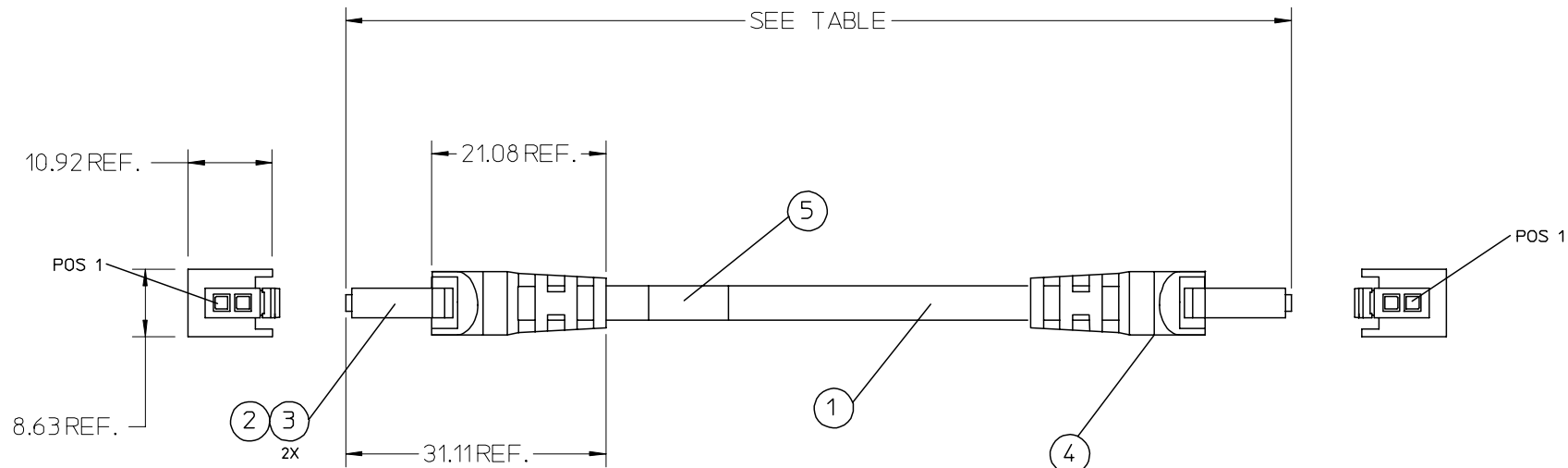
2

1

P/N	LENGTH
79516-1021	1000 +/-50MM
79516-1023	3000 +/-100MM
79516-1025	5000 +/-150MM

EXT. "A"

EXT. "B"



## NOTES:

- PIN CONNECTION ACCORDING TO TABLE.
- LABEL CABLE WITH FOLLOWING INFORMATION:  
P/N (SEE TABLE)  
REV. (SEE REVISION TABLE)  
M/D WW/YY  
ASSEMBLED IN MEXICO

## WIRING CHART

EXT. "A"		EXT. "B"
POS.	COLOR	POS.
1	BLACK	1
2	WHITE	2

ITEM	P/N	DESCRIPTION	QTY
5	0799212000	PLASTIC LABEL 0-TW10F	1 PC
4	0899920428	PVC 15% MF BLACK UL94V-2	A/R
3	0430300004	MicroFit 3.0 F Crp Term Chn Tin 26-30	4 PC
2	0430250200	MicroFit 3.0 DR Rcpt PnlMnt 2Ckt	2 PC
1	0799232214	CABLE 2 COND, 26AWG, JACKETED	A/R

REVISION	DESCRIPTION	QUALITY SYMBOLS	GENERAL TOLERANCES (UNLESS SPECIFIED)		DIMENSION STYLE		SCALE	DESIGN UNITS	THIRD ANGLE PROJECTION
			mm	INCH	MM ONLY	MM ONLY			
		▽=0	4 PLACES	±----	±----	DRAWN BY	DATE	MICRO-FIT OVERMOLDED ASSEMBLY 2 CKT 1, 3 & 5 MTS.	MOLEX INCORPORATED
		▽=0	3 PLACES	±----	±----	AOROZCO	10/10/2003		
			2 PLACES	±----	±----	CHECKED BY	DATE		
			1 PLACE	±----	±----	AOROZCO	10/10/2003		
			ANGULAR ±----°		APPROVED BY	DATE			
			DRAFT WHERE APPLICABLE MUST REMAIN WITHIN DIMENSIONS		MATERIAL NO.		VARIOS	DOCUMENT NO.	SHEET NO.
					SIZE	THIS DRAWING CONTAINS INFORMATION THAT IS PROPRIETARY TO MOLEX INCORPORATED AND SHOULD NOT BE USED WITHOUT WRITTEN PERMISSION			

5

4

3

2

1