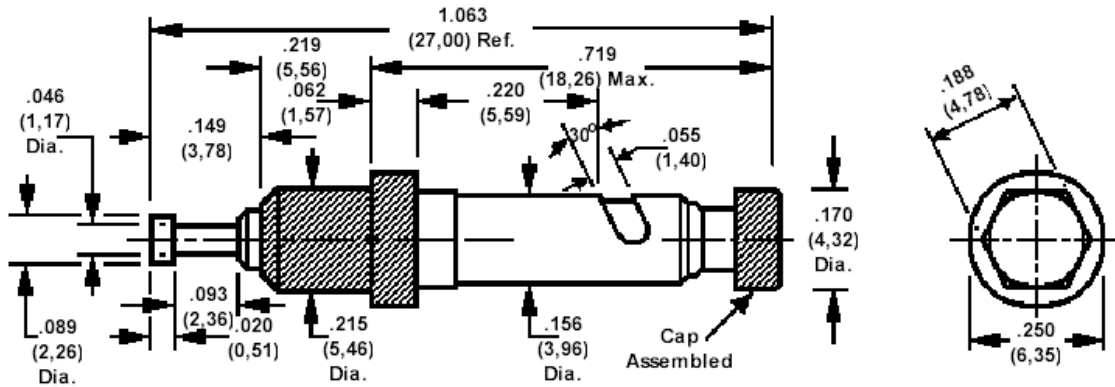


410-4521 Component Clip, .055 (1,40) Slot, Press mnt, Insulated, Capped Plunger

Recommended mounting hole .203 (5,16) mtg hole



Recommended Lead Wire Sizes - #24 AWG (.020) (0,51) Min. Thru #17 AWG (.045) (1,15) Max.

How to order code

410-4521-01-05-19

Basic Part No

Basic Part Number	For Panel Thickness	Flashover at Sea Level (VRMS)	Capacitance (pF)
410-4521-01	.040 (1,02) to .125 (3,18)	2500	1.0

Component	Material	Finish
Insulator	Teflon	White
Cap	Nylon	Natural
Housing	Brass	Electro Solder
Plunger	Brass	Electro Solder
Spring	Cres. Steel	Passivated

Teflon is a registered trademark of Dupont