

New Jersey Semi-Conductor Products, Inc.

20 STERN AVE.
 SPRINGFIELD, NEW JERSEY 07081
 U.S.A.

TELEPHONE: (973) 378-2922
 (212) 227-6005
 FAX: (973) 378-8960

PARAMETERS

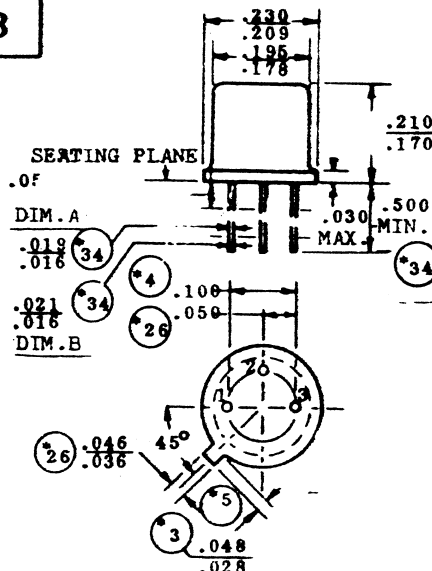
2N3947
 SI NPN LP HF BJT

Description: Si NPN LP HF BJT

Manufacturer.....	
Mil/High-Rel? (Y/N).....	
Vbr CEO.....	40
Trans. Freq (Hz) Min.....	300M
hfe.....	100s
@VCE (test) (V).....	1.0
@Ic (A).....	10m
Ic Max. (A).....	200m
C(ob) (F).....	4p
Icbo Max. @Vcb Max. (A).....	10nXw
t(on) Delay (S).....	35n
Tr Max. (s).....	300n
t(stor) Max. (S).....	375n
t(f) Max. (S).....	75n
Max. PD (W).....	360m
Derate (Amb) (W/xC).....	2.0m
Vbr CBO.....	60
Oper. Temp (xC) Max.....	175u
Pkg Style.....	TO-18
Pinout Equivalence Number.....	3-12
Surface Mounted Yes/No.....	NO

u Junction Temperature s Minimum X @ Below Vcb(max) w ICEX

TO18



NJ Semi-Conductors reserves the right to change test conditions, parameter limits and package dimensions without notice. Information furnished by NJ Semi-Conductors is believed to be both accurate and reliable at the time of going to press. However NJ Semi-Conductors assumes no responsibility for any errors or omissions discovered in its use. NJ Semi-Conductors encourages customers to verify that datasheets are current before placing orders.