

## Linear Systems replaces discontinued Siliconix PN5018

### The PN5018 is a single P-Channel JFET switch

This p-channel analog switch is designed to provide low on-resistance and fast switching.

The TO-92 provides a low cost option and ease of manufacturing.

(See Packaging Information).

#### PN5018 Benefits:

- Low Insertion Loss
- No offset or error voltage generated by closed switch
- Purely resistive

#### PN5018 Applications:

- Analog Switches
- Commutators
- Choppers

#### FEATURES

DIRECT REPLACEMENT FOR SILICONIX PN5018

ZERO OFFSET VOLTAGE

LOW ON RESISTANCE

$r_{DS(on)} \leq 75\Omega$

**ABSOLUTE MAXIMUM RATINGS**  
@ 25°C (unless otherwise noted)

#### Maximum Temperatures

Storage Temperature

-55°C to +200°C

Operating Junction Temperature

-55°C to +200°C

#### Maximum Power Dissipation

Continuous Power Dissipation

500mW

#### MAXIMUM CURRENT

Gate Current (Note 1)

$I_G = -50\text{mA}$

#### MAXIMUM VOLTAGES

Gate to Drain Voltage

$V_{GDS} = 30\text{V}$

Gate to Source Voltage

$V_{GSS} = 30\text{V}$

#### PN5018 ELECTRICAL CHARACTERISTICS @ 25°C (unless otherwise noted)

SYMBOL	CHARACTERISTIC	MIN	TYP.	MAX	UNITS	CONDITIONS
$BV_{GSS}$	Gate to Source Breakdown Voltage	30	--	--	V	$I_G = 1\mu\text{A}, V_{DS} = 0\text{V}$
$V_{GS(off)}$	Gate to Source Cutoff Voltage	--	--	10		$V_{DS} = -15\text{V}, I_D = -1\mu\text{A}$
$V_{DS(on)}$	Drain to Source On Voltage	--	--	-0.5		$V_{GS} = 0\text{V}, I_D = -6\text{mA}$
$I_{DSS}$	Drain to Source Saturation Current (Note 2)	-10	--	--	mA	$V_{DS} = -20\text{V}, V_{GS} = 0\text{V}$
$I_{GSS}$	Gate Reverse Current	--	--	2	nA	$V_{GS} = 15\text{V}, V_{DS} = 0\text{V}$
$I_{D(off)}$	Drain Cutoff Current	--	--	-10	$\mu\text{A}$	$V_{DS} = -15\text{V}, V_{GS} = 12\text{V}$
$I_{DGO}$	Drain Reverse Current	--	--	-2		$V_{DS} = -15\text{V}, V_{GS} = 7\text{V}$
$r_{DS(on)}$	Drain to Source On Resistance	--	--	75	$\Omega$	$I_D = -1\text{mA}, V_{GS} = 0\text{V}$

#### PN5018 DYNAMIC ELECTRICAL CHARACTERISTICS @ 25°C (unless otherwise noted)

SYMBOL	CHARACTERISTIC	MIN	TYP.	MAX	UNITS	CONDITIONS
$r_{DS(on)}$	Drain to Source On Resistance	--	--	75	$\Omega$	$I_D = 0\text{A}, V_{GS} = 0\text{V}, f = 1\text{kHz}$
$C_{iss}$	Input Capacitance	--	--	45	pF	$V_{DS} = -15\text{V}, V_{GS} = 0\text{V}, f = 1\text{MHz}$
$C_{rss}$	Reverse Transfer Capacitance	--	--	10		$V_{DS} = 0\text{V}, V_{GS} = 12\text{V}, f = 1\text{MHz}$

#### PN5018 SWITCHING CHARACTERISTICS @ 25°C (unless otherwise noted)

SYMBOL	CHARACTERISTIC	UNITS	CONDITIONS
$t_{d(on)}$	Turn On Time	15	$V_{GS(L)} = 12\text{V}$ $V_{GS(H)} = 0\text{V}$ See Switching Circuit
$t_r$	Turn On Rise Time	20	
$t_{d(off)}$	Turn Off Time	15	
$t_f$	Turn Off Fall Time	50	

Note 1 - Absolute maximum ratings are limiting values above which PN5018 serviceability may be impaired.

Note 2 - Pulse test:  $PW \leq 300\mu\text{s}$ , Duty Cycle  $\leq 3\%$

#### PN5018 SWITCHING CIRCUIT PARAMETERS

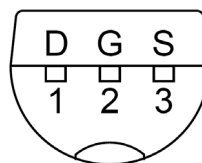
$V_{DD}$	-6V
$V_{GG}$	12V
$R_L$	910 $\Omega$
$R_G$	220 $\Omega$
$I_{D(on)}$	-6mA

Available Packages:

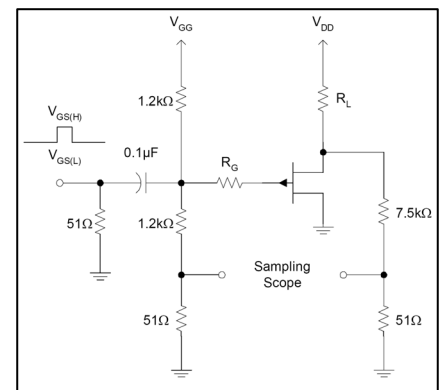
PN5018 in TO-92  
PN5018 in bare die.

Please contact Micross for full package and die dimensions

TO-92 (Bottom View)



#### SWITCHING TEST CIRCUIT



Micross Components Europe



Tel: +44 1603 788967

Email: [chipcomponents@micross.com](mailto:chipcomponents@micross.com)

Web: <http://www.micross.com/distribution>

Information furnished by Linear Integrated Systems and Micross Components is believed to be accurate and reliable. However, no responsibility is assumed for its use; nor for any infringement of patents or other rights of third parties which may result from its use. No license is granted by implication or otherwise under any patent or patent rights of Linear Integrated Systems.