

FEATURES

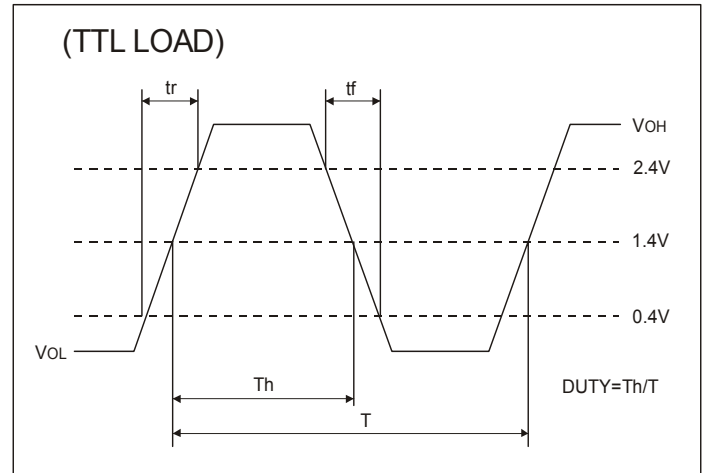
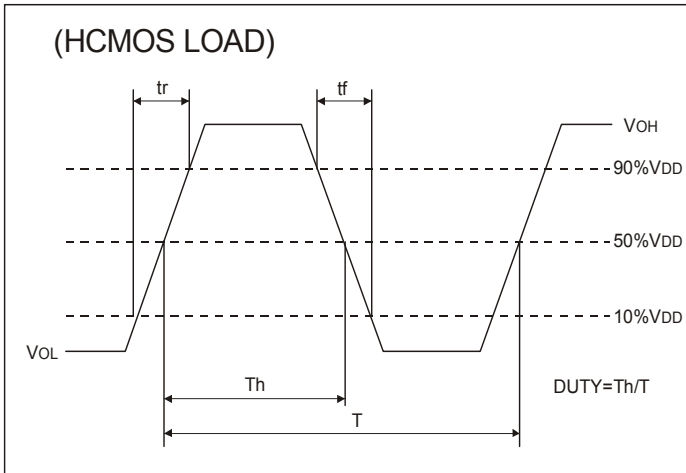
PETERMANN

TECHNIK

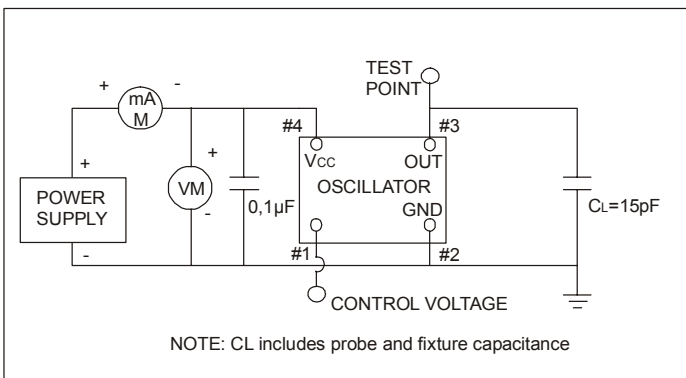
Time & Frequency Components

- HIGH RELIABILITY FOR LOW COST
- FREQUENCY STABILITY OF +/-15 PPM AVAILABLE
- AVAILABLE IN 5.0 AND 3.3 VOLT
- EXCELLENT JITTER PERFORMANCE
- CHEAPEST AVAILABLE SMD-VCXO IN METAL PACKAGE
- EXTENDED TEMPERATURE RANGE TO -40/+85°C AVAILABLE
- APPLICATIONS: FIBER CHANEL, GIGABIT ETHERNET, SET-TOP BOX, BROADBAND, TELECOM, ETC.

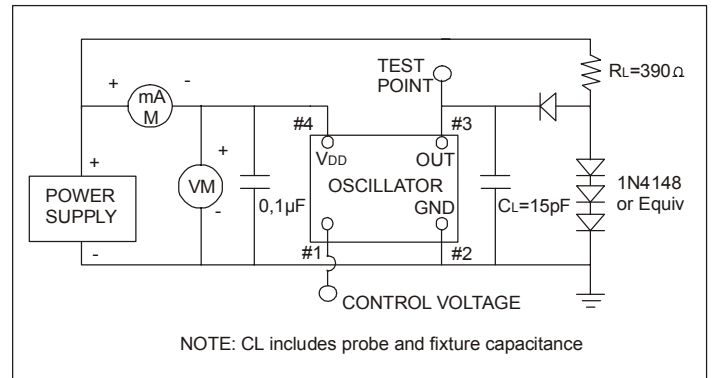
SERIES		M3511	
PACKAGE		SMD-PACKAGE 11.4 x 9.6 x 5.0 mm	
FREQUENCY RANGE	5.0 VOLT	1.0 ~ 54.0 MHz	
	3.3 VOLT	1.0 ~ 54.0 MHz	
FREQUENCY STABILITY	VS. TEMPERATURE	+-15 ~ +-100 ppm max.	
	VS. SUPPLY VOLTAGE	+5 ppm max.	
	VS. LOAD	+-1 ppm max.	
	VS. AGING	+5 ppm max. / first year	
OPERATING TEMPERATURE RANGE		-10/+60°C ~ -40/+85°C	
STORAGE TEMPERATURE RANGE		-55/+125°C	
INPUT	VOLTAGE	+5.0 VDC +-5%	+3.3 VDC +-5%
		30 mA max. < 30.0 MHz	20 mA max. < 30.0 MHz
	CURRENT	40 mA max. < 40.0 MHz	25 mA max. < 40.0 MHz
		45 mA max. < 54.0 MHz	30 mA max. < 54.0 MHz
OUTPUT	SYMMETRY	STANDARD	40/60%
		OPTION	45/55%
	SIGNALS FOR 5.0 VOLT		HCMOS AND TTL
	SIGNAL FOR 3.3 VOLT		HCMOS ONLY
	RISE AND FALL TIME FOR HCMOS		10 ns max. (10% VDD TO 90% VDD)
	RISE AND FALL TIME FOR TTL		10 ns max. (0.4 TO 2.4 VOLT)
	"0" LEVEL	HCMOS 5.0 AND 3.3 VOLT	10% VDD
	"1" LEVEL		90% VDD
	"0" LEVEL	TTL 5.0 VOLT ONLY	0.4 VDC
	"1" LEVEL		2.4 VDC
	LOAD	HCMOS 5.0 AND 3.3 VOLT	15 pF
TTL 5.0 VOLT ONLY		10 TTL	
START-UP TIME		10 mS max.	
INPUT IMPEDANCE		50 kΩ min.	
PERIOD JITTER RMS		8 ps max.	
CONTROL VOLTAGE RANGE STANDARD		0.5 ~ 4.5 VDC	0.3 ~ 3.0 VDC
CONTROL VOLTAGE OPTIONAL		0 ~ 5.0 VDC	0 ~ 3.3 VDC
CENTER VOLTAGE		2.5 VDC	1.65 VDC
PULLABILITY		+-50 ppm min.	
LINEARITY		10% max.	
SLOPE		POSITIVE	
PIN CONNECTION	PIN 1	CONTROL VOLTAGE	
	PIN 2	GROUND	
	PIN 3	OUTPUT	
	PIN 4	SUPPLY VOLTAGE	
OTHER PARAMETERS ARE AVAILABLE ON REQUEST / CREATE HERE YOUR SPECIFICATION			



TEST CIRCUIT FOR HCMOS



TEST CIRCUIT FOR TTL



REFLOW SOLDER PROFILE

