

**Electrical Characterization of the MAAMSS0031
16 dB Gain Application Circuit**

Rev. V2

Abstract

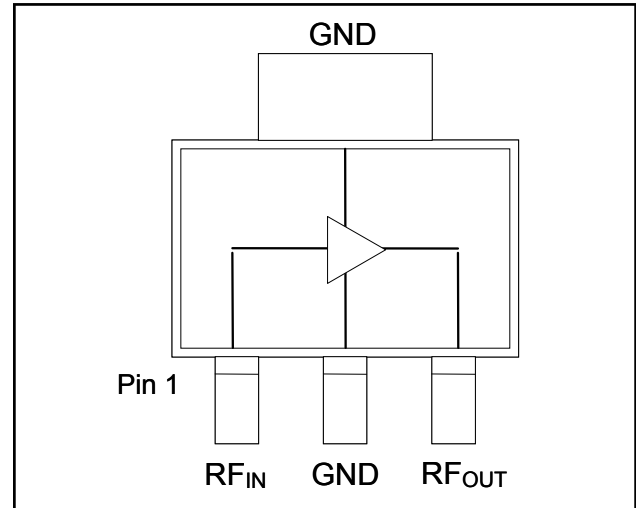
The MAAMSS0031 CATV amplifier is a GaAs MMIC which exhibits low noise and high linearity. It is ideally suited for set top boxes, home gateways, and other broadband internet based appliances.

This amplifier is a monolithic single stage design in a 75 ohm input/output impedance environment. It is designed to have a reduced number of external matching components.

Introduction

The purpose of this application note is to present the typical performance of the MAAMSS0031 amplifier when it is operated at +8 Volts and tuned to provide a small and large signal gain of 16 dB . It is intended as an aid to engineers for the implementation of the MAAMSS0031 in such a gain requirement circuit and provides even lower noise figure than that obtained using the nominal tuning.

Functional Schematic



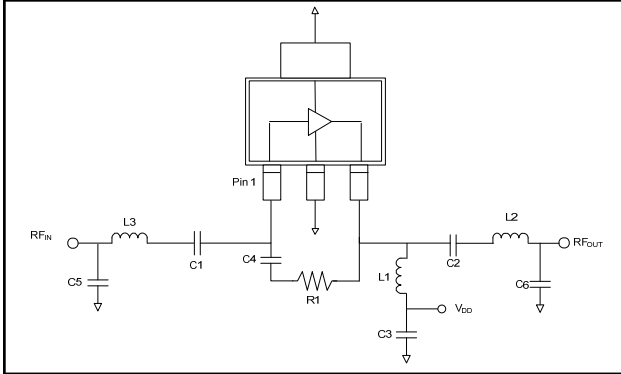
Electrical Specifications: $T_A = 25^\circ\text{C}$, Freq. = 50 - 1000 MHz, $V_{DD} = +8$ Volts, $Z_0 = 75 \Omega$

Parameter	Test Conditions	Units	Min.	Typ.	Max.
Gain	—	dB	—	16	—
Gain Flatness	—	dB	—	0.5	—
Noise Figure	—	dB	—	2.5	—
Input Return Loss	—	dB	—	17	—
Output Return Loss	—	dB	—	18	—
Output IP3	6 MHz Spacing, -10 dBm output per tone	dBm	—	36	—
Composite Triple Beat, CTB	132 channels, +23 dBmV/channel at the output.	dBc	—	-75	—
Composite Second Order, CSO	132 channels, +23 dBmV/channel at the output.	dBc	—	-66	—
P1dB	—	dBm	—	18	—
I_{DD}	+ 8 Volts	mA	—	100	—

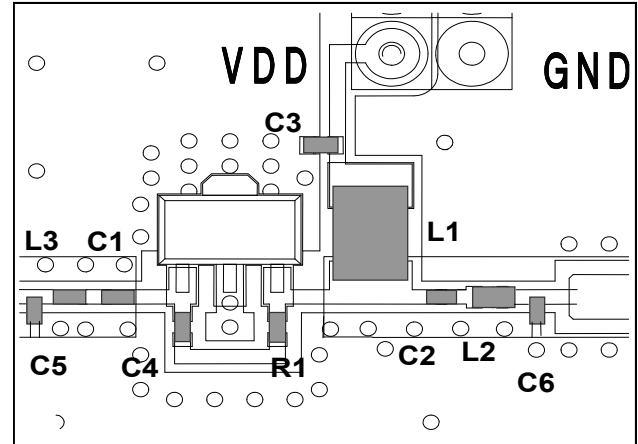
Electrical Characterization of the MAAMSS0031
16 dB Gain Application Circuit

Rev. V2

Schematic Including Off-Chip Components



Recommended Board Layout

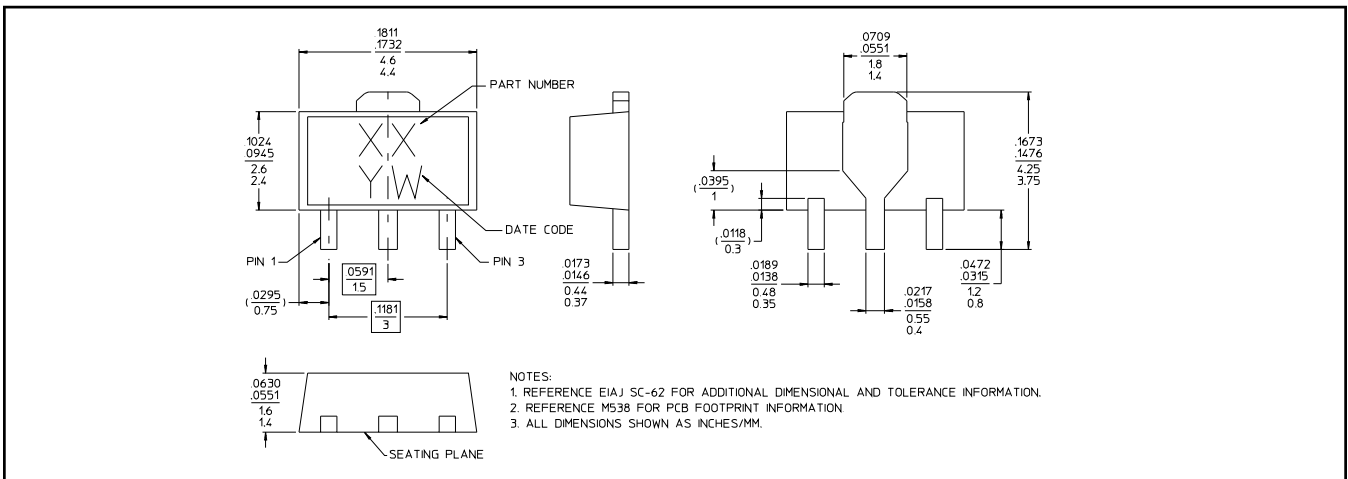


Off-Chip Component Values

Component	Value	Package
C1	0.01 μ F	0402
C2	0.01 μ F	0402
C3	0.01 μ F	0402
C4	0.01 μ F	0402
C5	0.5 pF	0402
C6	0.5 pF	0402
L1 *	1000 nH	1210
L2	8.2 nH	0402
L3	8.2 nH	0402
R1	750 Ω	0402

* L1 supplied from EPCOS, part number B82422A1102K100.

SOT-89 Plastic Package

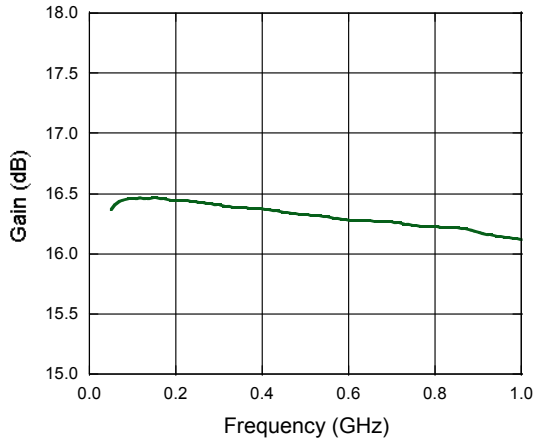


Electrical Characterization of the MAAMSS0031
16 dB Gain Application Circuit

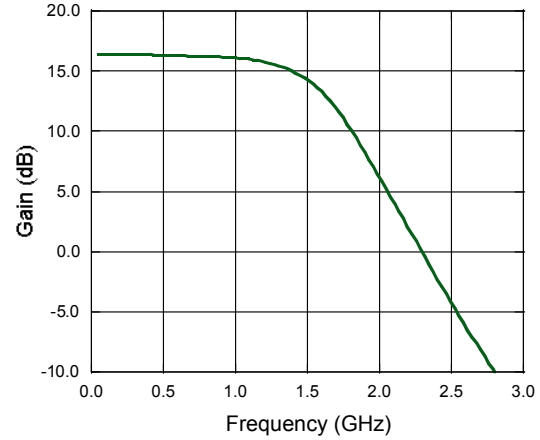
Rev. V2

Typical Performance Curves - $T_A = 25^\circ\text{C}$, Freq: 50 - 1000 MHz, $V_{DD} = +8$ Volts, $Z_0 = 75 \Omega$

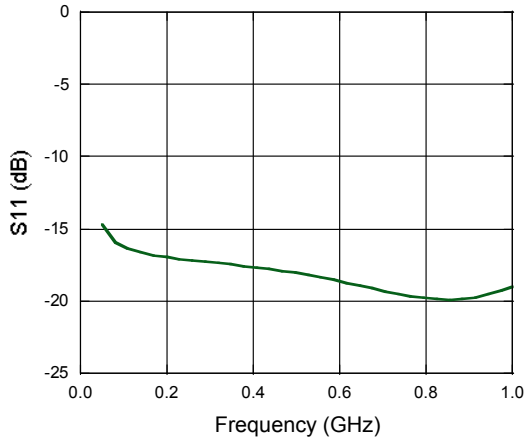
Gain vs. Frequency to 1 GHz



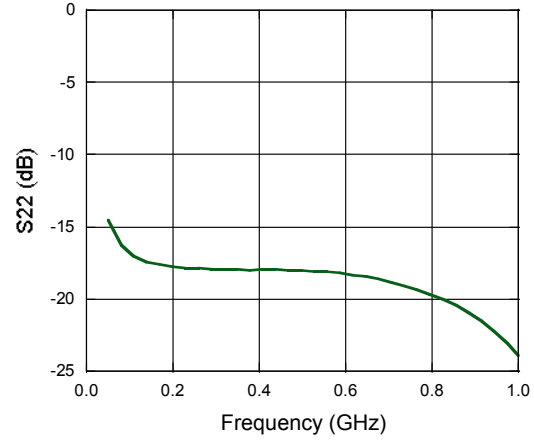
Gain vs. Frequency to 3 GHz



Input Return Loss vs. Frequency



Output Return Loss vs. Frequency



Noise Figure vs. Frequency

