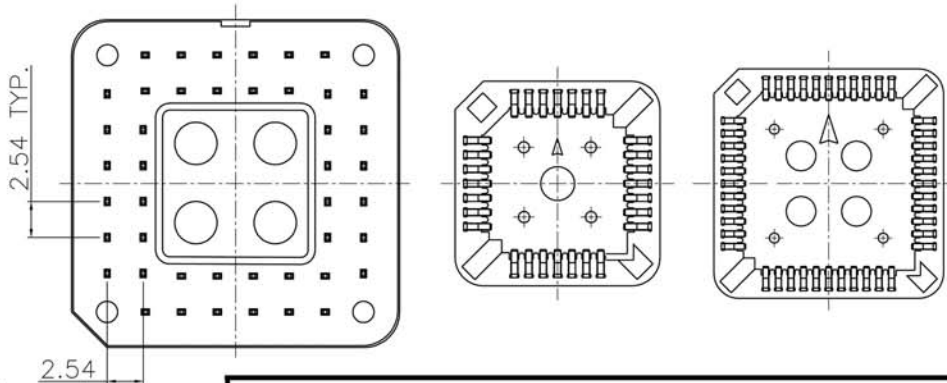
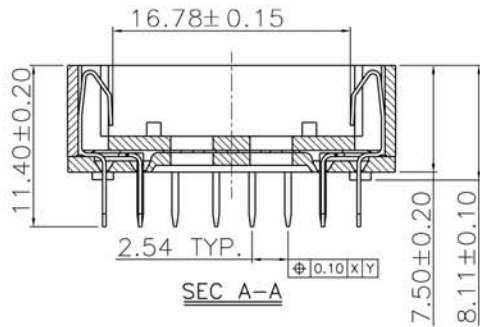


RECOMMENDED P.C. BOARD LAYOUT



⊗ = Assmann Logo

RoHS
Compliant

ITEM NO

ACCS44-G-R

TITLE

PLCC Socket 44 Pin, Gold

Materials:

- Body: PPS + 30%GF UL 94V-0
- Cover: PPS + 30%GF UL 94V-0
- Contacts: Phosphor Bronze
- Terminal Thick: 0.17/0.20/0.25
- Contact Plating: Gold

Electrical:

- Rating Current: 1 Amp
- Rating Voltage: 250V AC/DC Max.
- Dielectric Withstanding: 500V AC at 1 Minute
- Contact Resistance: 30MΩ Max.
- Insulation Resistance: 1,000MΩ Min.
- Operating Temperature: -55°C ~ +105°C
- Retention Force: 0.30Kg per pin (Min.)

ASSMANN
Electronics, Inc.

1840 W. Drake Drive, Suite 101 - Tempe, AZ 85283

Toll Free: 1-877-277-6266 Email: info@usa-assmann.com

THIS DRAWING IS UNPUBLISHED

© Copyright 2009 by Assmann Electronic Components
All International Rights Reserved