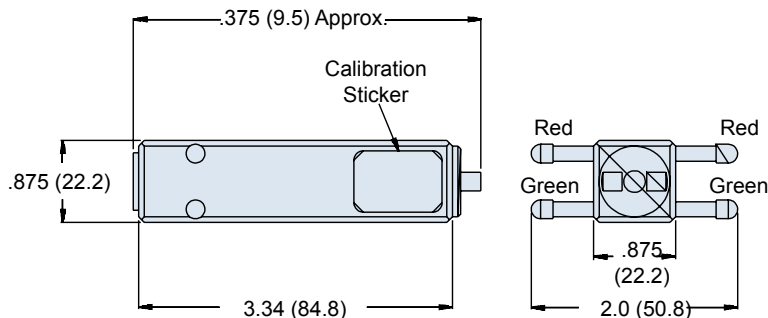


600-055 Calibration Key

The 600-055 Calibration Key is designed for use with the 600-061 and 600-058 Hand Banding Tools. Material is black anodized aluminum alloy. One full turn clockwise will advance the tension range by 25 lbs., and a counter-clockwise turn will decrease tension by the same amount. Recommended for purchase with 600-072-1 and 600-086-1.

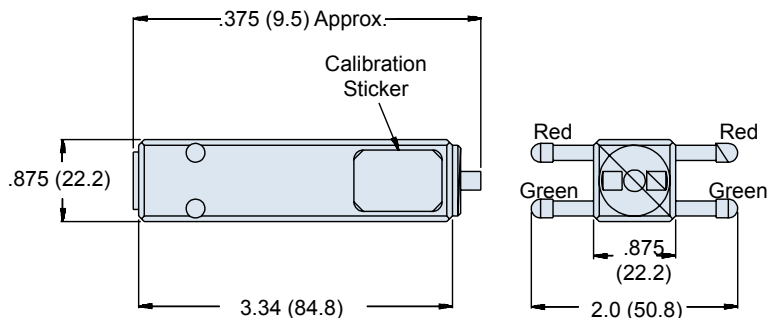
Reference: **BAND-IT®** part number A44699.



600-072-1 Standard Tension Gauge

The 600-072-1 Tension Gauge is used to check and calibrate the *Tie-Dex II®* standard hand tool to values noted on calibration sticker. Constructed of hardened steel, the gauge's accuracy is within ± 2 lbs.

Reference: **BAND-IT®** part number A48599.



600-086-1 Micro Tension Gauge

The 600-086-1 Micro Tension Gauge is used to check and calibrate the *Tie-Dex II®* micro hand tool to values noted on calibration sticker. Constructed of hardened steel, the gauge's accuracy is within ± 2 lbs.

Reference: **BAND-IT®** part number A47599.

Metric Dimensions (mm) are indicated in parentheses.