

PLEASE CHECK WWW.MOLEX.COM FOR LATEST PART INFORMATION

Part Number: [0473621022](#)
Status: **Active**
Overview: serial ata 127 host receptacles
Description: 1.27mm (.050") Pitch Combo SATA Cable Connector, Straight Type, with Arris on bottom surface, with bumps, 0.38µm (15µ") Gold (Au), 22 Circuits, Lead Free

Documents:

[3D Model](#) [Product Specification PS-47362-001 \(PDF\)](#)
[Drawing \(PDF\)](#) [RoHS Certificate of Compliance \(PDF\)](#)

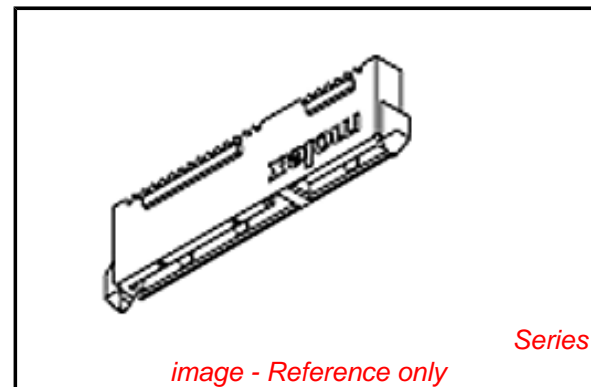
General

| | |
|----------------|---|
| Product Family | I/O Connectors |
| Series | 47362 |
| Application | Wire-to-Board |
| Comments | Straight Type |
| Component Type | Receptacle |
| Overview | serial ata 127 host receptacles |
| Product Name | Serial ATA |
| Type | N/A |

Physical

| | |
|--------------------------------|--------------------|
| Boot Color | N/A |
| Circuits (Loaded) | 22 |
| Circuits (maximum) | 22 |
| Circuits Detail | Signal 7, Power 15 |
| Color - Resin | Black |
| Durability (mating cycles max) | 50 |
| Gender | Receptacle |
| Keying to Mating Part | Yes |
| Lock to Mating Part | Yes |
| Material - Metal | Copper Alloy |
| Material - Plating Mating | Gold |
| Material - Plating Termination | Tin |
| Number of Rows | 1 |
| Orientation | Straight |
| PCB Locator | No |
| PCB Retention | None |
| Packaging Type | Tray |
| Panel Mount | No |
| Pitch - Mating Interface (in) | 0.050 In |
| Pitch - Mating Interface (mm) | 1.27 mm |
| Pitch - Term. Interface (in) | 0.050 In |
| Pitch - Term. Interface (mm) | 1.27 mm |
| Plating min: Mating (µin) | 15 |
| Plating min: Mating (µm) | 0.38 |
| Plating min: Termination (µin) | 50 |
| Plating min: Termination (µm) | 1.27 |
| Polarized to Mating Part | Yes |
| Polarized to PCB | Yes |
| Ports | 2 |
| Temperature Range - Operating | -35°C to +85°C |
| Termination Interface: Style | Solder or Weld |
| Waterproof / Dustproof | No |
| Wire Size AWG | N/A |

Electrical



EU RoHS

**ELV and RoHS
Compliant**
**REACH SVHC
Not Reviewed**
**Halogen-Free
Status
Not Reviewed**

China RoHS



**Need more information on product
environmental compliance?**

Email productcompliance@molex.com
 For a multiple part number RoHS Certificate of Compliance, [click here](#)

Please visit the [Contact Us](#) section for any non-product compliance questions.

Search Parts in this Series
[47362Series](#)

| | |
|-------------------------------|--------|
| Current - Maximum per Contact | 1.5A |
| Voltage - Maximum | 15V DC |

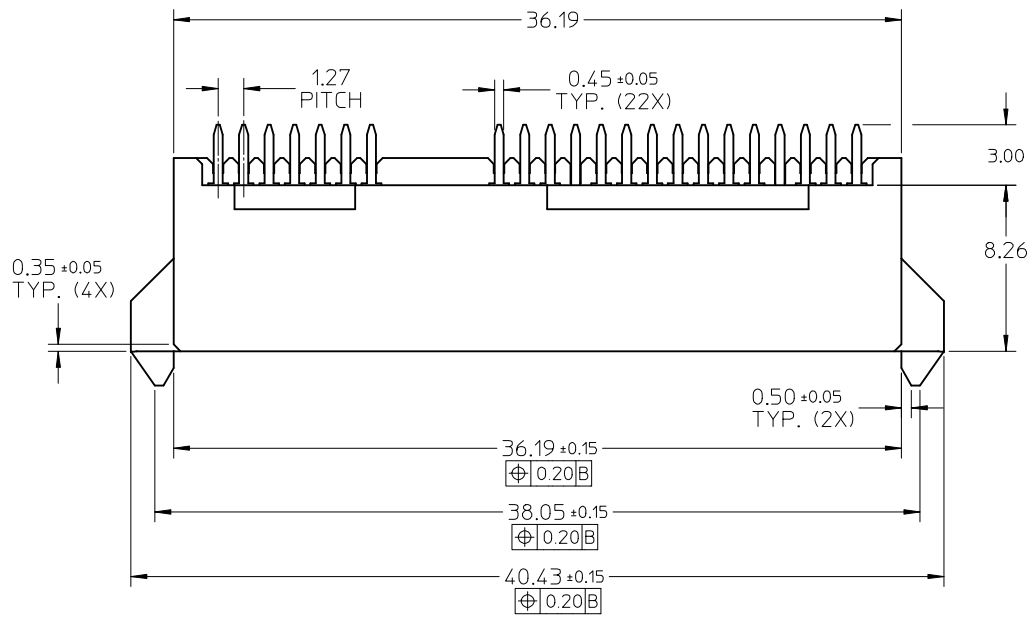
Material Info

Reference - Drawing Numbers

| | |
|-------------------------|--------------|
| Packaging Specification | PK-47362-001 |
| Product Specification | PS-47362-001 |
| Sales Drawing | SD-47362-100 |

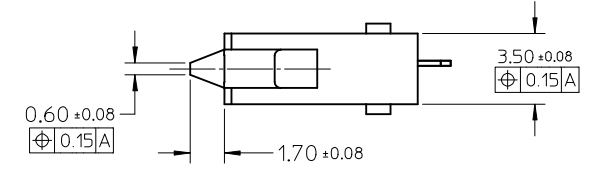
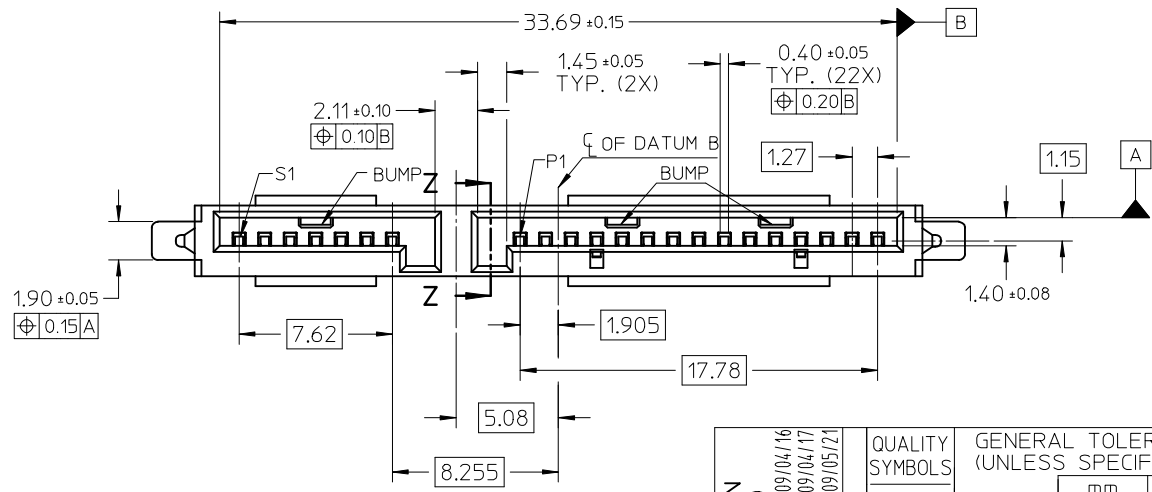
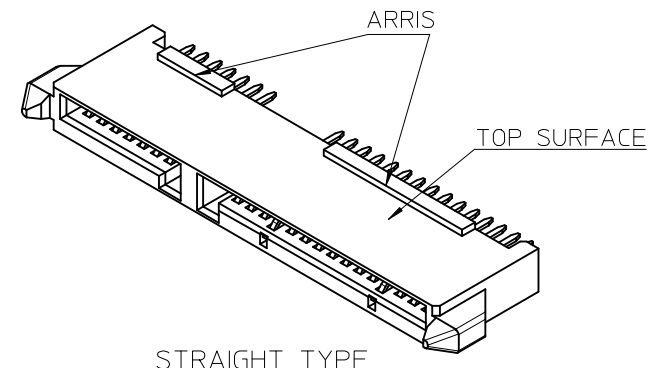
This document was generated on 05/19/2010

PLEASE CHECK WWW.MOLEX.COM FOR LATEST PART INFORMATION



NOTES:

1. MATERIAL:
HOUSING: THERMAL PLASTIC, GLASS FILLED, UL94V-0, COLOR: BLACK.
TERMINAL: COPPER ALLOY, THICKNESS=0.25MM.
2. TERMINAL PLATING:
CONTACT AREA: GOLD PLATED, SEE TABLE.
SOLDER AREA: PURE TIN, THICKNESS=1.27 MICRONS MINIMUM.
UNDER PLATE: NICKLE, THICKNESS=1.27 MICRONS MINIMUM.
3. PRODUCT SPECIFICATION: REFER TO PS-47362-001.
4. PACKAGING METHOD: REFER TO PK-47362-001.
5. PRODUCT COMPLIANT TO RoHS DIRECTIVE 2002/95/EC AND ELV DIRECTIVE 2000/53/EC



| | | |
|--------------------|------------|--------------|
| ADD NEW OPTION | REV | DESCRIPTION |
| EC NO: SH2009-0500 | 2009/04/16 | DRWN: XJSONG |
| 2009/04/17 | 2009/04/17 | CHKD: XJSONG |
| 2009/05/21 | 2009/05/21 | APPR: HWANG |

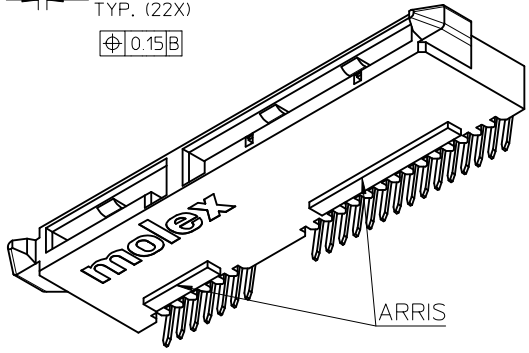
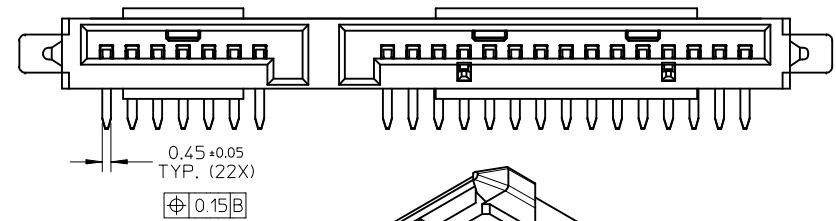
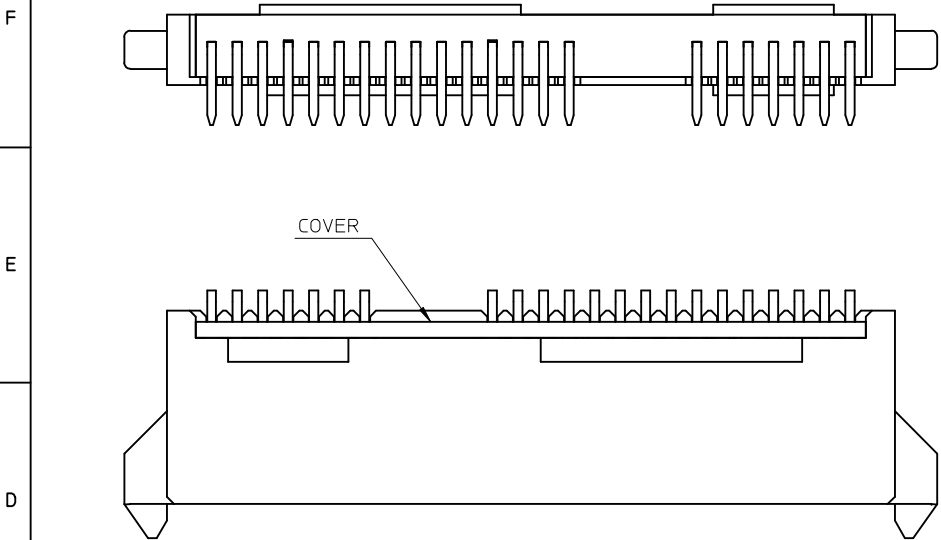
| |
|-----------------|
| QUALITY SYMBOLS |
| ▽=0 |
| ▽=0 |

| | |
|--|-------|
| GENERAL TOLERANCES (UNLESS SPECIFIED) | |
| mm | INCH |
| 4 PLACES ± --- | ± --- |
| 3 PLACES ± --- | ± --- |
| 2 PLACES ± 0.2 | ± --- |
| 1 PLACE ± 0.25 | ± --- |
| ANGULAR ± 3 ° | |
| DRAFT WHERE APPLICABLE MUST REMAIN WITHIN DIMENSIONS | |

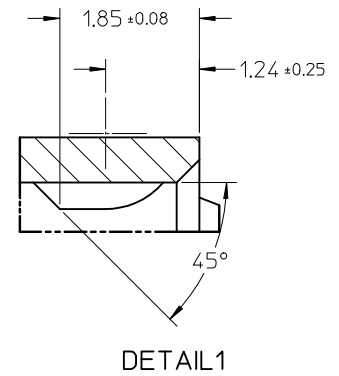
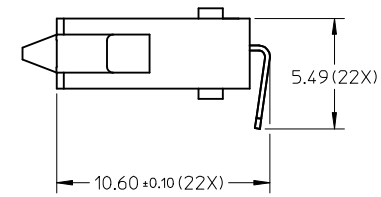
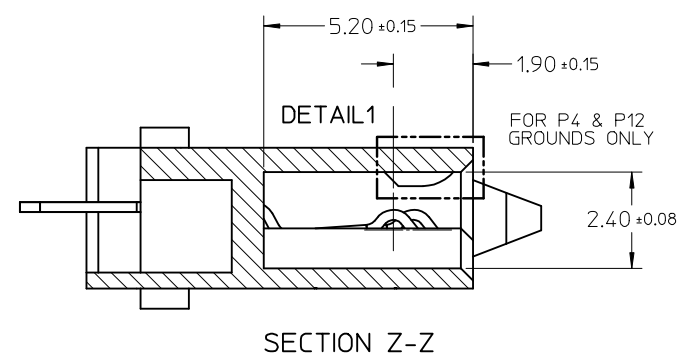
| | |
|-----------------|--------------|
| DIMENSION STYLE | |
| MM ONLY | |
| DRAWN BY | DATE |
| BCHEN26 | 2005/12/05 |
| CHECKED BY | DATE |
| DIXON | 2005/12/05 |
| APPROVED BY | DATE |
| GRATE | 2005/12/05 |
| MATERIAL NO. | DOCUMENT NO. |
| SEE SHEET 4 | SD-47362-100 |

| | | |
|---|--------------|------------------------|
| SCALE | DESIGN UNITS | THIRD ANGLE PROJECTION |
| 4:1 | METRIC | ☉ □ |
| TITLE | | |
| COMBO SATA RECEPTACLE CABLE END | | |
| MOLEX INCORPORATED | | |
| MATERIAL NO. | | SHEET NO. |
| SD-47362-100 | | 1 OF 4 |
| THIS DRAWING CONTAINS INFORMATION THAT IS PROPRIETARY TO MOLEX INCORPORATED AND SHOULD NOT BE USED WITHOUT WRITTEN PERMISSION | | |

10 9 8 7 6 5 4 3 2 1



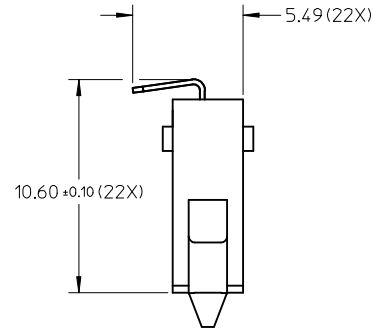
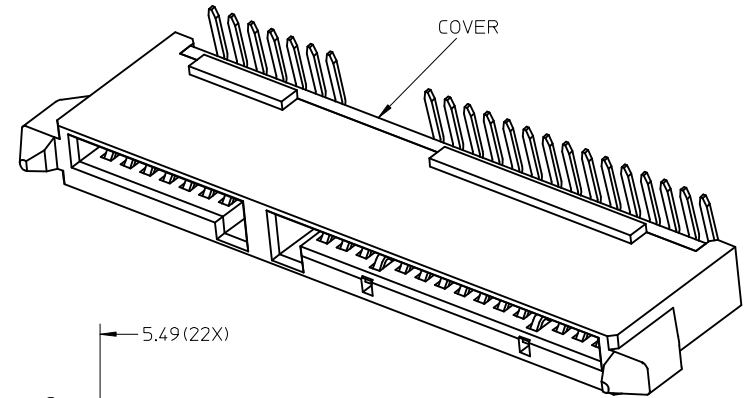
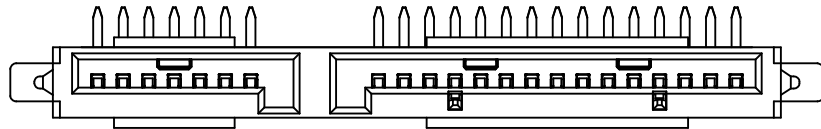
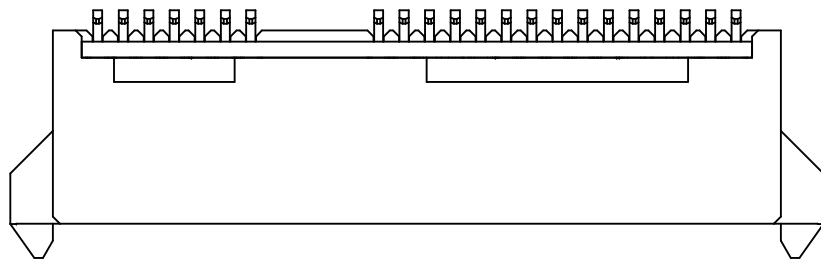
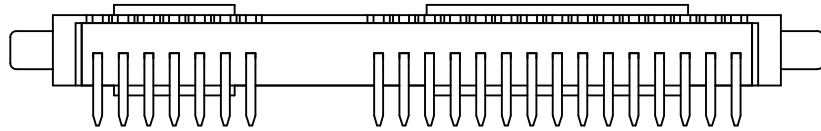
RIGHT ANGLE(90 DEGREE) TYPE
OTHER DIMENSIONS REFER TO STRAIGHT TYPE



| | | | | | | | | | | | | | | |
|--|-------------------------------|---------------------------------------|----------------------|---|----------------------|--------------------|--|------------------------|--------------------|---------------------|--------------------|----------------------|--------------------|--|
| SEE SHEET 1 IEC NO: SH2009-0500 DRWN: XJ SONG 2009/04/16 CHKD: XJ SONG 2009/04/17 APPR: HWANG 2009/05/21 | QUALITY SYMBOLS ▽=0 ◻=0 | GENERAL TOLERANCES (UNLESS SPECIFIED) | | DIMENSION STYLE MM ONLY | | SCALE 4:1 | DESIGN UNITS METRIC | THIRD ANGLE PROJECTION | | | | | | |
| | | 4 PLACES ± --- ± --- | 3 PLACES ± --- ± --- | 2 PLACES ± 0.2 ± --- | 1 PLACE ± 0.25 ± --- | ANGULAR ± 3 ° | DRAFT WHERE APPLICABLE MUST REMAIN WITHIN DIMENSIONS | DRAWN BY BCHEN26 | DATE 2005/12/05 | CHECKED BY DIXON | DATE 2005/12/05 | APPROVED BY GRATE | DATE 2005/12/05 | TITLE COMBO SATA RECEPTACLE CABLE END |
| | | MATERIAL NO. | | SEE SHEET 4 | | MOLEX INCORPORATED | | DOCUMENT NO. | SHEET NO. | | | | | |
| | | SIZE A3 | | THIS DRAWING CONTAINS INFORMATION THAT IS PROPRIETARY TO MOLEX INCORPORATED AND SHOULD NOT BE USED WITHOUT WRITTEN PERMISSION | | | | | | | | | | |

9 8 7 6 5 4 3 2 1

10 9 8 7 6 5 4 3 2 1



RIGHT ANGLE(270 DEGREE) TYPE
OTHER DIMENSIONS REFER TO RIGHT ANGLE(90 DEGREE) TYPE

| | | | | | | | | | |
|--|-----------------------------------|---------------------------------------|--|----------------------------|---|--------------------|--|------------------------|--|
| SEE SHEET 1 EC NO: SH2009-0500 DRWN: XJ SONG 2009/04/16 CHKD: XJ SONG 2009/04/17 APPR: H WANG 2009/05/21 | QUALITY SYMBOLS ▽ = 0 ▽ = 0 | GENERAL TOLERANCES (UNLESS SPECIFIED) | | DIMENSION STYLE MM ONLY | | SCALE 4:1 | DESIGN UNITS METRIC | THIRD ANGLE PROJECTION | |
| | | | mm | INCH | DRAWN BY BCHEN26 | DATE 2005/12/05 | TITLE COMBO SATA RECEPTACLE CABLE END | | |
| | | 4 PLACES | ± --- | ± --- | CHECKED BY DIXON | DATE 2005/12/05 | MOLEX INCORPORATED | | |
| | | 3 PLACES | ± --- | ± --- | APPROVED BY GRATE | DATE 2005/12/05 | | | |
| 2 PLACES | ± 0.2 | ± --- | ANGULAR ± 3 ° | | MATERIAL NO. | DOCUMENT NO. | SHEET NO. | | |
| 1 PLACE | ± 0.25 | ± --- | DRAFT WHERE APPLICABLE MUST REMAIN WITHIN DIMENSIONS | | SEE SHEET 4 | SD-47362-100 | 3 OF 4 | | |
| | | | | SIZE A3 | THIS DRAWING CONTAINS INFORMATION THAT IS PROPRIETARY TO MOLEX INCORPORATED AND SHOULD NOT BE USED WITHOUT WRITTEN PERMISSION | | | | |

9 8 7 6 5 4 3 2 1

| 10 | 9 | 8 | 7 | 6 | 5 | 4 | 3 | 2 | 1 |
|------------|-------------------------------|---|---------------------------------|-------------------------------|-------------------------------|------------------------------|----------------------------------|---|---|
| P/N | PLATE TYPE | REMARK | STRAIGHT OR R/A | P/N | PLATE TYPE | REMARK | STRAIGHT OR R/A | | |
| 47362-1000 | GOLD FLASH | | | 47362-3000 | GOLD FLASH | | | | |
| 47362-1001 | GOLD PLATED 0.76 MICRONS MIN. | WITH ARRIS ON BOTH SURFACE | STRAIGHT TYPE | 47362-3001 | GOLD PLATED 0.76 MICRONS MIN. | WITH ARRIS ON BOTH SURFACE | RIGHT ANGLE TYPE (270 DEGREE) | | |
| 47362-1002 | GOLD PLATED 0.38 MICRONS MIN. | WITH BUMPS | | 47362-3002 | GOLD PLATED 0.38 MICRONS MIN. | WITH BUMPS,WITH COVER | | | |
| 47362-1010 | GOLD FLASH | | | 47362-3010 | GOLD FLASH | | | | |
| 47362-1011 | GOLD PLATED 0.76 MICRONS MIN. | WITH ARRIS ON TOP SURFACE | | 47362-3011 | GOLD PLATED 0.76 MICRONS MIN. | WITH ARRIS ON TOP SURFACE | | | |
| 47362-1012 | GOLD PLATED 0.38 MICRONS MIN. | WITH BUMPS | | 47362-3012 | GOLD PLATED 0.38 MICRONS MIN. | WITH BUMPS,WITH COVER | | | |
| 47362-1020 | GOLD FLASH | | | 47362-3020 | GOLD FLASH | | | | |
| 47362-1021 | GOLD PLATED 0.76 MICRONS MIN. | WITH ARRIS ON BOTTOM SURFACE | | 47362-3021 | GOLD PLATED 0.76 MICRONS MIN. | WITH ARRIS ON BOTTOM SURFACE | | | |
| 47362-1022 | GOLD PLATED 0.38 MICRONS MIN. | WITH BUMPS | | 47362-3022 | GOLD PLATED 0.38 MICRONS MIN. | WITH BUMPS,WITH COVER | | | |
| 47362-1030 | GOLD FLASH | | | 47362-3030 | GOLD FLASH | | | | |
| 47362-1031 | GOLD PLATED 0.76 MICRONS MIN. | WITHOUT ARRIS | | 47362-3031 | GOLD PLATED 0.76 MICRONS MIN. | WITHOUT ARRIS | | | |
| 47362-1032 | GOLD PLATED 0.38 MICRONS MIN. | WITH BUMPS | 47362-3032 | GOLD PLATED 0.38 MICRONS MIN. | WITH BUMPS,WITH COVER | | | | |
| 47362-2000 | GOLD FLASH | | RIGHT ANGLE TYPE (90 DEGREE) | | | | | | |
| 47362-2001 | GOLD PLATED 0.76 MICRONS MIN. | WITH ARRIS ON BOTH SURFACE | | | | | | | |
| 47362-2002 | GOLD PLATED 0.38 MICRONS MIN. | WITH BUMPS,WITH COVER | | | | | | | |
| 47362-2010 | GOLD FLASH | | | | | | | | |
| 47362-2011 | GOLD PLATED 0.76 MICRONS MIN. | WITH ARRIS ON TOP SURFACE | | | | | | | |
| 47362-2012 | GOLD PLATED 0.38 MICRONS MIN. | WITH BUMPS,WITH COVER | | | | | | | |
| 47362-2020 | GOLD FLASH | | | | | | | | |
| 47362-2021 | GOLD PLATED 0.76 MICRONS MIN. | WITH ARRIS ON BOTTOM SURFACE | | | | | | | |
| 47362-2022 | GOLD PLATED 0.38 MICRONS MIN. | WITH BUMPS,WITH COVER | | | | | | | |
| 47362-2030 | GOLD FLASH | | | | | | | | |
| 47362-2031 | GOLD PLATED 0.76 MICRONS MIN. | WITHOUT ARRIS | | | | | | | |
| 47362-2032 | GOLD PLATED 0.38 MICRONS MIN. | WITH BUMPS,WITH COVER | | | | | | | |
| 47362-1003 | GOLD PLATED 0.38 MICRONS MIN. | WITH ARRIS ON BOTH SURFACE WITHOUT BUMPS | STRAIGHT TYPE | | | | | | |
| 47362-1082 | GOLD PLATED 0.38 MICRONS MIN. | WITH ARRIS ON BOTH SURFACE WITH BUMPS | STRAIGHT TYPE | | | | | | |

| | | | | | | | | | |
|--|--|--|--|--|--|--|--|--|--|
| | | | | | | | | | |
|--|--|--|--|--|--|--|--|--|--|

| | | | | | | | | | | | | | | | | | | | | | | | | | | | | | | | | | | | | | |
|---|--|--------------------|-------------------------------|---|-------|--|------|----------|-------|-------|----------|-------|-------|----------|-------|-------|---------|--------|-------|---------------|--|--|-----------------------------------|---------------------|-------------------------------|------------------------|---------------------|--------------------|--|---------------------|--------------------|--------------|----------------------|--------------------|--------------|--------------|---------------------|
| SEE SHEET1 EC NO: SH2009-0500 DRWN: X JSONG CHKD: X JSONG APPR: HWANG | 2009/04/16 2009/04/17 2009/05/21 | DESCRIPTION REV | QUALITY SYMBOLS ▽=0 ▽=0 | GENERAL TOLERANCES (UNLESS SPECIFIED) <table border="1"> <tr> <td></td> <td>mm</td> <td>INCH</td> </tr> <tr> <td>4 PLACES</td> <td>± ---</td> <td>± ---</td> </tr> <tr> <td>3 PLACES</td> <td>± ---</td> <td>± ---</td> </tr> <tr> <td>2 PLACES</td> <td>± 0.2</td> <td>± ---</td> </tr> <tr> <td>1 PLACE</td> <td>± 0.25</td> <td>± ---</td> </tr> <tr> <td colspan="3">ANGULAR ± 3 °</td> </tr> </table> | | mm | INCH | 4 PLACES | ± --- | ± --- | 3 PLACES | ± --- | ± --- | 2 PLACES | ± 0.2 | ± --- | 1 PLACE | ± 0.25 | ± --- | ANGULAR ± 3 ° | | | DIMENSION STYLE MM ONLY | SCALE 4:1 | DESIGN UNITS METRIC | THIRD ANGLE PROJECTION | DRAWN BY BCHEN26 | DATE 2005/12/05 | COMBO SATA RECEPTACLE CABLE END MOLEX INCORPORATED | CHECKED BY DIXON | DATE 2005/12/05 | SD-47362-100 | APPROVED BY GRATE | DATE 2005/12/05 | MATERIAL NO. | DOCUMENT NO. | SHEET NO. 4 OF 4 |
| | | | | mm | INCH | | | | | | | | | | | | | | | | | | | | | | | | | | | | | | | | |
| | | | 4 PLACES | ± --- | ± --- | | | | | | | | | | | | | | | | | | | | | | | | | | | | | | | | |
| | | | 3 PLACES | ± --- | ± --- | | | | | | | | | | | | | | | | | | | | | | | | | | | | | | | | |
| 2 PLACES | ± 0.2 | ± --- | | | | | | | | | | | | | | | | | | | | | | | | | | | | | | | | | | | |
| 1 PLACE | ± 0.25 | ± --- | | | | | | | | | | | | | | | | | | | | | | | | | | | | | | | | | | | |
| ANGULAR ± 3 ° | | | | | | | | | | | | | | | | | | | | | | | | | | | | | | | | | | | | | |
| DRAFT WHERE APPLICABLE MUST REMAIN WITHIN DIMENSIONS | | | | SEE TABLE | | THIS DRAWING CONTAINS INFORMATION THAT IS PROPRIETARY TO MOLEX INCORPORATED AND SHOULD NOT BE USED WITHOUT WRITTEN PERMISSION | | | | | | | | | | | | | | | | | | | | | | | | | | | | | | | |