

PLEASE CHECK WWW.MOLEX.COM FOR LATEST PART INFORMATION

Part Number: [0393800103](#)
Status: **Active**
Description: 6.35mm (.250") Pitch Beau™ Eurostyle™ Fixed Mount PCB Terminal Block, Modular, 3 Circuits

Documents:

[3D Model](#)
[Drawing \(PDF\)](#)

[RoHS Certificate of Compliance \(PDF\)](#)

General

Product Family	Terminal Blocks
Series	39380
Application	Wire-to-Board
Component Type	One Piece
Product Literature Order No	USA-262
Product Name	Eurostyle™ Fixed Mount
Type	Euro Block

Physical

Circuits (Loaded)	3
Color - Resin	Black
Entry Angle	Horizontal
Lock to Mating Part	None
Material - Resin	Nylon
Number of Rows	1
Orientation	Vertical
PC Tail Length (in)	0.500 In
PC Tail Length (mm)	12.70 mm
PCB Retention	None
PCB Thickness Recommended (in)	0.157 In
PCB Thickness Recommended (mm)	4.00 mm
Panel Mount	No
Pitch - Mating Interface (in)	0.250 In
Pitch - Mating Interface (mm)	6.35 mm
Polarized to Mating Part	N/A
Shrouded	Fully
Stackable	Yes
Surface Mount Compatible (SMC)	No
Temperature Range - Operating	110°C
Wire Size AWG	10, 12, 14, 16, 18, 20, 22, 24, 26, 28, 30
Wire Size mm²	0.05 - 2.50

Electrical

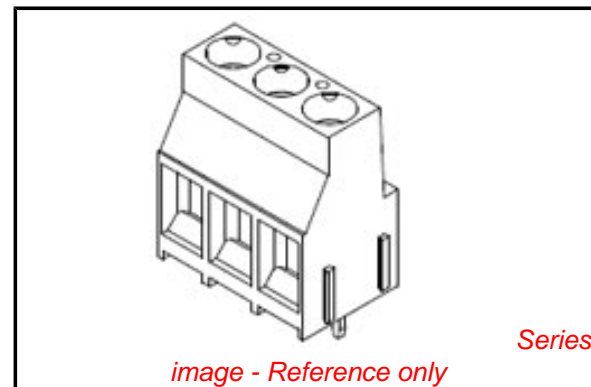
Current - Maximum per Contact	30A
Voltage - Maximum	300V

Material Info

Old Part Number	380503
-----------------	--------

Reference - Drawing Numbers

Sales Drawing	SD-39380-001
---------------	--------------



EU RoHS

ELV and RoHS Compliant
REACH SVHC
 Not Reviewed
Halogen-Free Status

China RoHS



Not Reviewed

Need more information on product environmental compliance?

Email productcompliance@molex.com
 For a multiple part number RoHS Certificate of Compliance, [click here](#)

Please visit the [Contact Us](#) section for any non-product compliance questions.

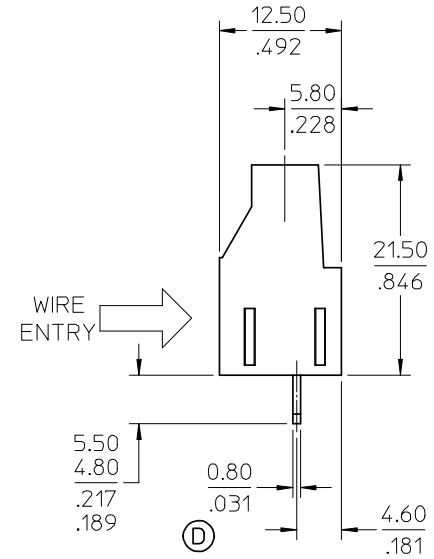
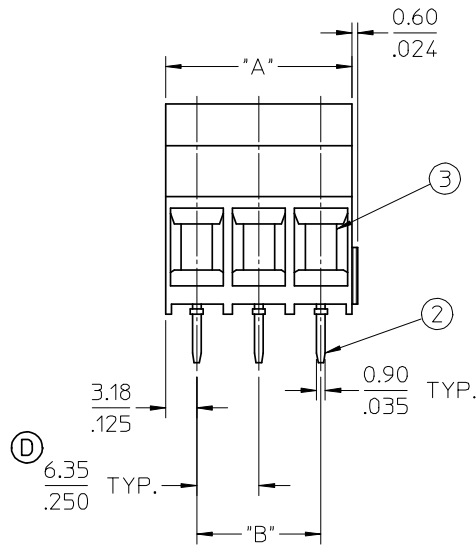
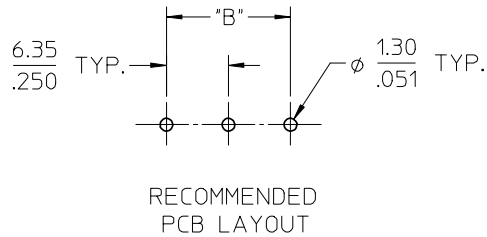
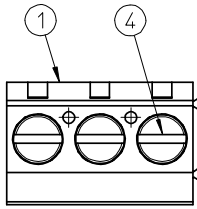
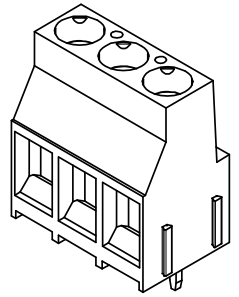
Search Parts in this Series

[39380Series](#)

Mates With

N/A

NUMBER OF CIRCUITS "XX"	DIM. "A"	DIM. "B"	MATERIAL NO.
02	12.70/500	6.35/.250	393800102
03	19.05/750	12.70/500	393800103
04	25.40/1000	19.05/750	393800104
05	31.75/1250	25.40/1000	393800105
06	38.10/1500	31.75/1250	393800106
07	44.45/1750	38.10/1500	393800107
08	50.80/2000	44.45/1750	393800108
09	57.15/2250	50.80/2000	393800109
10	63.50/2500	57.15/2250	393800110
11	69.85/2750	63.50/2500	393800111
12	76.20/3000	69.85/2750	393800112
13	82.55/3250	76.20/3000	393800113
14	88.90/3500	82.55/3250	393800114
15	95.25/3750	88.90/3500	393800115
16	101.60/4000	95.25/3750	393800116
17	107.95/4250	101.60/4000	393800117
18	114.30/4500	107.95/4250	393800118
19	120.65/4750	114.30/4500	393800119
20	127.00/5000	120.65/4750	393800120
21	133.35/5250	127.00/5000	393800121
22	139.70/5500	133.35/5250	393800122
23	146.05/5750	139.70/5500	393800123
24	152.40/6000	146.05/5750	393800124



NOTES:

1. MATERIAL: SEE TABLE
2. FINISHES: SEE TABLE
3. "XX" REFERS TO QTY. OF CIRCUITS.
4. 3 CIRCUIT SHOWN.
- (D) 5. 2 & 3 CIRCUIT PARTS ARE ASSEMBLED TOGETHER TO MAKE CIRCUIT SIZES GREATER THAN 3.
- (D) 6. ASSEMBLY IS ROHS COMPLIANT.

ITEM	QTY.	DESCRIPTION	MATERIAL	FINISH
4	XX	SCREW, M3.5	COPPER ALLOY	NICKEL
3	XX	CAGE CLAMP	COPPER ALLOY	NICKEL
2	XX	TERMINAL	COPPER ALLOY	TIN
1	1	INSULATOR	PA 66, UL 94V-0	BLACK

ADD MAT #S/ROHS NOTE EC NO: ETC2008-0034 DRW: NCLYORK 2007/08/22 CHKD: JMACNEIL 2007/09/12 APPR: JMACNEIL 2007/09/13	QUALITY SYMBOLS ▽=0 ▽=0	GENERAL TOLERANCES (UNLESS SPECIFIED)		DIMENSION STYLE MM/IN		SCALE 2:1	DESIGN UNITS INCH	THIRD ANGLE PROJECTION	
		4 PLACES ± --- ± --- 3 PLACES ± --- ± .005 2 PLACES ± 0.13 ± .01 1 PLACE ± 0.3 ± ---		DRAWN BY DATE C. YORK 2007/08/16		TITLE 6.35/.250 SR FIXED EURO TERMINAL BLOCK ASSY			
		ANGULAR ± 2 °		CHECKED BY DATE J. MACNEIL 2007/08/16		MOLEX INCORPORATED			
		DRAFT WHERE APPLICABLE MUST REMAIN WITHIN DIMENSIONS		APPROVED BY DATE J. MACNEIL 2007/08/16		MATERIAL NO. SEE CHART		DOCUMENT NO. SD-39380-001	
THIS DRAWING CONTAINS INFORMATION THAT IS PROPRIETARY TO MOLEX INCORPORATED AND SHOULD NOT BE USED WITHOUT WRITTEN PERMISSION									