

New Jersey Semi-Conductor Products, Inc.

20 STERN AVE.
 SPRINGFIELD, NEW JERSEY 07081
 U.S.A.

TELEPHONE: (973) 376-2922
 (212) 227-6005
 FAX: (973) 376-8960

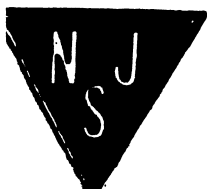
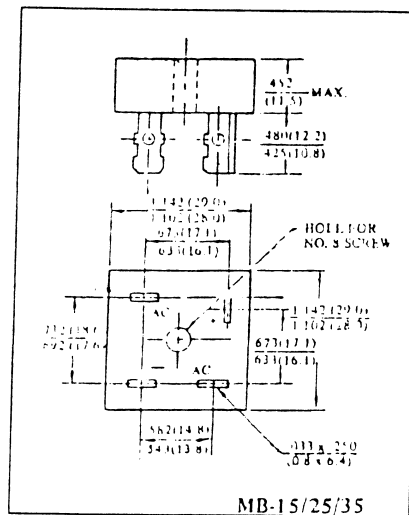
Part Number:	35MB40A
Description:	Bridge Rectifiers, Single- θ , Full-Wave
Manufacturer.....	INR
Mil/High-Rel? (Y/N).....	
I(out) (If AVG) Max.....	35
@Temp. (test) ($^{\circ}$ C).....	55#
VRRM.....	400
1-Cycle Surge Current (A).....	420
Vf Max.....	1.2
@If (test).....	35
@Temp. (test) for Vf).....	25.]
Ir @25 $^{\circ}$ C.....	
@Volts (test) (V).....	
Ir @ Diff. Temp (A).....	
@Temp (test) ($^{\circ}$ C).....	
Oper. Temp ($^{\circ}$ C) Max.....	150.]
Pkg Style.....	BR-3q
Surface Mounted (Y/N).....	N

F1Help

Note

Escape

u Junction Temperature # Case Temperature 2 It(rms)



NJ Semi-Conductors reserves the right to change test conditions, parameter limits and package dimensions without notice. Information furnished by NJ Semi-Conductors is believed to be both accurate and reliable at the time of going to press. However, NJ Semi-Conductors assumes no responsibility for any errors or omissions discovered in its use. NJ Semi-Conductors encourages customers to verify that datasheets are current before placing orders.