



2N7002DW

Power MOSFET

300mA, 60V DUAL N-CHANNEL POWER MOSFET

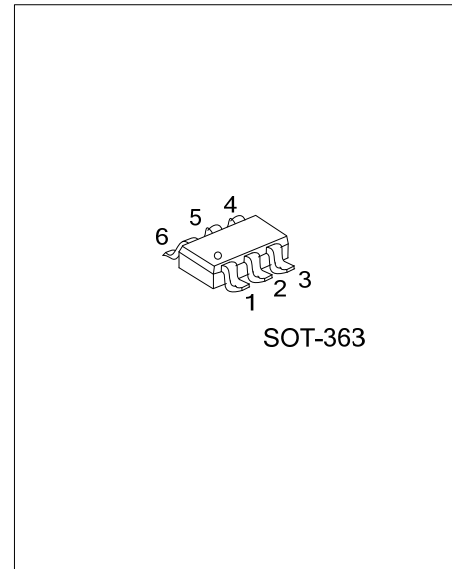
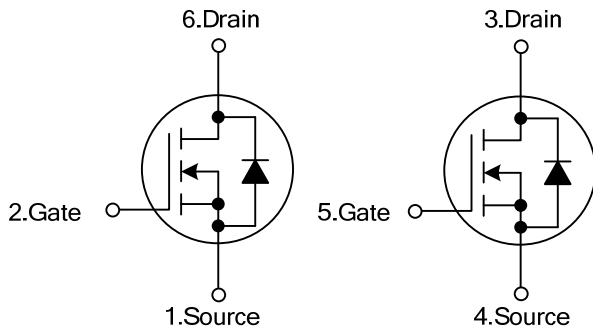
■ DESCRIPTION

The UTC **2N7002DW** uses advanced technology to provide excellent $R_{DS(ON)}$, low gate charge and operation with low gate voltages. This device is suitable for use as a load switch or in PWM applications.

■ FEATURES

- * High Density Cell Design for Low $R_{DS(ON)}$.
- * Voltage Controlled Small Signal Switch
- * Rugged and Reliable
- * High Saturation Current Capability

■ SYMBOL

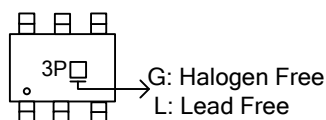


■ ORDERING INFORMATION

Ordering Number		Package	Pin Assignment						Packing
Lead Free	Halogen Free		1	2	3	4	5	6	
2N7002DWL-AL6-R	2N7002DWG-AL6-R	SOT-363	S1	G1	D2	S2	G2	D1	Tape Reel

<p>2N7002DWG-AL6-R</p> <p>(1)Packing Type (2)Package Type (3)Halogen Free</p>	<p>(1) R: Tape Reel (2) AL6: SOT-363 (3) G: Halogen Free, L: Lead Free</p>
---	--

■ MARKING



■ ABSOLUTE MAXIMUM RATINGS ($T_A=25^\circ\text{C}$, unless otherwise noted.)

PARAMETER	SYMBOL	RATINGS	UNIT
Drain-Source Voltage	V_{DSS}	60	V
Drain-Gate Voltage ($R_{GS} \leq 1\text{M}\Omega$)	V_{DGR}	60	V
Gate Source Voltage	V_{GSS}	Continuous	± 20
		Non Repetitive ($t_P < 50\mu\text{s}$)	± 40
Drain Current	I_D	Continuous	300
		Pulsed	800
Power Dissipation	P_D	200	mW
Derated Above 25°C		1.6	mW/ $^\circ\text{C}$
Junction Temperature	T_J	+ 150	$^\circ\text{C}$
Storage Temperature	T_{STG}	-55 ~ +150	$^\circ\text{C}$

Note: Absolute maximum ratings are those values beyond which the device could be permanently damaged.

Absolute maximum ratings are stress ratings only and functional device operation is not implied.

■ THERMAL DATA

PARAMETER	SYMBOL	RATINGS	UNIT
Junction to Ambient	θ_{JA}	625 (Note1)	$^\circ\text{C/W}$

■ ELECTRICAL CHARACTERISTICS ($T_A=25^\circ\text{C}$, unless otherwise specified)

PARAMETER	SYMBOL	TEST CONDITIONS	MIN	TYP	MAX	UNIT
OFF CHARACTERISTICS						
Drain-Source Breakdown Voltage	BV_{DSS}	$V_{GS}=0\text{V}, I_D=10\mu\text{A}$	60			V
Drain-Source Leakage Current	I_{DSS}	$V_{DS}=60\text{V}, V_{GS}=0\text{V}$			1	μA
Gate-Source Leakage Current	I_{GSSF}	$V_{GS}=20\text{V}, V_{DS}=0\text{V}$			100	nA
		$V_{GS}=-20\text{V}, V_{DS}=0\text{V}$			-100	nA
ON CHARACTERISTICS (Note 2)						
Gate Threshold Voltage	$V_{GS(TH)}$	$V_{GS} = V_{DS}, I_D=250\mu\text{A}$	1	2.1	2.5	V
Drain-Source On-Voltage	$V_{DS(ON)}$	$V_{GS} = 10\text{V}, I_D=300\text{mA}$		0.6	3.75	V
		$V_{GS} = 5.0\text{V}, I_D=50\text{mA}$		0.09	1.5	
Static Drain-Source On-Resistance	$R_{DS(ON)}$	$V_{GS}=10\text{V}, I_D=300\text{mA}, T_J=125^\circ\text{C}$			13.5	Ω
		$V_{GS}=5.0\text{V}, I_D=50\text{mA}$			7.5	Ω
DYNAMIC CHARACTERISTICS						
Input Capacitance	C_{ISS}	$V_{DS}=25\text{V}, V_{GS}=0\text{V}, f=1.0\text{MHz}$		20	50	pF
Output Capacitance	C_{OSS}			11	25	pF
Reverse Transfer Capacitance	C_{RSS}			4	5	pF
Turn-On Time	t_{ON}	$V_{DD}=30\text{V}, R_L=150\Omega$ $I_D=200\text{mA}, V_{GS}=10\text{V}$ $R_{GEN}=25\Omega$			20	nS
Turn-Off Time	t_{OFF}	$V_{DD}=30\text{V}, R_L=25\Omega$ $I_D=200\text{mA}, V_{GS}=10\text{V}$ $R_{GEN}=25\Omega$			20	nS
DRAIN-SOURCE DIODE CHARACTERISTICS AND MAXIMUM RATINGS						
Drain-Source Diode Forward Voltage	V_{SD}	$V_{GS}=0\text{V}, I_S=300\text{mA}$ (Note)		0.88	1.5	V
Maximum Pulsed Drain-Source Diode Forward Current	I_{SM}				0.8	A
Maximum Continuous Drain-Source Diode Forward Current	I_S				300	mA

Note: 1. Device mounted on FR-4 PCB, 1 inch x 0.85 inch x 0.062 inch. Minimum land pad size.

2. Pulse Test: Pulse Width $\leq 300\mu\text{s}$, Duty Cycle $\leq 2.0\%$

■ TEST CIRCUIT AND WAVEFORM

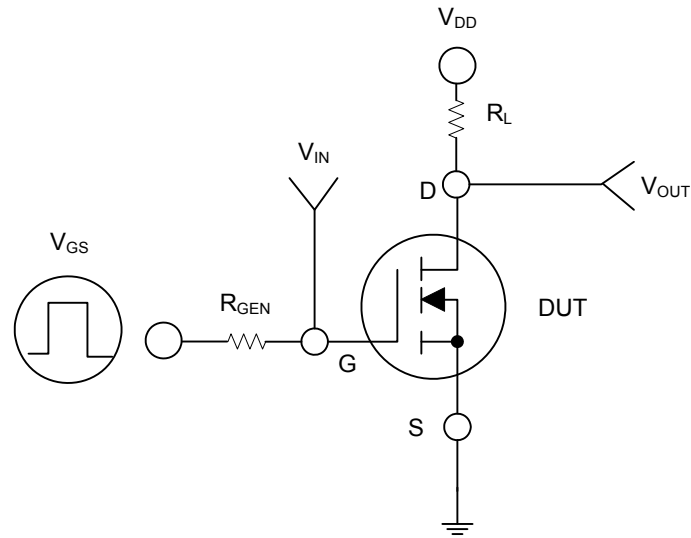


Fig. 1

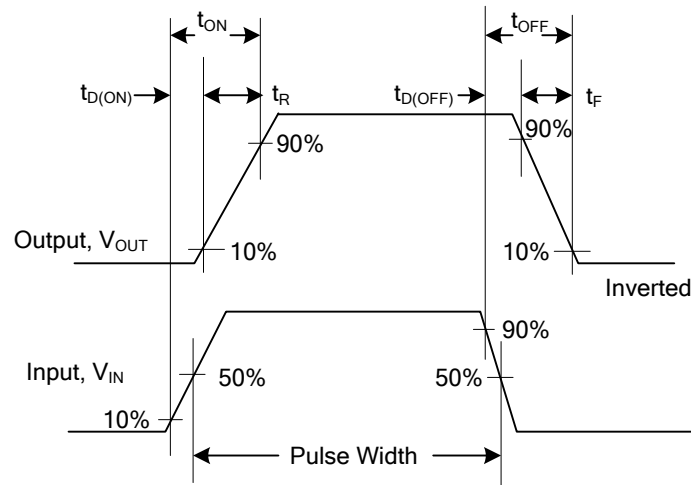
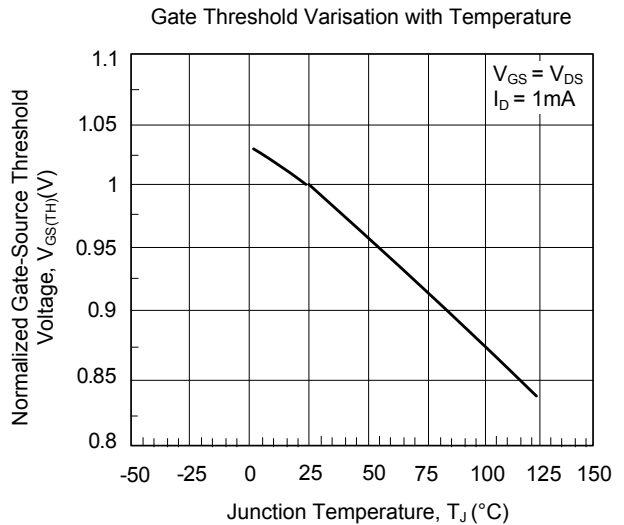
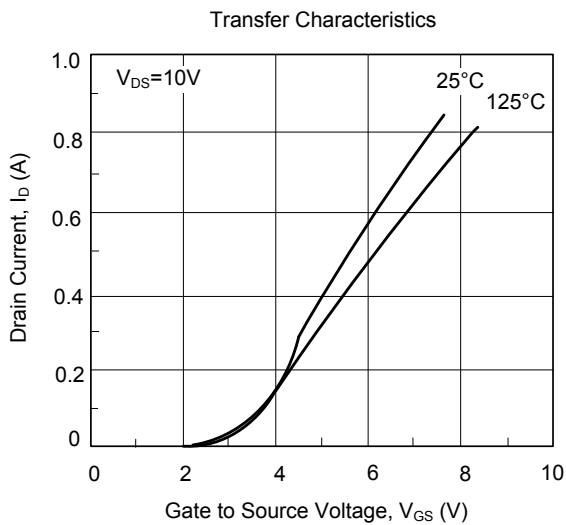
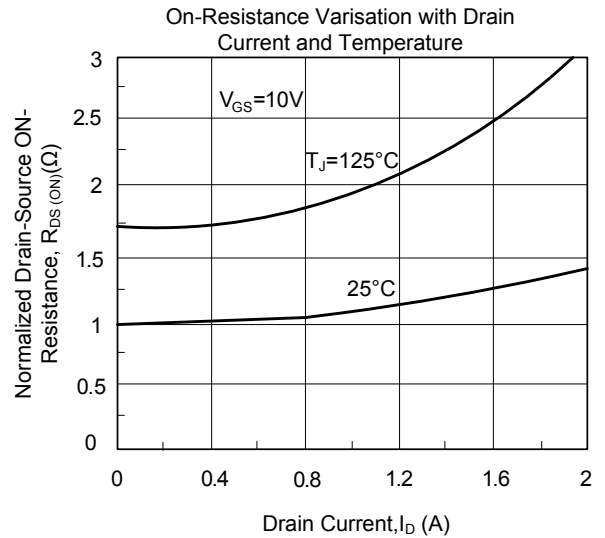
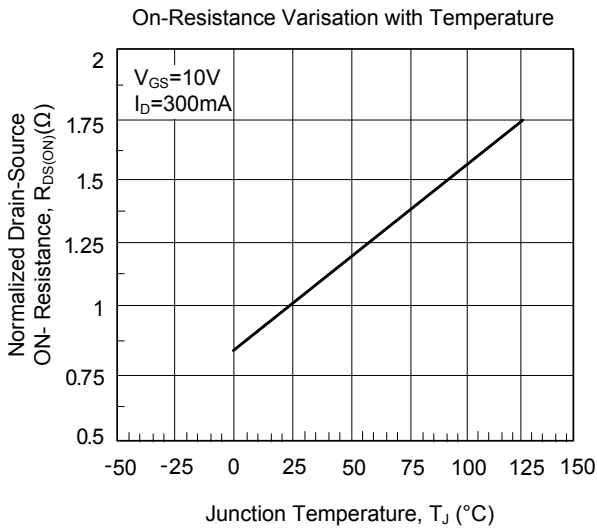
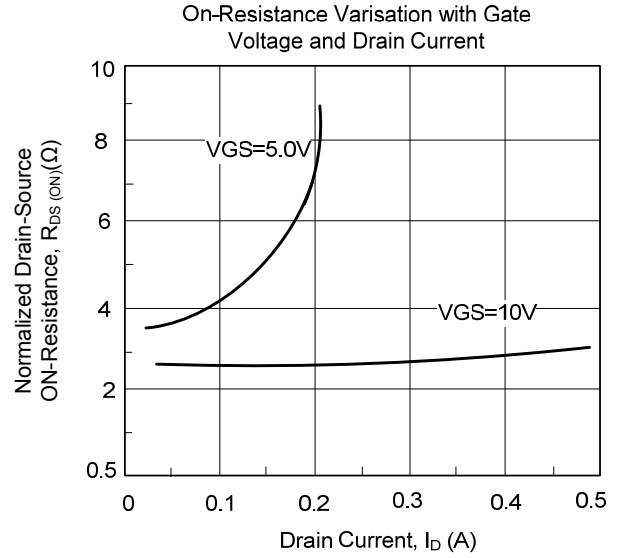
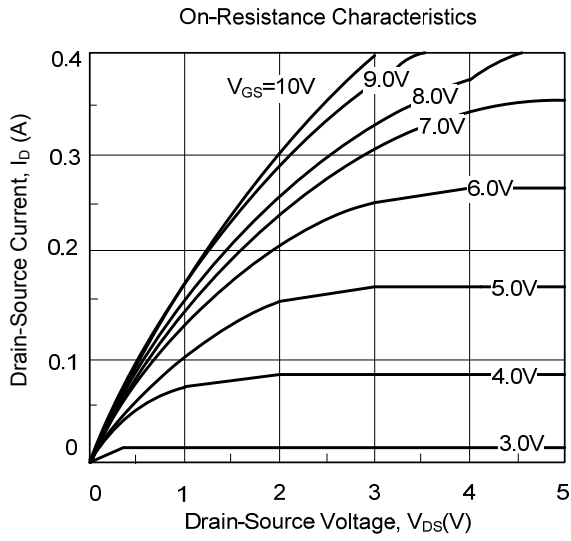


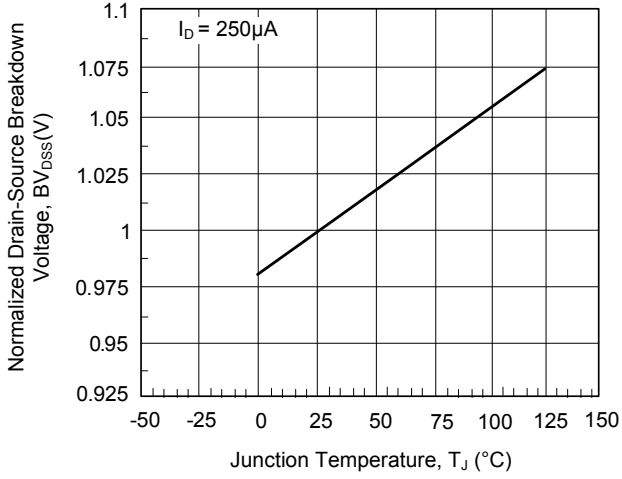
Fig. 2 Switching Waveforms

■ TYPICAL CHARACTERISTICS

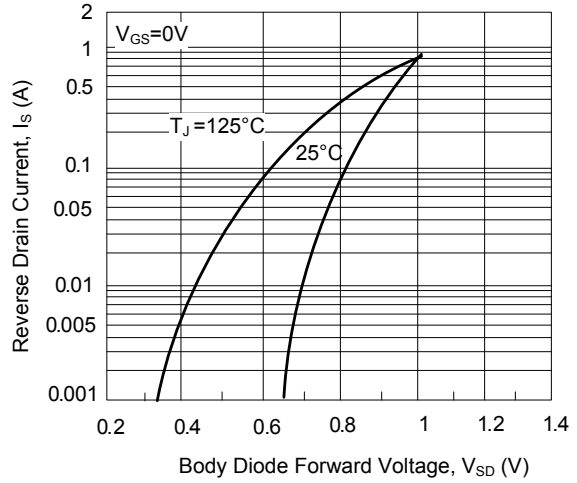


■ TYPICAL CHARACTERISTICS (Cont.)

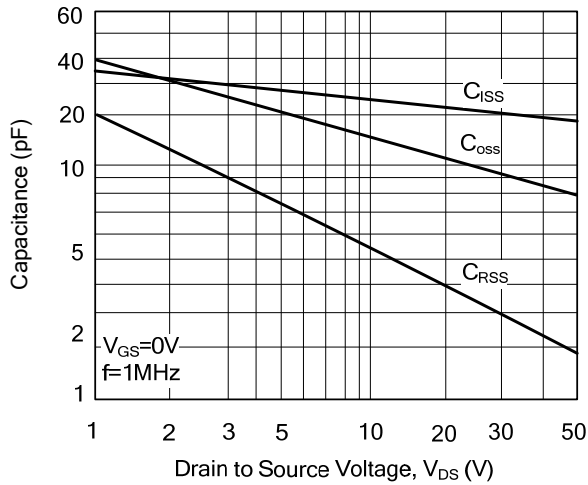
Breakdown Voltage Variation with Temperature



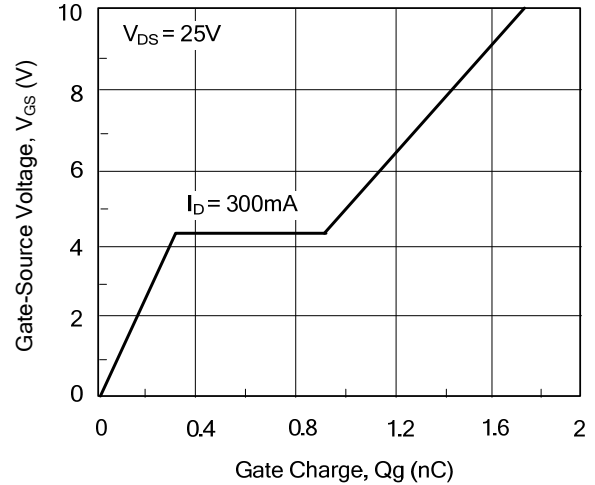
Body Diode Forward Voltage Variation with Temperature



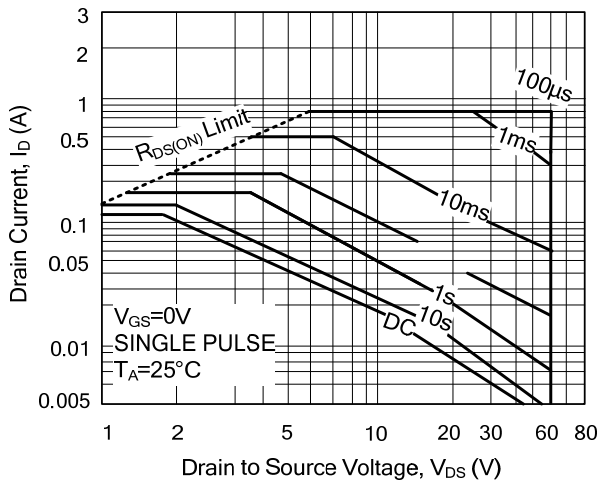
Capacitance Characteristics



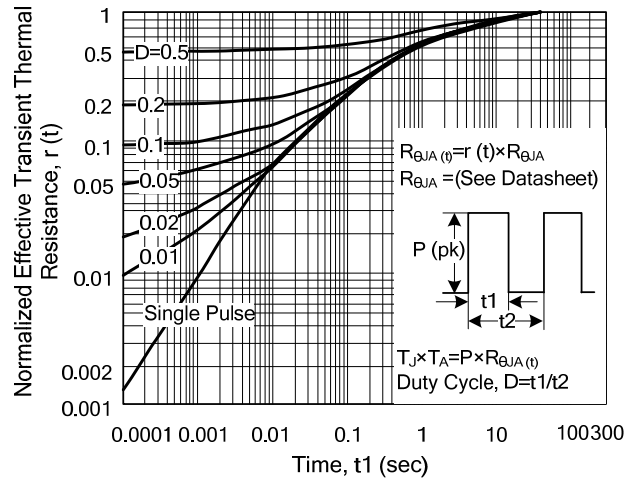
Gate Charge Characteristics



Maximum Safe Operating Area



Transient Thermal Response Curve



UTC assumes no responsibility for equipment failures that result from using products at values that exceed, even momentarily, rated values (such as maximum ratings, operating condition ranges, or other parameters) listed in products specifications of any and all UTC products described or contained herein. UTC products are not designed for use in life support appliances, devices or systems where malfunction of these products can be reasonably expected to result in personal injury. Reproduction in whole or in part is prohibited without the prior written consent of the copyright owner. The information presented in this document does not form part of any quotation or contract, is believed to be accurate and reliable and may be changed without notice.