

PLEASE CHECK WWW.MOLEX.COM FOR LATEST PART INFORMATION

Part Number: [0399800318](#)
Status: **Active**
Description: 5.08mm (.200") Pitch Beau™ Eurostyle™ Screw Clamp Plug, 18 Circuits

Documents:

[3D Model](#) [RoHS Certificate of Compliance \(PDF\)](#)
[Drawing \(PDF\)](#)

Agency Certification

UL E48521

General

Product Family	Terminal Blocks
Series	39980
Application	Wire-to-Board
Comments	Gold plating available
Component Type	Plug
Product Literature Order No	USA-267
Product Name	Eurostyle™ Pluggable
Type	Euro Block

Physical

Circuits (Loaded)	18
Color - Resin	Black
Entry Angle	Horizontal
Flammability	94V-0
Lock to Mating Part	Yes
Material - Metal	Brass
Material - Resin	Nylon
Number of Rows	1
Orientation	Vertical
PCB Retention	N/A
Panel Mount	No
Pitch - Mating Interface (in)	0.200 In
Pitch - Mating Interface (mm)	5.08 mm
Polarized to Mating Part	Yes
Shrouded	Fully
Stackable	No
Temperature Range - Operating	110°C
Termination Interface: Style	Surface Mount
Wire Size AWG	12, 14, 16, 18, 20, 22, 24

Electrical

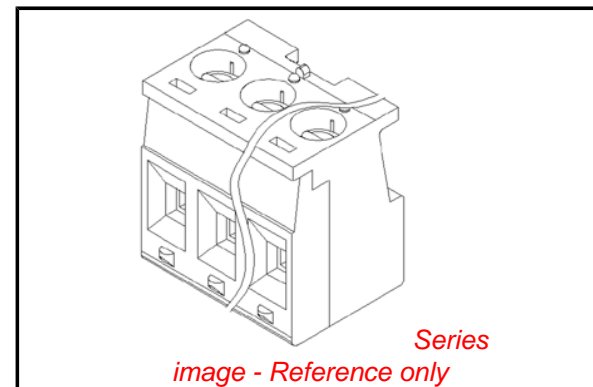
Current - Maximum per Contact	10A
Voltage - Maximum	300V

Material Info

Old Part Number	980918
-----------------	--------

Reference - Drawing Numbers

Sales Drawing	SD-39980-010
---------------	--------------



EU RoHS

RoHS Compliant by Exemption
REACH SVHC
 Not Reviewed
Halogen-Free
Status
Not Reviewed

China RoHS



Need more information on product environmental compliance?

Email productcompliance@molex.com
 For a multiple part number RoHS Certificate of Compliance, [click here](#)

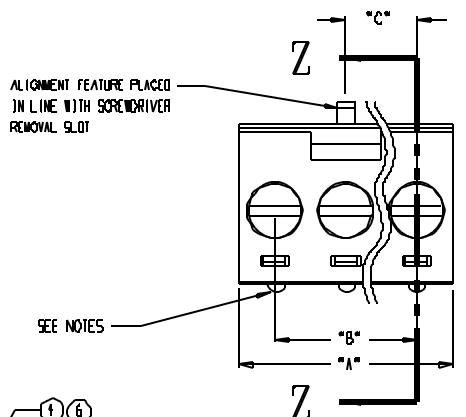
Please visit the [Contact Us](#) section for any non-product compliance questions.

Search Parts in this Series

[39980Series](#)

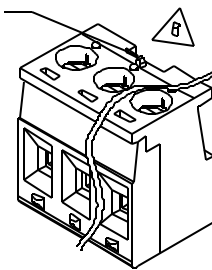
Mates With

[39980-0418](#)

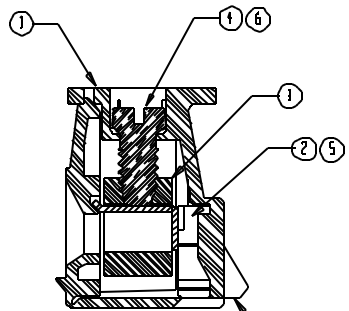


NOTES:
SNAP FEATURES
 2 CKT 2 SNAPS
 3-24 CKT 3 SNAPS
 LOCATED ON ENDS AND
 ALIGNED WITH SCREWDRIIVER
 REMOVAL SLOT

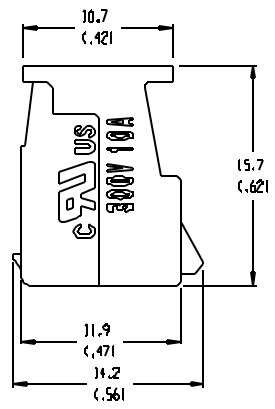
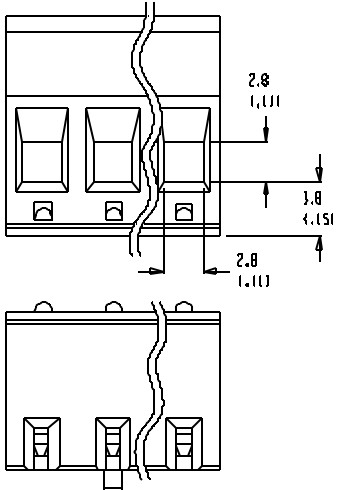
WINDOW ON PLUG
 ALIGNS WITH SNAP
 ON HEADER ALWAYS
 CENTERED ON PART
 OR ONE CIRCUIT TO
 THE LEFT OF CENTER



AUXILIARY VIEW
 SCALE 2:1



SECTION Z-Z
 ALIGNMENT FEATURE



MATERIAL NO. (OPT. -G30)	MATERIAL NO. STANDARD	NUMBER OF CIRCUITS "XX"	DIM. "A"	DIM. "B"	DIM. "C"
399810302	399800302	02	10.92 (4.30)	5.08 (2.00)	5.08 (2.00)
399810303	399800303	03	16.00 (6.30)	10.16 (4.00)	10.16 (4.00)
399810304	399800304	04	21.08 (8.30)	15.24 (6.00)	10.16 (4.00)
399810305	399800305	05	26.16 (10.30)	20.34 (8.00)	10.16 (4.00)
399810306	399800306	06	31.24 (12.30)	25.40 (1.000)	15.24 (6.00)
399810307	399800307	07	36.32 (14.30)	30.48 (1.200)	15.24 (6.00)
399810308	399800308	08	41.40 (16.30)	35.56 (1.400)	20.34 (8.00)
399810309	399800309	09	46.48 (18.30)	40.64 (1.600)	20.34 (8.00)
399810310	399800310	10	51.56 (20.30)	45.72 (1.800)	25.40 (1.000)
399810311	399800311	11	56.64 (22.30)	50.80 (2.000)	25.40 (1.000)
399810312	399800312	12	61.72 (24.30)	55.88 (2.200)	30.48 (1.200)
399810313	399800313	13	66.80 (26.30)	60.96 (2.400)	30.48 (1.200)
399810314	399800314	14	71.88 (28.30)	66.04 (2.600)	35.56 (1.400)
399810315	399800315	15	76.96 (30.30)	71.12 (2.800)	35.56 (1.400)
399810316	399800316	16	82.04 (32.30)	76.20 (3.000)	40.64 (1.600)
399810317	399800317	17	87.12 (34.30)	81.28 (3.200)	40.64 (1.600)
399810318	399800318	18	92.20 (36.30)	86.36 (3.400)	45.72 (1.800)
399810319	399800319	19	97.28 (38.30)	91.44 (3.600)	45.72 (1.800)
399810320	399800320	20	102.36 (40.30)	96.52 (3.800)	50.80 (2.000)
399810321	399800321	21	107.44 (42.30)	101.60 (4.000)	50.80 (2.000)
399810322	399800322	22	112.52 (44.30)	106.68 (4.200)	55.88 (2.200)
399810323	399800323	23	117.60 (46.30)	111.76 (4.400)	55.88 (2.200)
399810324	399800324	24	122.68 (48.30)	116.84 (4.600)	60.96 (2.400)

- NOTES:**
1. MATERIAL: SEE TABLE
 2. FINISHES: SEE TABLE
 3. PRODUCT SPECIFICATION: NOT REQUIRED
 4. PACKAGING: NOT REQUIRED
 5. MATES WITH: 98 SERIES HEADERS.

ITEM	QTY.	DESCRIPTION	MATERIAL	FINISH
6	XX	SCREW, M3 X 0.5, SLOTTED (G30 OPTION)	PHOS. BRONZE	TIN
5	XX	TERMINAL (G30 OPTION)	PHOS. BRONZE	GOLD
4	XX	SCREW, M3 X 0.5, SLOTTED	STEEL	ZN, CLEAR CHROMATE
3	XX	RISING CAGE	BRASS	NICKEL
2	XX	TERMINAL	PHOS. BRONZE	TIN
1	1	INSULATOR	NYLON	BLACK

EC NO. 11499
 DRW: RK 3-31-04
 CHK: []
 APPR: []

DESCRIPTION: []

QUALITY SYMBOLS:
 MAJOR []
 CRITICAL []
 SPEC []

GENERAL TOLERANCES (UNLESS SPECIFIED)

	MM	INCH
4 PLACES	±.0015	
3 PLACES	±.038	±.005
2 PLACES	±.13	±.01
1 PLACE	±.3	
ANGULAR	±2°	

DRAFT WHERE APPLICABLE MUST REMAIN WITHIN DIMENSIONS

SCALE: 3:1

DESIGN UNITS: MM INCH

THIRD ANGLE PROJECTION: THIRD ANGLE FIRST ANGLE

DRAWN BY & DATE: R. KEMP 3-27-02

CHECKED BY & DATE: AMP 3-27-02

APPROVED BY & DATE: P. WALTZ 3-27-02

CAD FILE NAME: 9809XX

PROJECT NO.: []

DIMENSIONS: MM INCH BOTH ONLY

REV: []

REVISE ON CAD ONLY

TITLE: SR EUROSTYLE PLUG, ASSEMBLY 5.08 (2.00)

MOLEX INCORPORATED

MATERIAL NO. SEE CHART

DRAWING NO. SD-39980-010

SHEET NO. 1 OF 1

THIS DRAWING CONTAINS INFORMATION THAT IS PROPRIETARY TO MOLEX INCORPORATED AND SHOULD NOT BE USED WITHOUT WRITTEN PERMISSION.