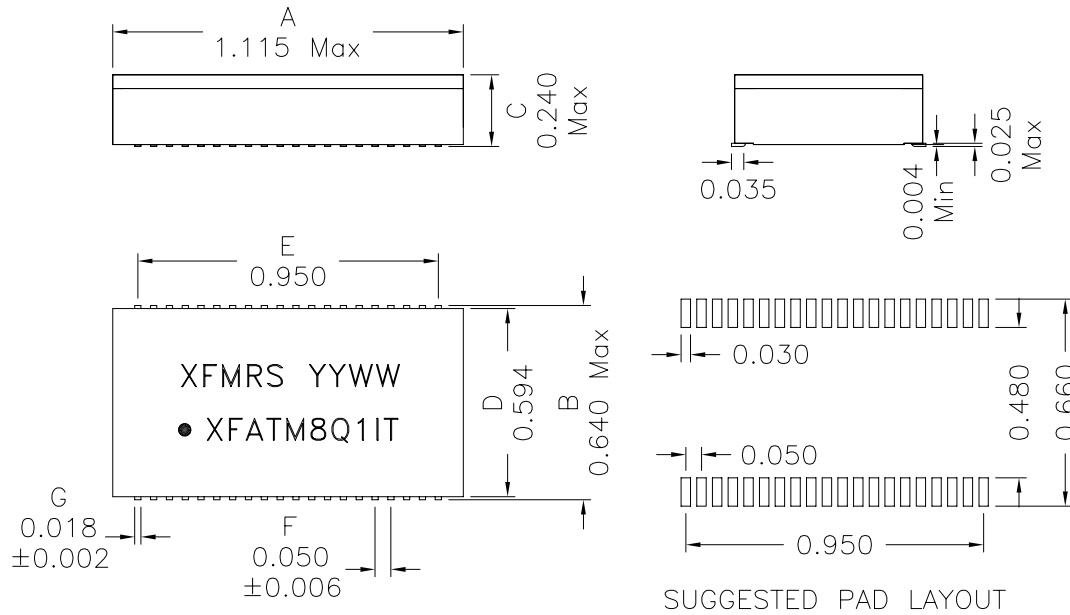
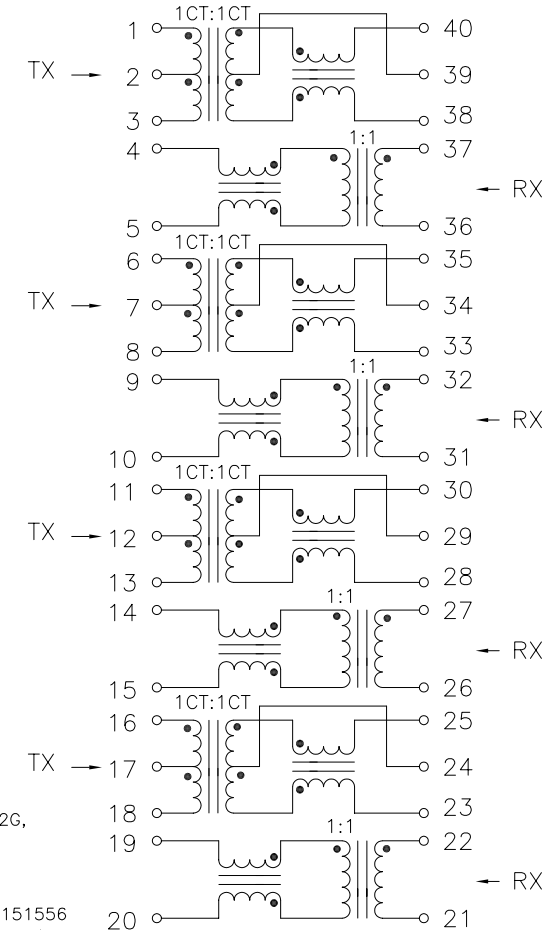


1. Mechanical Dimensions:



2. Schematic:



3. Electrical Specifications: @25°C

Isolation Voltage: 1500 Vrms (Input to Output)

OCL: 350uH Minimum @100KHz, 100mV 8mADC

INSERTION LOSS: 1.0dB Max. @100KHz - 100MHz

RETURN LOSS (dB Typ):

2-30MHz	40MHz	50MHz	60-80MHz
-21dB	-17dB	-14.5dB	-12dB

CROSSTALK (dB Typ):	1MHz	30MHz	60MHz	100MHz
	-65	-55	-45	-35

Diff. to Common Mode Rejection (dB Typ)

1-60MHz	60-200MHz
-40dB	-30dB

Common to Common Rejection Ratio:

@0.1-60MHz -30dB Typ

Q: 5 Min @10KHz, 50mV

Notes:

- Solderability: Leads shall meet MIL-STD-202G, Method 208H for solderability.
- Flammability: UL94V-0
- ASTM oxygen index: > 28%
- Insulation System: Class F 155°C. UL file E151556
- Operating Temperature Range: All listed parameters are to be within tolerance from -40°C to +85°C
- Storage Temperature Range: -55°C to +125°C
- Aqueous wash compatible
- SMD Lead Coplanarity: ±0.004"(0.102mm)
- Electrical and mechanical specifications 100% tested
- RoHS Compliant Component

XFMR5 Inc www.XFMR5.com	Title: Quad Port 10/100BASE-TX Module		
UNLESS OTHERWISE SPECIFIED TOLERANCES: .xxx ±0.010 Dimensions in INCH	P/N: XFATM8Q1IT	REV. B	
	DWN.	Feng	Aug-19-11
SHT 1 OF 1	CHK.	YK Liao	Aug-19-11
	APP.	BW	Aug-19-11

DOC. REV: B/1

PROPRIETARY

Document is the property of XFMR5 Group & is not allowed to be duplicated without authorization.