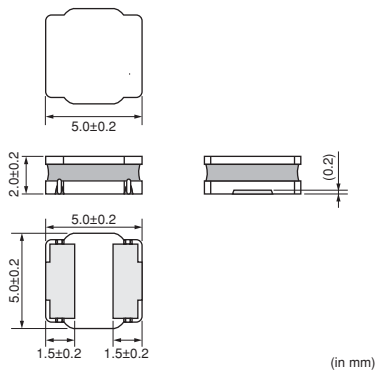


# Chip Inductor (Chip Coil) Power Inductor (Wire Wound Type)

## LQH5BP\_T0 Series (2020 Size)

### ■ Dimensions



### ■ Packaging

Code	Packaging	Minimum Quantity
L	180mm Embossed Tape	500
K	330mm Embossed Tape	3000

### ■ Rated Value (□: packaging code)

Part Number	Inductance	Rated Current (Based on Inductance Change)	Rated Current (Based on Temperature Rise)	DC Resistance	Self Resonance Frequency (min.)
LQH5BPNR47NT0□	0.47μH ±30%	7.7A	4.0A	0.012ohm ±20%	220MHz
LQH5BPN1R0NT0□	1.0μH ±30%	5.8A	3.1A	0.019ohm ±20%	90MHz
LQH5BPN1R2NT0□	1.2μH ±30%	5.4A	3.1A	0.019ohm ±20%	90MHz
LQH5BPN1R5NT0□	1.5μH ±30%	5.0A	3.0A	0.024ohm ±20%	70MHz
LQH5BPN2R2NT0□	2.2μH ±30%	4.0A	2.6A	0.030ohm ±20%	55MHz
LQH5BPN2R7NT0□	2.7μH ±30%	3.8A	2.5A	0.035ohm ±20%	50MHz
LQH5BPN3R3NT0□	3.3μH ±30%	3.5A	2.3A	0.044ohm ±20%	40MHz
LQH5BPN4R7NT0□	4.7μH ±30%	3.0A	2.0A	0.058ohm ±20%	40MHz
LQH5BPN6R8NT0□	6.8μH ±30%	2.5A	1.65A	0.083ohm ±20%	30MHz
LQH5BPN100MT0□	10μH ±20%	2.0A	1.60A	0.106ohm ±20%	25MHz
LQH5BPN150MT0□	15μH ±20%	1.6A	1.20A	0.187ohm ±20%	18MHz
LQH5BPN220MT0□	22μH ±20%	1.4A	1.05A	0.259ohm ±20%	15MHz

Test Frequency: 100kHz Class of Magnetic Shield: Magnetic shield of magnetic powder in resin

Operating Temperature Range (Self-temperature rise is included): -40 to +125°C

Operating Temperature Range (Self-temperature rise is not included): -40 to +85°C

Only for reflow soldering.

### ■ Notice (Rated Current)

When Rated Current is applied to the Products,  
Inductance will be within ±30% of nominal  
Inductance value.

When Rated Current is applied to the Products,  
self-generation of heat will rise to 40°C or less.

Continued on the following page.

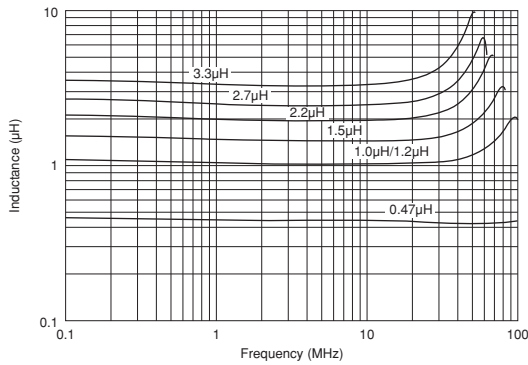
● This data sheet is applied for CHIP INDUCTORS (CHIP COILS) used for General Electronics equipment for your design.

### ⚠ Note:

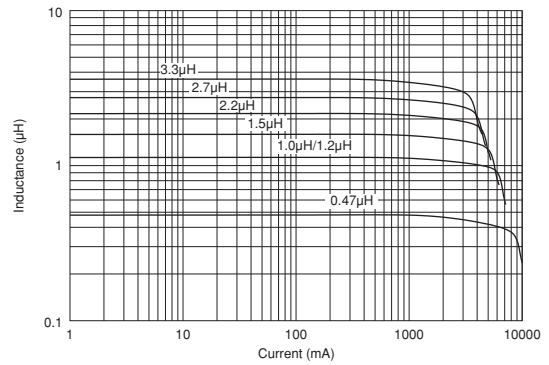
- This datasheet is downloaded from the website of Murata Manufacturing co., ltd. Therefore, it's specifications are subject to change or our products in it may be discontinued without advance notice. Please check with our sales representatives or product engineers before ordering.
- This datasheet has only typical specifications because there is no space for detailed specifications. Therefore, please approve our product specifications or transact the approval sheet for product specifications before ordering.

 Continued from the preceding page.

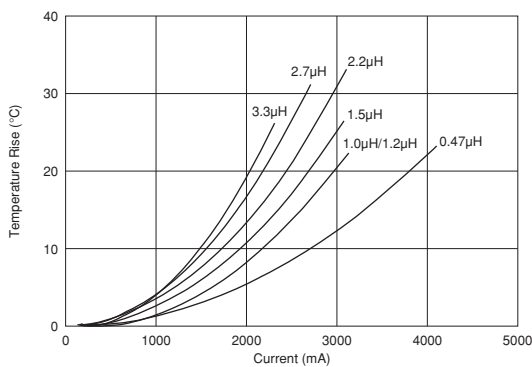
### ■ Inductance-Frequency Characteristics (Typ.)



### ■ Inductance-Current Characteristics (Typ.)



### ■ Temperature Rise Characteristics (Typ.)



### ■ ⚠ Caution/Notice

#### ⚠ Caution (Rating)

Do not use products beyond the rated current as this may create excessive heat.

#### Notice

Solderability of Tin plating termination chip might be deteriorated when low temperature soldering profile where peak solder temperature is below the Tin melting point is used. Please confirm the solderability of Tin plating termination chip before use.

● This data sheet is applied for CHIP INDUCTORS (CHIP COILS) used for General Electronics equipment for your design.

#### ⚠ Note:

1. This datasheet is downloaded from the website of Murata Manufacturing co., Ltd. Therefore, it's specifications are subject to change or our products in it may be discontinued without advance notice. Please check with our sales representatives or product engineers before ordering.
2. This datasheet has only typical specifications because there is no space for detailed specifications. Therefore, please approve our product specifications or transact the approval sheet for product specifications before ordering.