

LF Series Reset Switch



Features/Benefits

- Low operating force
- Long life
- Compact design
- High electrical ratings

Typical Applications

- Pumps
- Furnace controls



Specifications

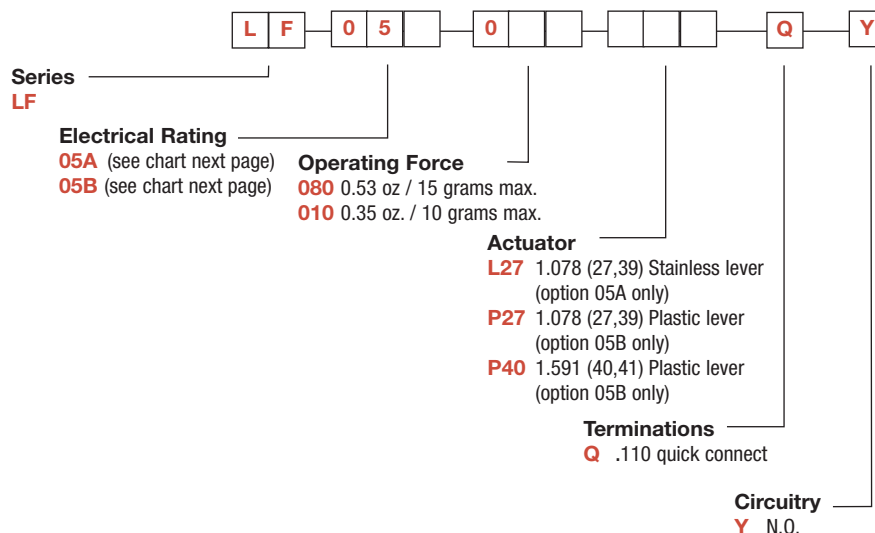
CONTACT RATING: See chart on next page
 ELECTRICAL LIFE: 100,000 cycles at 5 Amps @ 250
 INSULATION RESISTANCE: 1,000 Meg Ohms Min.
 DIELECTRIC STRENGTH: 1,000 V RMS min. @ sea
 OPERATING TEMPERATURE: -40 C to 95 C
 OPERATING FORCE: see chart on next page
 MOUNTING: 2-56 screws, torque 2.3 in/ lbs max (not included)

Materials

SWITCH HOUSING: 6/6 nylon or PBT 94V0
 ACTUATOR BUTTON: Thermoset 05A option only
 SPRING: Stainless steel 05B option
 MOVABLE CONTACT: Fine silver
 STATIONARY CONTACT: Fine silver on copper alloy
 LEVER: 05A option stainless steel
 05B option PBT 94V0

Build-A-Switch

To order, simply select desired option from each category and place in the appropriate box. Available options are shown and described on page J-64 thru J-65. For additional options not shown in catalog, consult Customer Service Center.



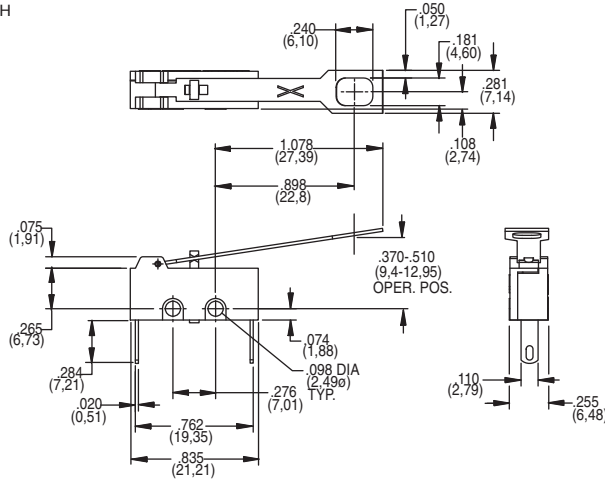
Snap-acting



Dimensions are shown: Inches (mm)
 Specifications and dimensions subject to change

LF Series Reset Switch

LF PRECISION SNAP-ACTING RESET SWITCH



ELECTRICAL RATING

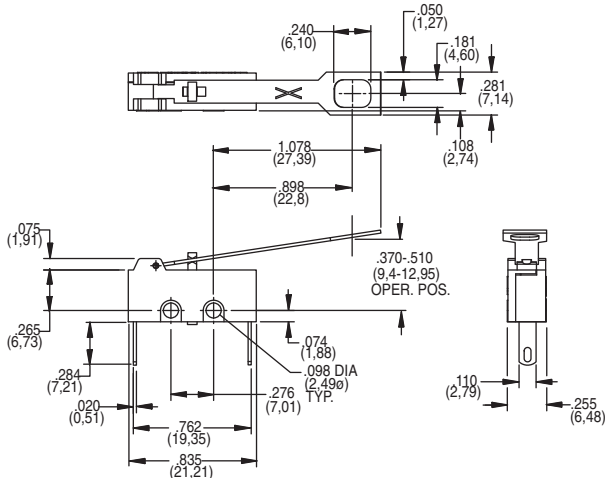
Option Code	RoHS Compliant *	RoHS Compatible *	Electrical Rating		
			Moveable Contact	Stationary Contact	Electrical Rating
05A	Yes	Yes	Fine Silver	Fine Silver on copper alloy	5 Amps @ 250VAC (UL/CSA) 2 Amps @ 480VAC (UL/CSA) 1/2 @ 480VAC (UL/CSA) 5 (1) @ 250VAC-10E3 T90 (VDE)
05B	Yes	Yes	Fine Silver	Fine Silver on copper alloy	5 Amps @ 125/250 VAC (UL/CSA) 5 (1) @ 250VAC-10E3 T90 (VDE) 1/8 HP @ 125 VAC 1/4 HP @ 250 VAC

All models with all options.

OPERATING FORCE & ACTUATOR

Switch Characteristic			
Option Code	Maximum Operate Force oz/grams	Operating Position	Differential Travel
L27	0.53 / 15	.398 ± .05	.130 ± .030
P27	0.35 / 10	.398 ± .05	.130 ± .030
P40	0.35 / 10	.500 ± .05	.140 ± .030

L27 1.078(27, 39) STAINLESS STEEL LEVER
OPTION 05A ONLY



Third Angle Projection

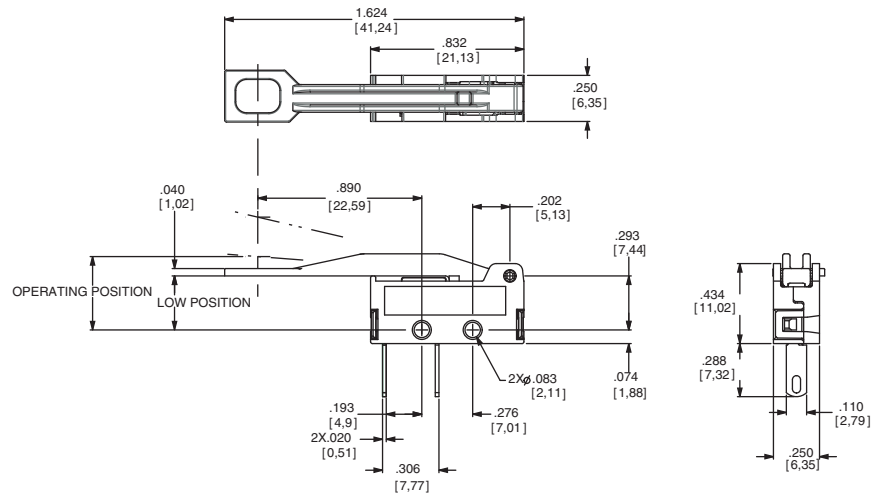
Dimensions are shown: Inch (mm)
Specifications and dimensions subject to change

C&K

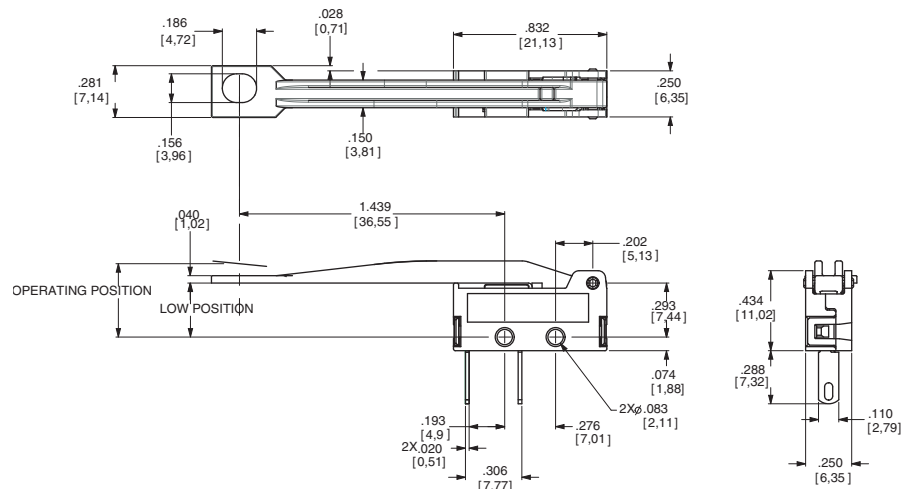
LF Series Reset Switch

ACTUATOR

P27 1.078(27, 39) PLASTIC LEVER
OPTION 05B ONLY



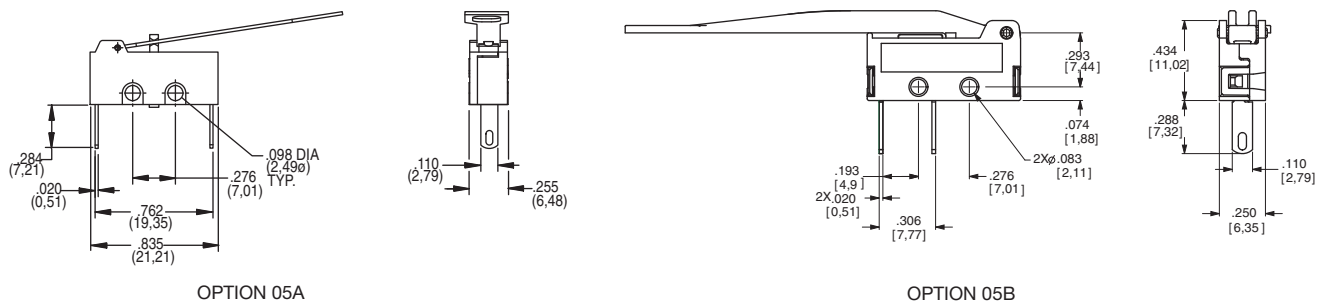
P40 1.591 (40,41) PLASTIC LEVER
OPTION 05B ONLY



Snap-acting

TERMINATIONS

Q .110 QUICK CONNECT



OPTION 05A

OPTION 05B

CIRCUITRY

Y N.O.



Third Angle
Projection
Dimensions are shown: Inches (mm)
Specifications and dimensions subject to change

