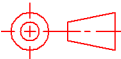
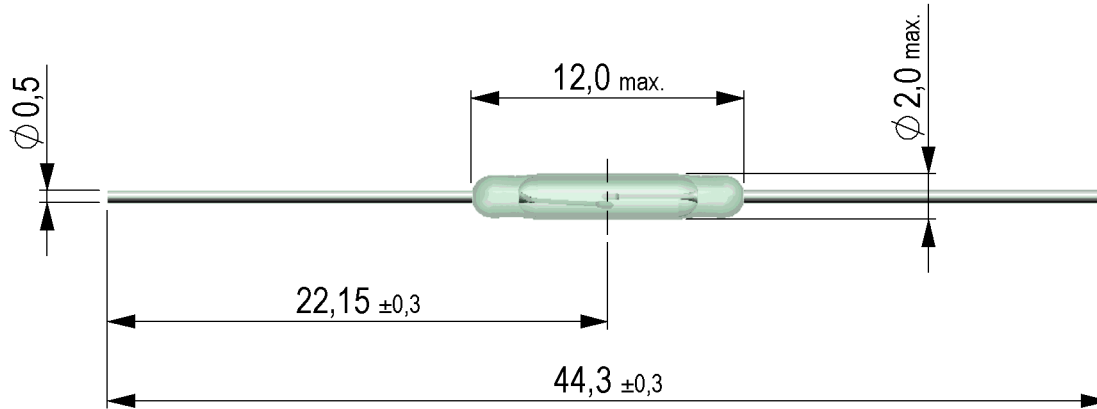


Preliminary Datasheet



tolerances according to DIN ISO 2768 m

Magnetic properties	Conditions	Min	Typ	Max	Unit
Pull-In excitation (Reference value)	Reed switch unmodified measured in coil- "define operation"	20		25	AT
Test-Coil	Reed switch unmodified	KMS-01			

Contact data 46	Conditions	Min	Typ	Max	Unit
Contact-No.		46			
Contact-form		A - NO			
Contact-material		Rhodium			
Contact rating	combination of switching voltage and current not to exceed their individual max.'s			10	W
Switching voltage	DC or Peak AC			200	V
Switching current	DC or Peak AC			0,5	A
Carry current	DC or Peak AC			1	A
Contact resistance static	Measured with 40% overdrive Start Value			150	mOhm
Contact resistance dynamic	Maximum value 1,5 ms after excitation Start Value			200	mOhm
Insulation resistance	RH <45 %, 100 V test voltage	1.000			GOhm
Breakdown voltage	according to IEC 255-5	225			VDC
Operate time incl. bounce	measured with 40% overdrive			0,7	ms
Release time	measured with no coil excitation			0,1	ms
Capacity	@ 10 kHz across open switch		0,3		pF

Contact dimensions	Conditions	Min	Typ	Max	Unit
Overall length	Tolerance according to drawing		44,3		mm
Glass body length	Tolerance according to drawing		12		mm

Environmental data	Conditions	Min	Typ	Max	Unit
Shock	1/2 sine wave duration 11ms			50	g
Vibration	from 10 - 2000 Hz			20	g
Operating temperature		-40		130	°C
Storage temperature		-55		130	°C
Soldering temperature	wave soldering max. 5 sec.	wave soldering max. 5sec.			

Modifications in the sense of technical progress are reserved

Designed at: 25.09.07 Designed by: AKELLER
 Last Change at: 10.06.09 Last Change by: AKELLER

Approval at: 25.09.07 Approval by: RKAMP
 Approval at: Approval by:

Version: 04