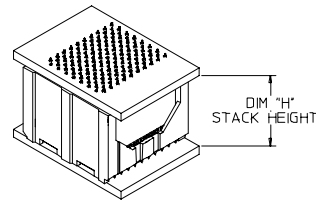
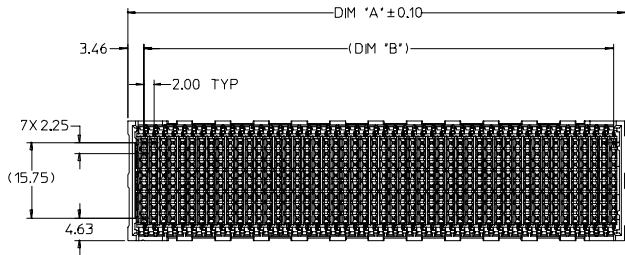


20 | 19 | 18 | 17 | 16 | 15 | 14 | 13 | 12 | 11 | 75117 | 9 | 8 | 7 | 6 | 5 | 4 | 3 | 2 | 1

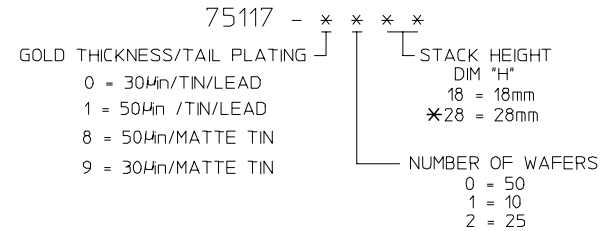


MATED VIEW
10-WAFER CONNECTOR SHOWN

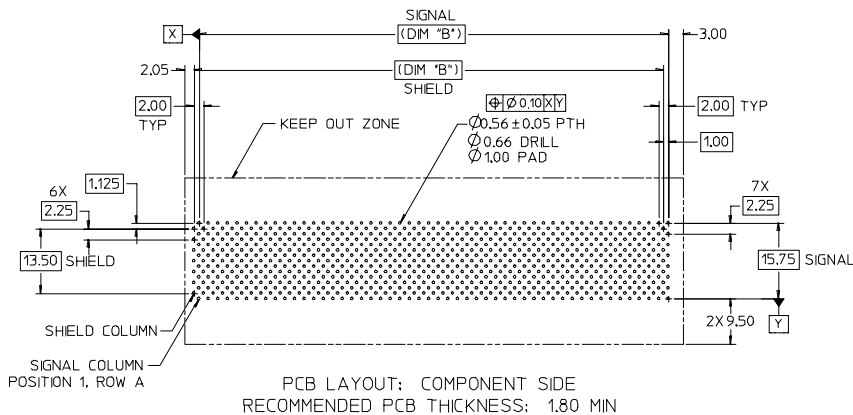
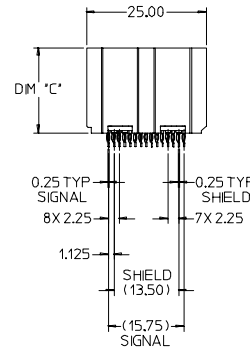
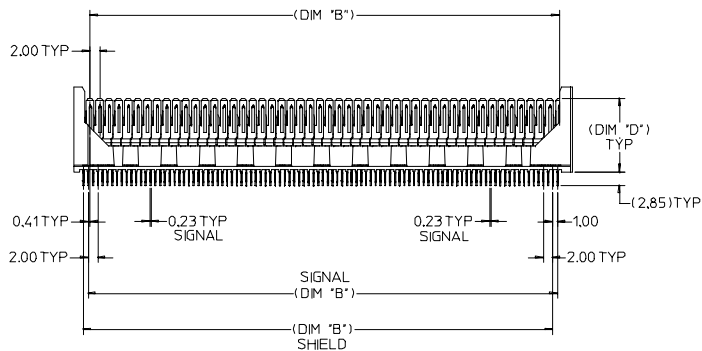
NOTES:

- MATERIALS:
RETAINER HOUSING/WAFER PLASTIC - LIQUID CRYSTAL POLYMER (LCP),
GLASS FILLED, UL94 V-0, COLOR: BLACK (30µin Au) OR GRAY (50µin Au)
TERMINALS - HIGH PERFORMANCE COPPER ALLOY
- FINISHES:
TERMINAL - SELECTIVE GOLD (Au) IN CONTACT AREA, 0.00076mm OR
0.00127mm MIN THICKNESS, SELECTIVE TIN/LEAD (Sn/Pb) OR MATTE TIN (Sn)
ON PCB TAILS,
NICKEL (Ni) UNDERPLATE OVERALL
- PRODUCT SPECIFICATION: PS-74031-999
- PACKAGING SPECIFICATION: PK-70873-0750
- MATES WITH VHDM 8-ROW BACKPLANE HEADER SERIES NO. 74060
- THESE PARTS CONFORM TO MOLEX COSMETIC SPECIFICATION PS-45499-002
CLASS B.

MATERIAL NUMBER ASSIGNMENT



* CONSULT FACTORY FOR AVAILABILITY



PCB LAYOUT: COMPONENT SIDE
RECOMMENDED PCB THICKNESS: 1.80 MM

* CONSULT FACTORY FOR AVAILABILITY

| MATERIAL NUMBER | NUMBER OF WAFERS | DIM 'A' | DIM 'B' | DIM 'C' | DIM 'D' | DIM 'H' STACK HEIGHT |
|-----------------|------------------|---------|---------|---------|---------|----------------------|
| *75117-228 | 25 | 54.05 | 48.00 | 27.74 | 25.36 | 28 |
| *75117-x128 | 10 | 24.05 | 18.00 | | | |
| *75117-x028 | 50 | 104.05 | 98.00 | | | |
| 75117-x218 | 25 | 54.05 | 48.00 | 17.74 | 15.36 | 18 |
| 75117-x118 | 10 | 24.05 | 18.00 | | | |
| 75117-x018 | 50 | 104.05 | 98.00 | | | |

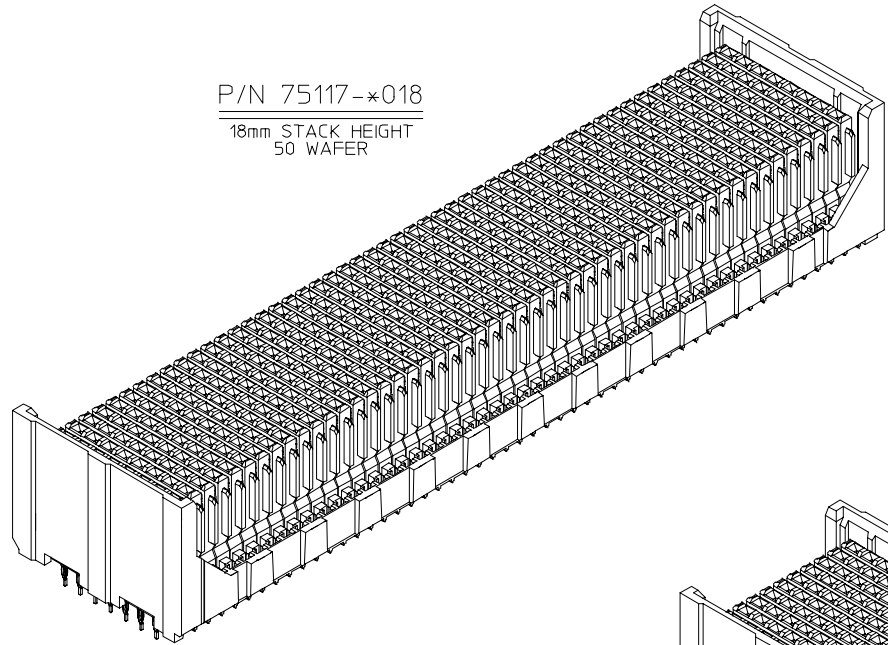
| | | | | | | |
|---|--|---|---|---------------------|------------------------|--------------------|
| MODIFIED NOTES EC NO: UCP2008-067 DRW:MSANDBER007/07/25 CHKD:JBINGHAM 2007/07/25 APPR:JBINGHAM 2007/07/25 | QUALITY SYMBOLS | GENERAL TOLERANCES (UNLESS SPECIFIED) | SCALE 2:1 | DESIGN UNITS METRIC | THIRD ANGLE PROJECTION | REVISE ON CAD ONLY |
| | 4 PLACES ± --- ± --- 3 PLACES ± --- ± --- 2 PLACES ± 0.05 ± --- 1 PLACE ± 0.10 ± --- ANGULAR ± 2 ° | DIMENSION STYLE MM ONLY DRAWN BY DATE SREED 2003/02/27 CHECKED BY DATE JBINGHAM 2003/02/27 APPROVED BY DATE CBIXLER 2003/02/27 | TITLE VHDM 8-ROW DAUGHTERCARD STACKER CONNECTOR SALES DRAWING MOLEX MOLEX INCORPORATED MATERIAL NO. DOCUMENT NO. SHEET NO. SEE CHART SD-75117-001 1 OF 2 | | | |
| C2 | DRAFT WHERE APPLICABLE MUST REMAIN WITHIN DIMENSIONS | THIS DRAWING CONTAINS INFORMATION THAT IS PROPRIETARY TO MOLEX INCORPORATED AND SHOULD NOT BE USED WITHOUT WRITTEN PERMISSION | | | | |

19 | 18 | 17 | 16 | 15 | 14 | 13 | 12 | 11 | 10 | 9 | 8 | 7 | 6 | 5 | 4 | 3 | 2 | 1

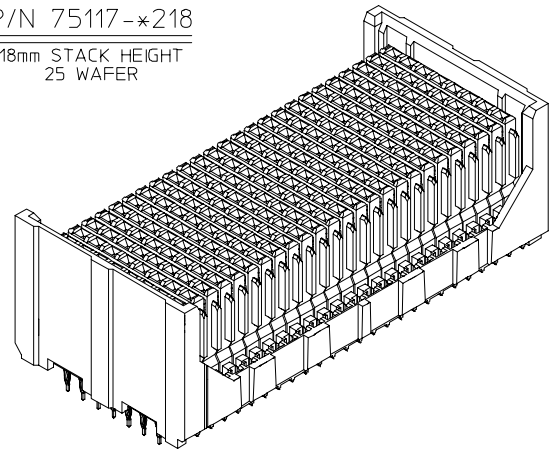
20 19 18 17 16 15 14 13 12 11 10 9 8 7 6 5 4 3 2 1

L
K
J
I
H
G
F
E
D
C
B
A

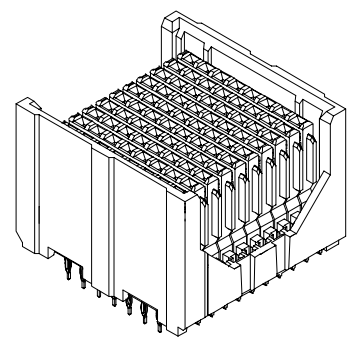
L
K
J
I
H
G
F
E
D
C
B
A



P/N 75117-*018
18mm STACK HEIGHT
50 WAFER



P/N 75117-*218
18mm STACK HEIGHT
25 WAFER



P/N 75117-*118
18mm STACK HEIGHT
10 WAFER

| SEE SHEET 1 EC NO: UCP2008-067 DRW:MSANDBER007/07/25 CHKD:JBINGHAM 2007/07/25 APPR:JBINGHAM 2007/07/25 | QUALITY SYMBOLS | GENERAL TOLERANCES (UNLESS SPECIFIED) | SCALE 4:1 | DESIGN UNITS METRIC | THIRD ANGLE PROJECTION | REVISE ON CAD ONLY | | | | | | | | | | | | | | | | | | | | | | | | |
|--|--|---|-----------|--|------------------------|--------------------|--------|---------|----------|--------|---------|----------|---------|---------|---------|---------|---------|--|-----------------|--|---------|-----------|--|-----------------|---|-----------------|---|-----------------|---|--|
| | ▼ 0 ∇ 0 | <table border="1"> <thead> <tr> <th></th> <th>mm</th> <th>INCH</th> </tr> </thead> <tbody> <tr> <td>4 PLACES</td> <td>± .005</td> <td>± .0004</td> </tr> <tr> <td>3 PLACES</td> <td>± .008</td> <td>± .0003</td> </tr> <tr> <td>2 PLACES</td> <td>± 0.015</td> <td>± .0006</td> </tr> <tr> <td>1 PLACE</td> <td>± 0.030</td> <td>± .0012</td> </tr> </tbody> </table> | | mm | INCH | 4 PLACES | ± .005 | ± .0004 | 3 PLACES | ± .008 | ± .0003 | 2 PLACES | ± 0.015 | ± .0006 | 1 PLACE | ± 0.030 | ± .0012 | <table border="1"> <thead> <tr> <th colspan="2">DIMENSION STYLE</th> </tr> <tr> <th>mm ONLY</th> <th>INCH ONLY</th> </tr> </thead> <tbody> <tr> <td>DRAWN BY SREED <td>DATE 2003/02/27 </td></td></tr> <tr> <td>CHECKED BY JBINGHAM <td>DATE 2003/02/27 </td></td></tr> <tr> <td>APPROVED BY CBIXLER <td>DATE 2003/02/27 </td></td></tr> </tbody> </table> | DIMENSION STYLE | | mm ONLY | INCH ONLY | DRAWN BY SREED <td>DATE 2003/02/27 </td> | DATE 2003/02/27 | CHECKED BY JBINGHAM <td>DATE 2003/02/27 </td> | DATE 2003/02/27 | APPROVED BY CBIXLER <td>DATE 2003/02/27 </td> | DATE 2003/02/27 | TITLE VHDM 8-ROW DAUGHTERCARD STACKER CONNECTOR SALES DRAWING | |
| | | | mm | INCH | | | | | | | | | | | | | | | | | | | | | | | | | | |
| | 4 PLACES | ± .005 | ± .0004 | | | | | | | | | | | | | | | | | | | | | | | | | | | |
| 3 PLACES | ± .008 | ± .0003 | | | | | | | | | | | | | | | | | | | | | | | | | | | | |
| 2 PLACES | ± 0.015 | ± .0006 | | | | | | | | | | | | | | | | | | | | | | | | | | | | |
| 1 PLACE | ± 0.030 | ± .0012 | | | | | | | | | | | | | | | | | | | | | | | | | | | | |
| DIMENSION STYLE | | | | | | | | | | | | | | | | | | | | | | | | | | | | | | |
| mm ONLY | INCH ONLY | | | | | | | | | | | | | | | | | | | | | | | | | | | | | |
| DRAWN BY SREED <td>DATE 2003/02/27 </td> | DATE 2003/02/27 | | | | | | | | | | | | | | | | | | | | | | | | | | | | | |
| CHECKED BY JBINGHAM <td>DATE 2003/02/27 </td> | DATE 2003/02/27 | | | | | | | | | | | | | | | | | | | | | | | | | | | | | |
| APPROVED BY CBIXLER <td>DATE 2003/02/27 </td> | DATE 2003/02/27 | | | | | | | | | | | | | | | | | | | | | | | | | | | | | |
| DESCRIPTION | DRAFT WHERE APPLICABLE MUST REMAIN WITHIN DIMENSIONS | THIS DRAWING CONTAINS INFORMATION THAT IS PROPRIETARY TO MOLEX INCORPORATED AND SHOULD NOT BE USED WITHOUT WRITTEN PERMISSION | | MOLEX INCORPORATED SEE CHART SD-75117-001 | | SHEET NO. 2 OF 2 | | | | | | | | | | | | | | | | | | | | | | | | |

19 18 17 16 15 14 13 12 11 10 9 8 7 6 5 4 3 2 1