

PLEASE CHECK WWW.MOLEX.COM FOR LATEST PART INFORMATION

Part Number: [0506370028](#)
Status: **Active**
Description: 2.00mm (.079") Pitch Crimp Terminal, Female, Reel, Lead Free

Documents:

[3D Model](#) [Product Specification PS-58719-006 \(PDF\)](#)
[Drawing \(PDF\)](#) [RoHS Certificate of Compliance \(PDF\)](#)

General

Product Family Crimp Terminals
 Series [50637](#)
 Crimp Quality Equipment Yes
 Product Name N/A

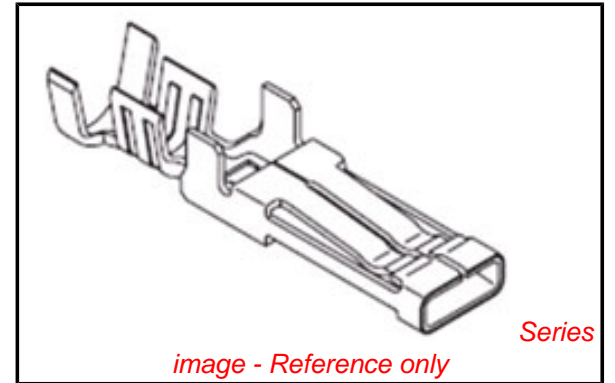
Physical

Gender Female
 Material - Metal Copper
 Material - Plating Mating Gold
 Material - Plating Termination Tin
 Packaging Type Reel
 Plating min: Mating (µin) 4
 Plating min: Mating (µm) 0.10
 Plating min: Termination (µin) 40
 Plating min: Termination (µm) 1
 Termination Interface: Style Crimp or Compression
 Wire Insulation Diameter 3.20-3.80mm (.126-.150")
 Wire Size AWG 14, 16, 18
 Wire Size mm² N/A

Material Info

Reference - Drawing Numbers

Product Specification PS-58719-006, RPS-51090-019, RPS-51200-001,
 RPS-58719-008
 Sales Drawing SD-50637-001



EU RoHS

**ELV and RoHS
 Compliant**
REACH SVHC
 Not Reviewed
**Halogen-Free
 Status**
Not Reviewed

China RoHS



**Need more information on product
 environmental compliance?**

Email productcompliance@molex.com
 For a multiple part number RoHS Certificate of
 Compliance, [click here](#)

Please visit the [Contact Us](#) section for any
 non-product compliance questions.

Search Parts in this Series
[50637Series](#)

Mates With
[50638 Male Crimp Terminal](#)

Application Tooling | [FAQ](#)

*Tooling specifications and manuals are
 found by selecting the products below.
 Crimp Height Specifications are then
 contained in the Application Tooling
 Specification document.*

Global

Description	Product #
T2 Terminator Die	0638526100
FineAdjust™ Applicator	0638626100
Hand Crimp Tool for 2.00mm (.079") Pitch Female Crimp Terminals	0638231400

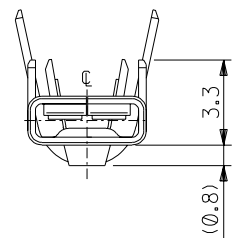
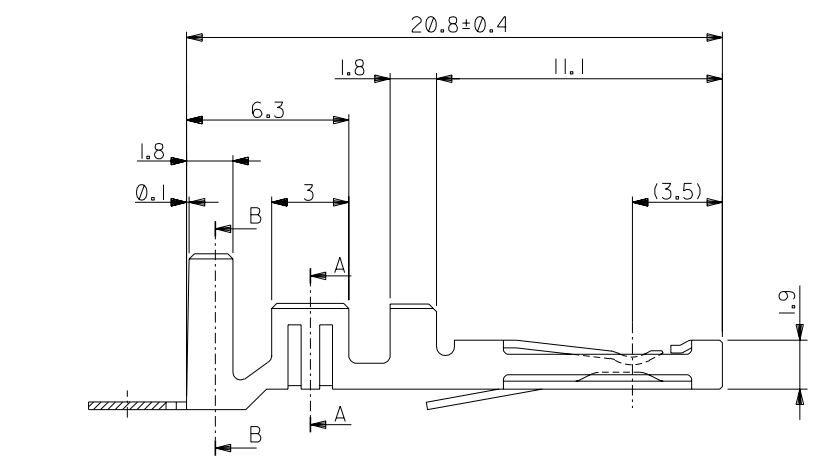
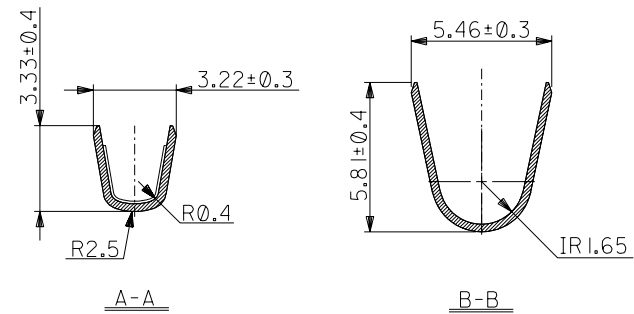
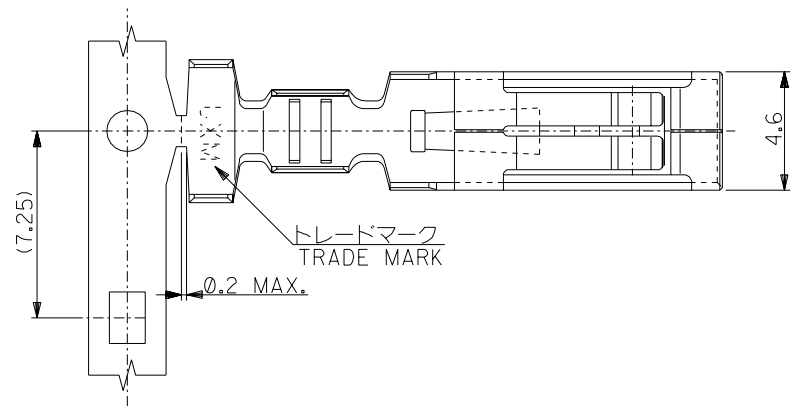
Japan

Description	Product #
-------------	-----------

Applicator for M211A 0573553000
Bench Press,
14-18 AWG, for
50637/50638/59319/59320
Crimp Terminal
Large Applicator For 0573553200
5-Ton Press

This document was generated on 04/19/2010

PLEASE CHECK WWW.MOLEX.COM FOR LATEST PART INFORMATION



注記)
NOTES:

1. 材質
MATERIAL
銅合金 (板厚: 0.3)
COPPER ALLOY (THICKNESS: 0.3)
2. メッキ仕様
TERMINAL PLATING
接点部 : 金メッキ 0.1μm MIN.
CONTACT AREA : GOLD 0.1 MICROMETER MINIMUM.
パラジウムニッケルメッキ 0.6 μm MIN.
PALLADIUM NICKEL 0.6 MICROMETER MINIMUM.
圧着部 : 錫メッキ 1.0 μm MIN.
CRIMP AREA : TIN 1.0 MICROMETER MINIMUM.
下地メッキ : ニッケルメッキ 1.5 μm MIN.
UNDER PLATE : NICKEL 1.5 MICROMETER MINIMUM.
3. 適用電線範囲 :
APPLICABLE WIRE RANGE :
UL 1015 AWG*#18~14
UL 1865 AWG*#16~14
4. 被覆外径 : φ 3.8 MAX.
INSULATION EXTERNAL DIA : φ 3.8 MAX.
5. 適用ハウジングアセンブリ : 53777シリーズ
APPLICABLE HOUSING ASS'Y : 53777 SERIES
6. 適用ハウジング : 54084-0305
APPLICABLE HOUSING : 54084-0305
7. 本製品は50637-**-49の鉛フリー品である。
THIS PRODUCT IS LEAD FREE OF 50637-**-49.

	バラ状 LOOSE	50637-0128
50637-**-28	連鎖状 CHAIN	50637-0028
MODEL No.	端子形状 TERMINAL CONFIGURATION	MATERIAL No.

角度 ANGLE	±3°	材料 MATERIAL	注記参照 SEE NOTES	材料 MATERIAL	注記参照 SEE NOTES	モレックス MOLEX-JAPAN CO.,LTD. 日本モレックス株式会社
30°以上 OVER	+0.3	仕上げ FINISH	—	仕上がり FINISH	—	REVISE ONLY ON CAD SYSTEM
10°以上 OVER	+0.25	適用電線範囲 WIRE RANGE	注記参照 SEE NOTES	適用電線範囲 WIRE RANGE	注記参照 SEE NOTES	TITLE 名称 2mm PITCH AC/DC CONN. REC. CRIMP TERM. (MIDI DRAWER CONNECTOR)
10°未満 UNDER	+0.2	被覆外径 INS. RANGE	注記参照 SEE NOTES	被覆外径 INS. RANGE	注記参照 SEE NOTES	(MIDI DRAWER CONNECTOR) -LEAD FREE-
一般公差 GENERAL TOLERANCES	記号 LTR	変更内容 REVISION RECORD	DR. / CHK. / DATE	DRAWN BY 04/05/07 H.KAWABATA	CHK'D BY 04/05/07 K.TOJO	DWG. NO. SD-50637-001
				尺度 SCALE	5 : 1	REV 0