

# Thermofit Molded Parts Specification Control Drawing

Part Number : 222F211thru285

Description : Boot, 90 Deg., With Lip

## NOTES

- All dimensions are in  $\frac{\text{inches}}{\text{[millimeters]}}$
- Dimensions appearing in table are as follows:
  - a - As Supplied
  - b - After Unrestricted Recovery
- Coating is optional. As supplied dimensions appearing in table are for uncoated parts. When coating is added, entry diameters will be reduced by .06 max.
- "S" & "T" dimensions apply to a minimum of 240° of the circumference.

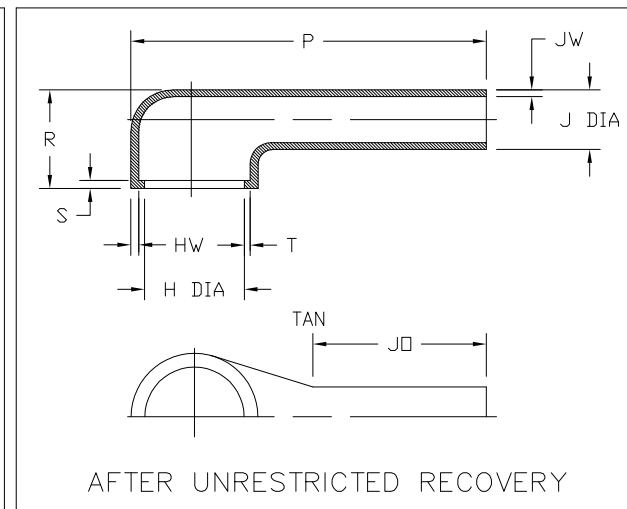
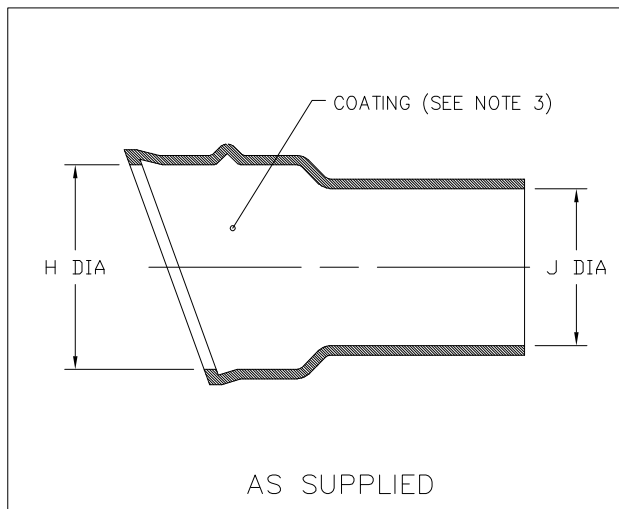


TABLE OF DIMENSIONS

PART NUMBER	H		J		P ±10% b	R ±10% b	JO ±10% b	HW +.06 -.03 b	JW ±.03 b	S +.06 -.03 b	T ±.03 b
	Min	Max	Min	Max							
	a	b	a	b							
222F211	.94 [23,9]	.39 [9,9]	.68 [17,3]	.26 [6,6]	4.14 [105,2]	.73 [18,8]	3.45 [87,6]	.06 [1,52]	.06 [1,52]	.06 [1,52]	.05 [1,27]
222F221	1.07 [27,2]	.52 [13,2]	.82 [20,8]	.30 [7,6]	4.88 [124,0]	.78 [19,8]	3.90 [99,1]	.06 [1,52]	.06 [1,52]	.06 [1,52]	.05 [1,27]
222F232	1.22 [31,0]	.73 [18,5]	.96 [24,4]	.35 [8,9]	5.76 [146,3]	.82 [20,8]	4.50 [114,3]	.07 [1,78]	.06 [1,52]	.07 [1,78]	.05 [1,27]
222F242	1.40 [35,6]	.87 [22,1]	1.13 [28,7]	.40 [10,2]	6.78 [172,2]	.86 [21,8]	5.22 [132,6]	.07 [1,78]	.06 [1,52]	.07 [1,78]	.05 [1,27]
222F253	1.53 [38,9]	1.11 [28,2]	1.24 [31,5]	.43 [10,9]	7.29 [185,2]	.96 [24,4]	5.66 [143,8]	.07 [1,78]	.06 [1,52]	.07 [1,78]	.07 [1,78]
222F263	1.78 [45,2]	1.27 [32,3]	1.51 [38,4]	.50 [12,7]	8.41 [213,6]	1.08 [27,4]	6.66 [169,2]	.07 [1,78]	.06 [1,52]	.07 [1,78]	.07 [1,78]
222F274	2.03 [51,6]	1.62 [41,1]	1.75 [44,5]	.59 [15,0]	8.84 [224,5]	1.16 [29,5]	6.82 [173,2]	.07 [1,78]	.07 [1,78]	.07 [1,78]	.07 [1,78]
222F285	2.47 [62,7]	1.69 [42,9]	1.86 [47,2]	.69 [17,5]	8.95 [227,3]	1.31 [33,3]	6.62 [168,1]	.08 [2,03]	.07 [1,78]	.07 [1,78]	.08 [2,03]

IF THIS DOCUMENT IS PRINTED IT  
BECOMES UNCONTROLLED.  
CHECK FOR THE LATEST REVISION.



TE Connectivity  
TE CONNECTIVITY  
300 CONSTITUTION DRIVE  
MENLO PARK, CALIFORNIA 94025

Revision : P1

Date : 29MAR11

Page 1 OF 2

Part Number : 222F211thru285

Description : Boot, 90 Deg., With Lip

CAD FILE MP060168

# Molded Parts Specification Control Drawing

Part Number : 222F211thru285

Description : Boot, 90 Deg., With Lip

COMPATABILITY CHART					
MATERIAL DASH NO.	MATERIAL DESCRIPTION	RT SPEC	COATING SLASH NO.	COATING S NO.	COATING DESCRIPTION
-50	Flexible VPB	RT-1313	N/A		
-51	Flexible EPB	RT-1321	/164	S-1124	Adhesive
-71	Flexible Polyolefin	RT-1316	/42,/86,/180	S-1017,S-1048,S-1030	Adhesive
-770	NBCCS	RT-770 TYPE II			

## ORDERING INFORMATION

222F2XX -XX -XX /XXX -0

Base part number

Material dash number  
(See Compatability Chart)

Modification number

Adhesive slash number  
(If necessary, see Compatability Chart)

Color Designator

IF THIS DOCUMENT IS PRINTED IT BECOMES UNCONTROLLED.  
CHECK FOR THE LATEST REVISION.

THIS DRAWING IS SUBJECT TO CHANGE WITHOUT NOTICE; CONSULT YOUR  
NEAREST FIELD REPRESENTATIVE FOR CURRENT REVISION



TE CONNECTIVITY  
300 CONSTITUTION DRIVE  
MENLO PARK, CALIFORNIA 94025

Revision : P1  
Date : 20APR11  
Page 2 OF 2

Part Number : 222F211thru285  
Description : Boot, 90 Deg., With Lip