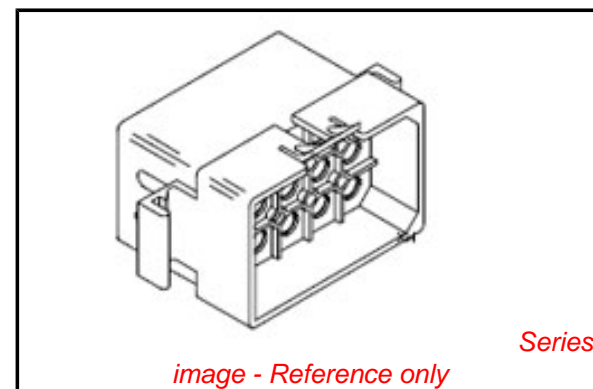


**PLEASE CHECK WWW.MOLEX.COM FOR LATEST PART INFORMATION**

**Part Number:** [0019092153](#)  
**Status:** **Active**  
**Overview:** [standard\\_093](#)  
**Description:** 2.36mm (.093") Diameter, .093" Pin and Socket Plug Housing with Positive Latch, 15 Circuits, 3 Rows, With Standard Mounting Ears

**Documents:**

<a href="#">3D Model</a>	<a href="#">Product Specification PS-02-09 (PDF)</a>
<a href="#">Drawing (PDF)</a>	<a href="#">RoHS Certificate of Compliance (PDF)</a>
<a href="#">Packaging Specification (PDF)</a>	



**Agency Certification**

CSA	LR19980
TUV	R95725
UL	E29179

**General**

Product Family	Crimp Housings
Series	<a href="#">1991</a>
Comments	Polarized to Mating Part
Overview	<a href="#">standard_093</a>
Product Name	Standard .093"

**Physical**

Breakaway	No
Circuits (maximum)	15
Circuits Detail	3x5
Color - Resin	Natural
Flammability	94V-2
Gender	Female
Glow-Wire Compliant	No
Keying to Mating Part	None
Lock to Mating Part	Yes
Material - Resin	Nylon
Number of Rows	3
Packaging Type	Bag
Panel Mount	Yes
Pitch - Mating Interface (in)	0.248 In
Pitch - Mating Interface (mm)	6.30 mm
Polarized to Mating Part	Yes
Stackable	No
Temperature Range - Operating	-40°C to +105°C

**Electrical**

Current - Maximum per Contact	7.5A
-------------------------------	------

**Material Info**

Old Part Number	1991-15P2
-----------------	-----------

**Reference - Drawing Numbers**

Packaging Specification	PK-1991-002
Product Specification	PS-02-09
Sales Drawing	SD-1991-15*

**EU RoHS**

**ELV and RoHS Compliant**  
**REACH SVHC Contains SVHC: No**  
**Halogen-Free**  
**Status Not Reviewed**

**China RoHS**



**Need more information on product environmental compliance?**

Email [productcompliance@molex.com](mailto:productcompliance@molex.com)  
 For a multiple part number RoHS Certificate of Compliance, [click here](#)

Please visit the [Contact Us](#) section for any non-product compliance questions.

**Search Parts in this Series**

[1991Series](#)

**Mates With**

[19-09-1151](#) Receptacle, [19-09-1152](#) Receptacle

**Use With**

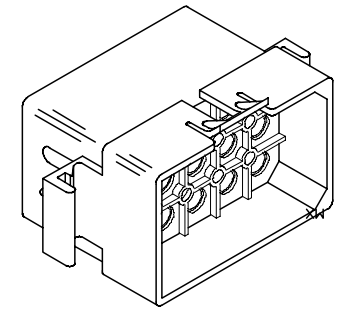
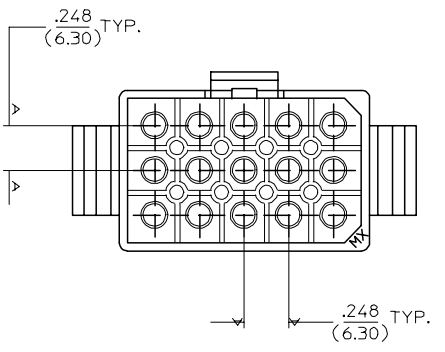
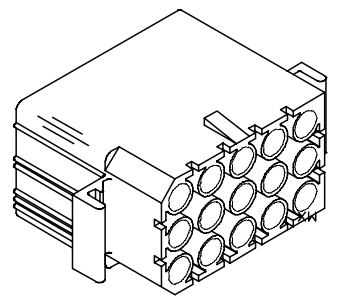
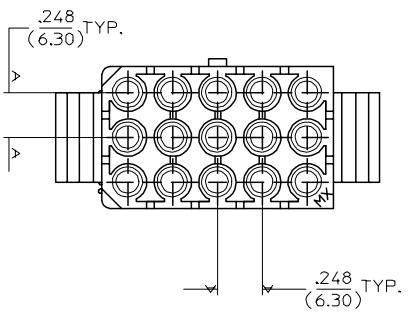
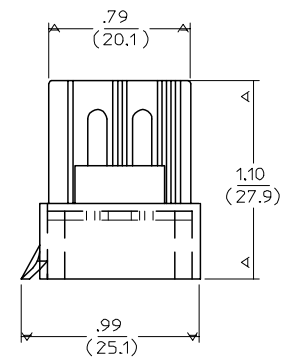
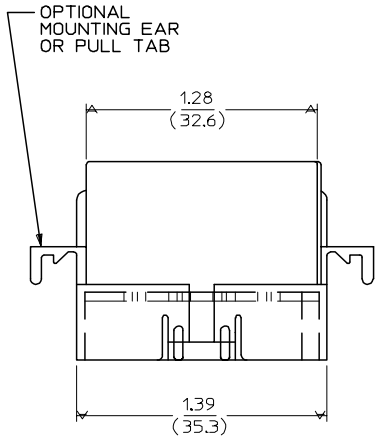
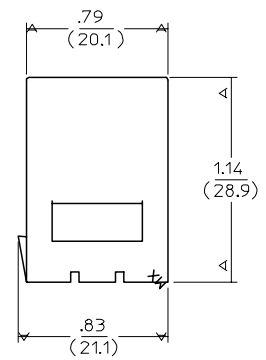
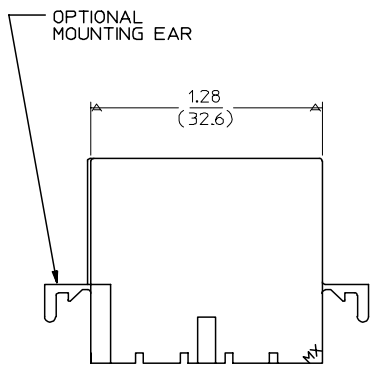
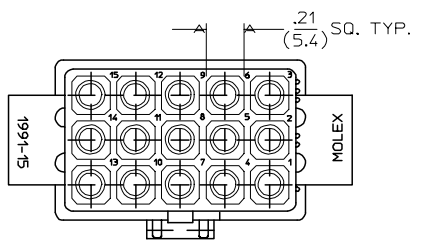
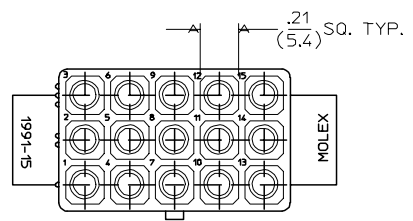
[1189](#) Crimp Terminals, [1190](#) Crimp Terminals, [1380](#) Male Crimp Terminals, [1381](#) Female Crimp Terminals, [1433](#) Crimp Terminals, [1434](#) Male Crimp Terminals, [1973](#) , [2151](#) , [2273](#) , [2870](#) , [2871](#) , [4272](#) , [4550](#) , [6271](#) , Lin

**PLEASE CHECK [WWW.MOLEX.COM](http://WWW.MOLEX.COM) FOR LATEST PART INFORMATION**

13 12 11 10 9 8 7 6 5 4 3 2 1

RECEPTACLE

PLUG



2	I
1	I
SHT. REV.	

UPDATE TITLE BLOCK EC NO: UCP2007-1498 DRW: AELHAG 2007/04/04 CHKD: AELHAG 2007/04/04 APPR: FSM TH 2007/04/04 REV. DESCRIPTION	QUALITY SYMBOLS	GENERAL TOLERANCES (UNLESS SPECIFIED)	DIMENSION STYLE	SCALE	DESIGN UNITS	THIRD ANGLE PROJECTION
	$\nabla=0$ $\nabla=0$	mm INCH 4 PLACES ± --- ± --- 3 PLACES ± --- ± .010 2 PLACES ± 0.25 ± .014 1 PLACE ± 0.35 ± --- ANGULAR ±1/2°	IN/MM DRAWN BY DATE KBW 1989/04/25 CHECKED BY DATE RW 1989/04/25 APPROVED BY DATE RAS 1989/04/25 MATERIAL NO. DOCUMENT NO.	2:1	INCH	
	DRAFT WHERE APPLICABLE MUST REMAIN WITHIN DIMENSIONS	SEE CHART THIS DRAWING CONTAINS INFORMATION THAT IS PROPRIETARY TO MOLEX INCORPORATED AND SHOULD NOT BE USED WITHOUT WRITTEN PERMISSION	TITLE .093/(2.36) HOUSINGS, PLUG AND RECEPTACLE, 15 CKT .248/(6.30) CTRS. MOLEX MOLEX INCORPORATED	SHEET NO. 1 OF 2		
				SD-1991-15*		

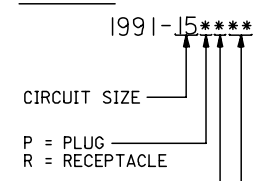
12 11 10 9 8 7 6 5 4 3 2 1

13 12 11 10 9 8 7 6 5 4 3 2 1

PLUG		
ORDER NO	ENG NO	PKG. INFORMATION
19-09-2151	1991-15P	PK-1991-002
19-09-2153	1991-15P2	PK-1991-002
19-09-7151	1991-15PBK	PK-1991-001
-	-	-
-	-	-

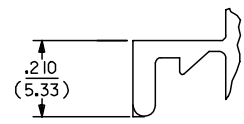
RECEPTACLE		
ORDER NO	ENG NO	PKG. INFORMATION
19-09-1151	1991-15R2	PK-1991-002
19-09-1152	1991-15R1	PK-1991-002
19-09-6151	1991-15R2BK	PK-1991-001
19-09-6152	1991-15R1BK	PK-1991-001
-	-	-
-	-	-

**LEGEND:**

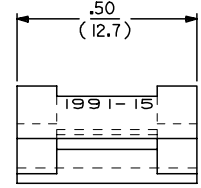
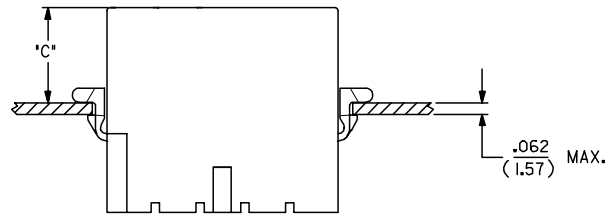


BLANK = WITH PULL TABS  
 1 = WITHOUT EARS/WITHOUT PULL TABS  
 2 = WITH STANDARD EARS  
 3 = WITH PREBENT EARS

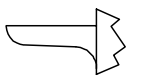
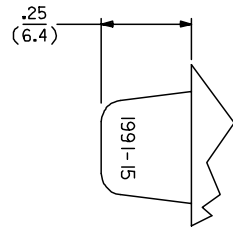
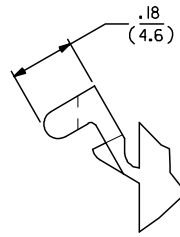
COLOR:  
 BLANK = NATURAL COLOR  
 AM = AMBER BK = BLACK BU = BLUE  
 BN = BROWN GY = GRAY GN = GREEN  
 OR = ORANGE RD = RED YW = YELLOW



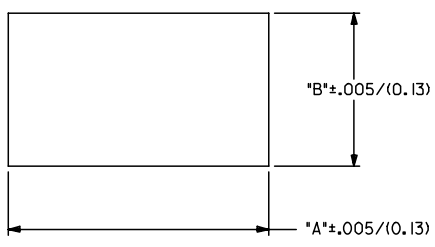
**DETAIL A**  
STANDARD MOUNTING EAR  
(SCALE 4:1)



**DETAIL B**  
PREBENT MOUNTING EAR  
(SCALE 4:1)



**DETAIL C**  
PULL TAB  
(SCALE 4:1)



RECOMMENDED PANEL OPENING

HOUSING	DIM. "A"	DIM. "B"	"C" PREBENT EAR	"C" STANDARD EAR
PLUG	1.552/(39.42)	.910/(23.11)	.31/(7.9)	.30/(7.6)
RECEPT.	1.442/(36.63)	.850/(21.60)	.54/(13.7)	.53/(13.5)

**NOTES:**

- MATERIAL: NYLON TYPE 6/6, 94V-2.
- FINISH: N/A
- PRODUCT SPECIFICATION: PS-02-09
- PACKAGING SPECIFICATION: SEE CHART
- HOUSINGS FOR USE WITH MOLEX STANDARD .093/(2.36) TYPE TERMINALS
- PARTS CONFORM TO CLASS B REQUIREMENTS OF COSMETIC SPECIFICATION PS-45499-002.

ADD NOTES 2,4 & 6 EC NO: UCP2007-1498 DRW: AELHAG 2007/04/04 CHKD: AELHAG 2007/04/04 APPR: FSM TH 2007/04/04 REV:	QUALITY SYMBOLS ▽=0 ▽=0	GENERAL TOLERANCES (UNLESS SPECIFIED)		DIMENSION STYLE IN/MM		SCALE 2:1	DESIGN UNITS INCH	THIRD ANGLE PROJECTION
		4 PLACES ± --- ± ---	DRAWN BY KBW	DATE 1989/04/25	TITLE .093/(2.36) HOUSINGS, PLUG AND RECEPTACLE 15 CKT .248/(6.30) CTRS.			
		3 PLACES ± --- ± .010	CHECKED BY RW	DATE 1989/04/25	MATERIAL NO. SD-1991-15*			
		2 PLACES ± 0.25 ± .014	APPROVED BY RAS	DATE 1989/04/25	DOCUMENT NO.			
1 PLACE ± 0.35 ± ---	ANGULAR ±1/2°		SEE CHART		SHEET NO. 2 OF 2			
DRAFT WHERE APPLICABLE MUST REMAIN WITHIN DIMENSIONS		THIS DRAWING CONTAINS INFORMATION THAT IS PROPRIETARY TO MOLEX INCORPORATED AND SHOULD NOT BE USED WITHOUT WRITTEN PERMISSION						

12 11 10 9 8 7 6 5 4 3 2 1