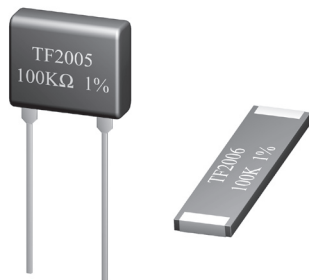


# TF2000 Series

Thick Film Resistors

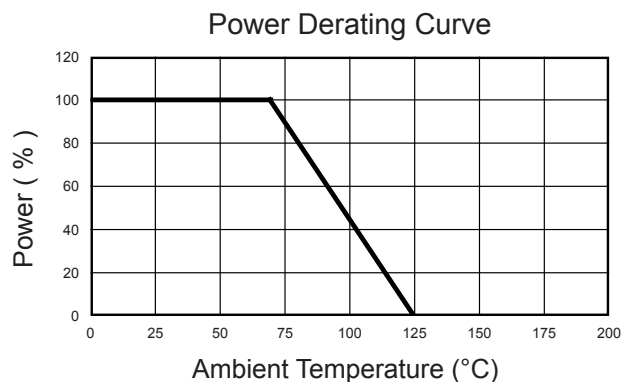


- Resistances from 100 to 20GOhms
- Power Rating 0.125 to 3Watts
- Resistance Tolerances to  $\pm 1\%$
- TCR's to  $\pm 100\text{ppm/K}$
- Voltage Ratings to 20KV
- Voltage Coefficient : 50ppm/V (MAX)
- Thick Film Resistance Element

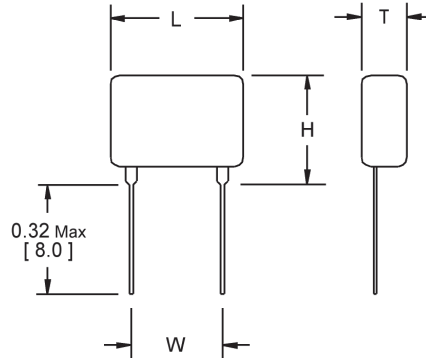
## SPECIFICATIONS

Type	2003	2004	2005	2006	2007	2009
Power Rating (W @ 70 °C )	0.125	0.25	0.40	0.70	1.5	3.0
Working Voltage (rms)	100	250	750	2000	10000	20000
Available Resistances at each Tolerance Tolerance 0.5% upon request						
$\pm 1\%$	100 - 10M	10k - 10M	10k - 22M	100k - 100M	100k - 100M	100K - 100M
$\pm 2\%$	100 - 25M	10k - 100M	10k - 200M	100k - 250M	100k - 500M	100K - 500M
$\pm 5\%$	100 - 150M	10k - 250M	10k - 500M	100k - 1G	100k - 2G	100K - 2G
$\pm 10\%$	100 - 500M	10k - 1G	10k - 10G	100k - 10G	100k - 10G	100K - 20G
Available Resistances at each Temperature Coefficient						
$\pm 100\text{ ppm/K}$	$\leq 25\text{M}$	$\leq 50\text{M}$	$\leq 250\text{M}$	$\leq 250\text{M}$	$\leq 250\text{M}$	$\leq 250\text{M}$
$\pm 250\text{ ppm/K}$	$> 25\text{M}$	$> 50\text{M}$	$> 250\text{M}$	$> 250\text{M}$	$> 250\text{M}$	$> 250\text{M}$

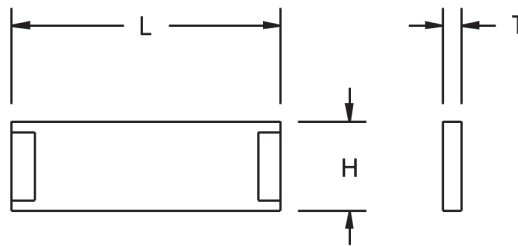
Specification	Value
Resistance Range	100 Ohms to 20G Ohms
Tolerances	$\pm 1\%$ to $\pm 10\%$
Temperature Coefficient	$\pm 100\text{ppm/K}$ / $\pm 250\text{ppm/K}$
Temperature Range	$-55^\circ\text{C}$ to $+125^\circ\text{C}$
Insulation Resistance	$> 10000\text{ MOhms}$
Shelf Life Stability	1% / 5 Years
Climatic Category	55/125/56
Max Soldering Temperature	$+260^\circ\text{C}$ / 10s
Voltage Coefficient	$< 5\text{ppm/V}$



### SPECIFICATIONS (continued)



Type	H (MAX)	L (MAX)	T (MAX)	W ±0.015" [±0.4mm]
TF2003	0.236 [6.0]	0.197 [5.0]	0.100 [2.5]	0.100 [2.5]
TF2004	0.236 [6.0]	0.287 [7.3]	0.100 [2.5]	0.200 [5.1]
TF2005	0.236 [6.0]	0.492 [12.5]	0.100 [2.5]	0.400 [10.2]
TF2006	0.236 [6.0]	0.886 [22.5]	0.100 [2.5]	0.800 [20.3]
TF2007	0.354 [9.0]	1.535 [39.0]	0.100 [2.5]	1.400 [35.6]
TF2009	0.354 [9.0]	3.071 [78.0]	0.100 [2.5]	2.900 [73.7]



Type	H (MAX)	L (MAX)	T (MAX)
TFC2004	0.153 [3.9]	0.260 [6.6]	0.032 [0.8]
TFC2005	0.153 [3.9]	0.465 [11.8]	0.032 [0.8]
TFC2006	0.153 [3.9]	0.866 [22.0]	0.032 [0.8]
TFC2007	0.26 [6.6]	1.512 [38.4]	0.032 [0.8]

### Ordering Information

Part Number - Resistance - Tolerance - TCR

Example: TF2009 100 MOhms 2% 100ppm

( Note: If no TCR is specified / the highest value will be supplied )