

# Micro USB Products

In order to cater the trend of slimmer design of the mobile devices, ACON provides a complete product line for micro USB, which is the new specification initiated by USBIF.



Micro USB not only provides smaller size solution but also supports 5Gbps transmission.

Based on the experience in design & initiate in mini USB specification, ACON had considered different mechanism requirements to come out with the design which can fit in customer's demand.

ACON's Micro USB products will be your best choice for catering the upcoming trend of ultra-slim & sleek design in mobile devices.

## Application

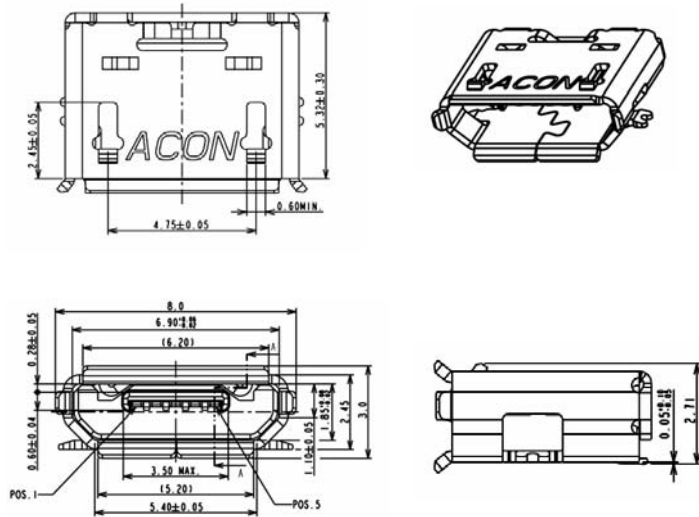
- Mobile Phone
- MP3 Player
- PMP
- Digital Still Camera

## Product Specification

<b>Durability</b>	10,000 times
<b>Mating Force</b>	35N Maximum
<b>Unmating Force</b>	8N Minimum
<b>Current Rating</b>	Pin2, 3 & 4: 1 Amp (Minimum) Pin1 & 5: 1.8 Amp
<b>Contact Resistance</b>	Initial: 30m $\Omega$ Maximum After: 40m $\Omega$ Maximum
<b>Insulation Resistance</b>	Initial: 100 M $\Omega$ min. After: 100 M $\Omega$ min.

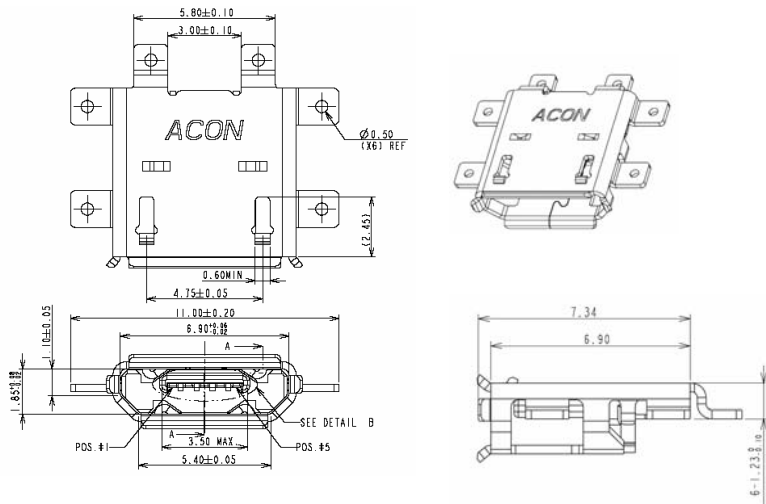
**MUC44-5K7700**

Type: Receptacle, B type, Normal type



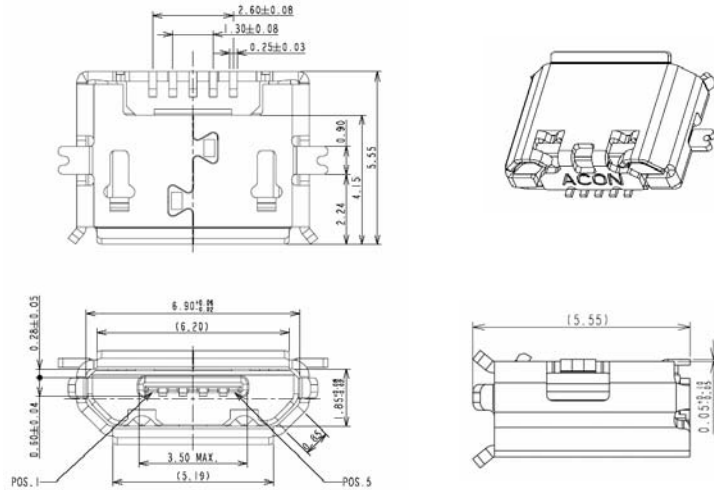
**MUC61-5K5700**

Type: Receptacle, B type, Middle Mount



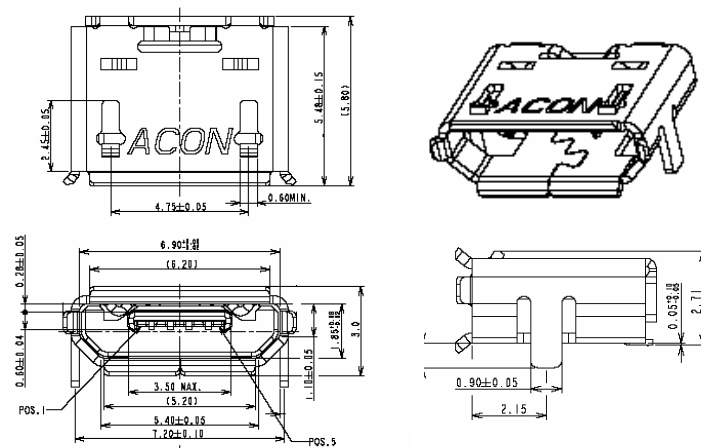
**MUC81-5K5700**

Type: Receptacle, B type, Reverse type



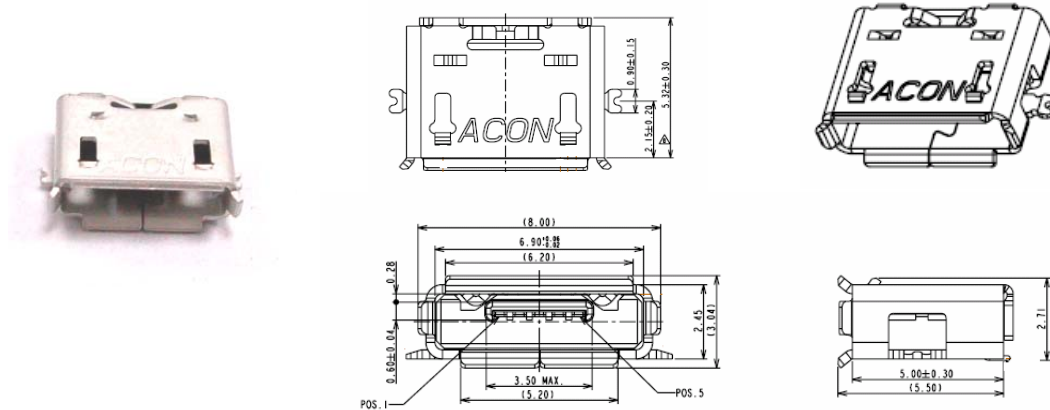
**MUC42-5K7700**

Type: Receptacle, B type, Dip Type, Normal type



**MUE44-5G7700**

Type: Receptacle, AB type, Normal type

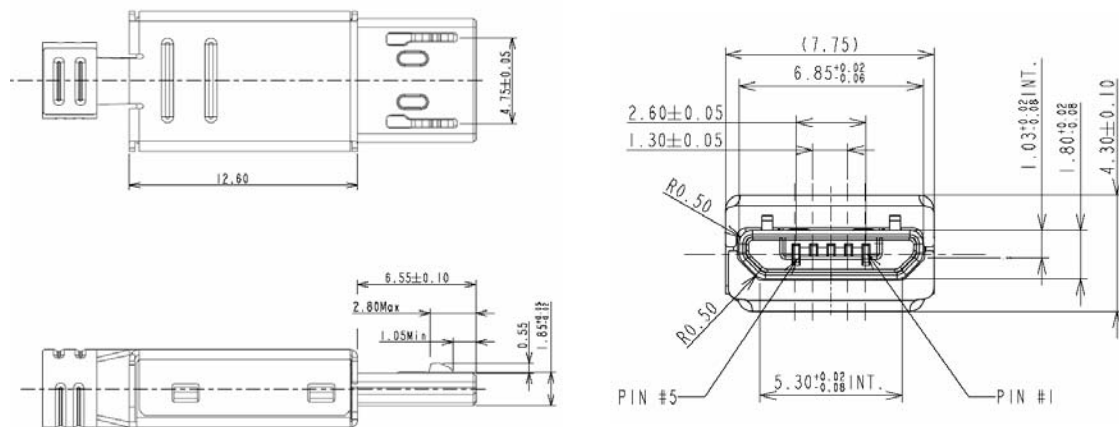


**Feature & Benefit of ACON's Micro USB Receptacle**

Feature	Benefit
Stainless Steel Shell	Provides high durability & strength
Lead-in Feature	Better blind mating
Latch Locker	Provides stronger locking force to prevent plug dropping off from receptacles
Notch Design	Prevents plastic housing being pushed out by plug during impact
Rear Cover	Prevents relevant EMI issue
Multiple Soldering Areas	Provides high retention force on PCB
Green Material	Environmental protection

## MUC35-5K5000

Type: Plug, B type, Ultra-Slim Design



### Feature & Benefit of ACON's Micro USB Receptacle

Feature	Benefit
<b>Stainless Steel Shell</b>	Provides high durability
<b>Ultra Slim Design</b>	Tiny overmold size matches the slim & tiny portable device design.
<b>Robust Mechanism Design</b>	Strict rotary pull test compliance which provides reliable data transmission
<b>Green Material</b>	Environmental protection

### Contact Information

General Sales Division (Headquarters)

E-Mail: [info@acon.com](mailto:info@acon.com)

Product Management Department (Headquarters)

E-Mail: [Kathy@acon.com](mailto:Kathy@acon.com)

ACON Connectek (Japan) Ltd.

E-Mail: [ben@aconjapan.com](mailto:ben@aconjapan.com)

Advanced Connectek U.S.A. Inc.

E-Mail: [charles.wang@acon.com](mailto:charles.wang@acon.com)

Advanced Connectek, TJ, Inc

E-Mail: [sales.tj@acon.com](mailto:sales.tj@acon.com)

Advanced Connectek, KS, Inc

E-Mail: [sales.ks@acon.com](mailto:sales.ks@acon.com)