

Product Specification

SPECIFICATION

For

APPROVAL

- () Preliminary Specification
 () Final Specification

Title	6.4" VGA TFT LCD
--------------	-------------------------

BUYER NAME	
MODEL NAME	

MODEL NAME	LP064V1-F

SIGNATURE	DATE

SIGNATURE	DATE
APPROVED BY	
YK Jee	
REVIEWED BY	
Young W. Kim	
PREPARED BY	
Justin C. Han	02-08-01

Please return 1 copy for our confirmation
with your signature and comments.

Product Engineering Dept.

TABLE of CONTENTS

NO.	ITEM	Page
-	COVER	1/22
-	TABLE of CONTENTS	2/22
-	RECORD of REVISION	3/22
1.	GENERAL DESCRIPTION	4/22
2.	MAXIMUM RATINGS	5/22
3.	ELECTRICAL SPECIFICATIONS	5/22
4.	OPTICAL SPECIFICATIONS	6/22
5.	INTERFACE CONNECTIONS	7/22
6.	SIGNAL TIMING SPECIFICATIONS	9/22
7.	SIGNAL TIMING WAVE FORMS	10/22
8.	COLOR INPUT DATA REFERENCE	11/22
9.	POWER SEQUENCE	12/22
10.	MECHANICAL CHARACTERISTICS	13/22
11.	RELIABILITY	15/22
12.	INTERNATIONAL STANDARDS	16/22
13.	DESIGNATION OF LOT MARK	17/22
14.	PACKING FORM	17/22
15	HANDLING PRECAUTIONS	18/22
-	APPENDIX	20/22

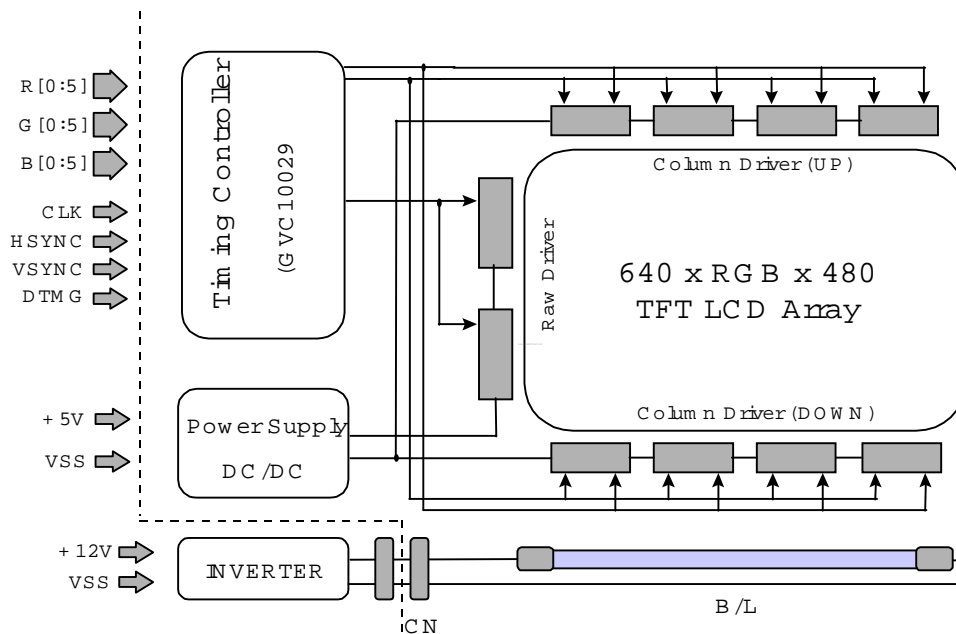
Record of Revision

DATE AND VERSION	DESCRIPTION

1. General Description

The model LP064V1-F LCD is a Color Active Matrix Liquid Crystal Display with an integral dual Cold Cathode Fluorescent Tube (CCFT) back light system. The matrix employs a-Si Thin Film Transistor as the active element. It is a transmissive type display operating in the normally white mode. This TFT-LCD has a 6.4 inch diagonally measured active display area with VGA resolution (480 vertical by 640 horizontal pixel array). Each pixel is divided into Red, Green and Blue sub-pixels or dots which are arranged in vertical stripes. Gray scale or the brightness of the sub-pixel color is determined with a 6-bit gray scale signal for each dot, thus, presenting a palette of more than 262,144 colors.

The LP064V1-F LCD is intended to support applications where low power consumption, weight and thickness are critical factors and graphic displays are important. In combination with the vertical arrangement of the sub-pixels, the LP064V1-F characteristics provide an excellent flat panel display for office automation products such as portable computers and NTSC application.



General Display Characteristics

The following are general feature of the model LP064V1-F LCD;

Active display area	6.4 inches diagonal
Outsize dimensions	168W x 123 H x 9.0D mm Typ.
Pixel pitch	0.204 mm * 0.204 mm
Pixel format	640 hor. By 480 ver. Pixels
Color depth	RGB stripe arrangement
Display operating mode	6-bit
Surface treatment	transmissive mode, normally white
	hard coating(2H),
	anti-glare treatment of the front polarizer

Product Specification

2. Maximum Ratings

The following are maximum values which, if exceeded, may cause faulty operation or damage to the unit.

Table 1 ABSOLUTE MAXIMUM RATINGS

Parameter	symbol	Values		Units	Notes
		Min.	Max.		
Power Input Voltage	V _{DD}	-0.5	+5.5	Vdc	at 25°C
Logic Input Voltage	V _{L/H}	0	V _{DD} +0.5	Vdc	at 25°C
Operating Temperature	T _{OP}	0	+50	°C	1
Storage Temperature	T _{ST}	-20	+60	°C	1

Note: 1. The relative humidity must not exceed 80% non-condensing at the temperature of 50°C or less.

At temperatures greater than 40°C, the wet bulb temperature must not exceed 49°C.

At low temperature the brightness of CCFT drop and the lifetime of the CCFT become shorter.

2. Under no condition should the unit be exposed to corrosive chemicals.

3. Electrical Specifications

The LP064V1-F requires two power inputs. One is employed to power the LCD electronics and to drive the voltages to drive the TFT array and liquid crystal. The second input which powers the backlight CCFT, is typically generated by an inverter. The inverter is an external unit to the LCD.

Table 2 ELECTRICAL CHARACTERISTICS:

Parameter	Symbol	Values			Units	Notes
		Min.	Typ.	Max.		
MODULE:						
Power Supply Input Voltage	V _{DD}	4.5	5.0	5.5	Vdc	
Power Supply Input Current	I _{DD}	-	180	300	mA	1
Ripple/Noise	-	-	-	60	mV	
Logic Input Level, High	V _{IH}	0.7V _{DD}	-	V _{DD}	Vdc	2
Logic Input Level, Low	V _{IL}	V _{SS}	-	0.3V _{DD}	Vdc	2
Power Consumption	P	-	0.9	1.54	W	1
BACKLIGHT						
Backlight Input voltage	V _{BL}	-	355	385	V _{RMS}	3
Backlight Current	I _{BL}	3.0	6.0	9.0	mA	
Lamp Kick-Off Voltage		-	-	680	V _{RMS}	25±2°C
		-	-	860		0°C
Operating Frequency	F _{BL}	35	55	80	KHz	
Lamp Life (@ 6.0 mA)			40,000		Hr	4

Notes:1. The current draw and power consumption specified is for 5.0Vdc at 25°C and 25MHz(D_{CLK}).

Typical power consumption check pattern is 8 gray scale bar.

2. Logic levels are specified for V_{DD} of 5.0 Vdc at 25°C.

The values specified apply to all Logic inputs; H_{sync}, V_{sync}, clock, data signals, etc.

3. The backlight power consumption shown above does not include loss of external inverter.

4. A life time is defined as when the brightness reduced by half of standard lightning can not be obtained at 25±2°C and lamp current is 6.0 mA. (Lamp only)

4. Optical Specifications

Optical characteristics are determined after the unit has been 'ON' and stable for approximately 30 minutes in a dark environment at 25°C. The values specified are at an approximate distance 50cm from the LCD surface at a viewing angle of Φ and θ equal to 0°.

Appendix A presents additional information concerning the specified characteristics.

Table 2 OPTICAL CHARACTERISTICS

Parameter	Symbol	Values			Units	Notes
		Min.	Typ.	Max.		
Contrast Ratio	CR	100	-	-		1
Surface Brightness, white (IBL=5.0mA)	SB _{WH}	-	500	-	cd/m ²	2
Brightness Variation	SB _V	-	-	1.42		3
Response Time						
Rise Time	Tr _R		20	50	msec	4
Decay Time	Tr _D	-	35	50	msec	4
CIE Color Coordinates						
Red	x _R	0.561	0.591	0.621		5
	y _R	0.319	0.349	0.379		5
Green	x _G	0.270	0.300	0.330		5
	y _G	0.519	0.549	0.579		5
Blue	x _B	0.114	0.144	0.174		5
	y _B	0.100	0.130	0.150		5
White	x _W	0.284	0.314	0.344		5
	y _W	0.310	0.340	0.370		5
Viewing Angle (CR>10:1)						
x axis, right ($\Phi=0^\circ$)	θ			40	degree, °	6
x axis, left ($\Phi=180^\circ$)	θ			40		
y axis, up ($\Phi=90^\circ$)	θ			10		
y axis, down ($\Phi=270^\circ$)	θ			30		

Notes 1. Contrast Ratio (CR) is defined mathematically as:

$$\text{(Surface Brightness with all white pixels)} / \text{(Surface Brightness with all black pixels)}$$

2. Surface brightness is the center of 5 points (this means number 3 in Appendix A-1 Brightness) across the LCD surface 50cm from the surface with all pixels displaying white. For more information see Appendix A..

3. The Variation in surface brightness, SB_V is determined by measuring B_{ON} at each test position 1 through 5, and then dividing the maximum B_{ON} by the minimum B_{ON}.

$$\text{Maximum (B}_{ON1}, \text{B}_{ON2}, \dots, \text{B}_{ON5}) / \text{Minimum (B}_{ON1}, \text{B}_{ON2}, \dots, \text{B}_{ON5})$$

4. Response time is the time required for the display to transition from white to black (Rise Time, Tr_R) and from black to white (Decay Time, Tr_D). For additional information see Appendix A.

5. Color Coordinates is unfixed

6. Viewing angle is the angle at which the contrast ratio is greater than 10. The angles are determined for the horizontal or x axis and the vertical or y axis with respect to the z axis which is normal to the LCD surface. For more information see Appendix A.

5. Interface Connections

This LCD employs two interface connections, a 31 pin connector is used for the module and a three pin connector is used for the integral backlight system.

The electric interface connector is a model DF9B-31P-1V, manufactured by Hirose. The mating connector part number is DF9-31S-1V or equivalent. The pin configuration for the connector is shown in the table below.

Table 3 MODULE CONNECTOR PIN CONFIGURATION

Pin	Symbol	Description	Notes
1	Vss	Ground	Connect to Vss, see Note 1
2	CLK	Main clock	
3	Hsync	Horizontal sync.	
4	Vsync	Vertical sync.	
5	Vss	Ground	Connect to Vss, see Note 1
6	R0	Red data	Red data least significant bit(LSB)
7	R1	Red data	
8	R2	Red data	
9	R3	Red data	
10	R4	Red data	
11	R5	Red data	Red data most significant bit(MSB)
12	Vss	Ground	Connect to Vss, see Note 1
13	G0	Green data	Green data least significant bit(LSB)
14	G1	Green data	
15	G2	Green data	
16	G3	Green data	
17	G4	Green data	
18	G5	Green data	Green data most significant bit(MSB)
19	Vss	Ground	Connect to Vss, see Note 1
20	B0	Blue data	Blue data least significant bit(LSB)
21	B1	Blue data	
22	B2	Blue data	
23	B3	Blue data	
24	B4	Blue data	
25	B5	Blue data	Blue data most significant bit(MSB)
26	Vss	Ground	
27	DTMG	Data Timing Signal	
28	Vdd	Power(+5V)	Connect to V _{DD} , see Note 2
29	Vdd	Power(+5V)	Connect to V _{DD} , see Note 2
30	OAS	O/A, A/V Selection	see Note3
31	NC	No Connection	

- Notes:
1. All GND(ground) pins should be connected together and to Vss which should also be connected to the LCD's metal frame.
 2. All V_{DD}(power input) pins should be connected together.
 3. This pin is Logic input pin and is connected V_{DD}(power input) with surge protection circuit.
 4. DTMG, H_{SYNC} and V_{SYNC} shall be supplied simultaneously.

Product Specification

The backlight interface connector is a model BHR-03VS-1, manufactured by JST. The mating connector part number is SM02(8.0)B-BHS-1-TB or equivalent. The pin configuration for the connector is shown in the table below.

Table 4 BACKLIGHT CONNECTOR PIN CONFIGURATION

Pin	Symbol	Description	Notes
1	HV	Lamp power input	1
2	NC	No connect	
3	LV	Ground	

Notes: 1. The input power terminal is colored pink.

Product Specification

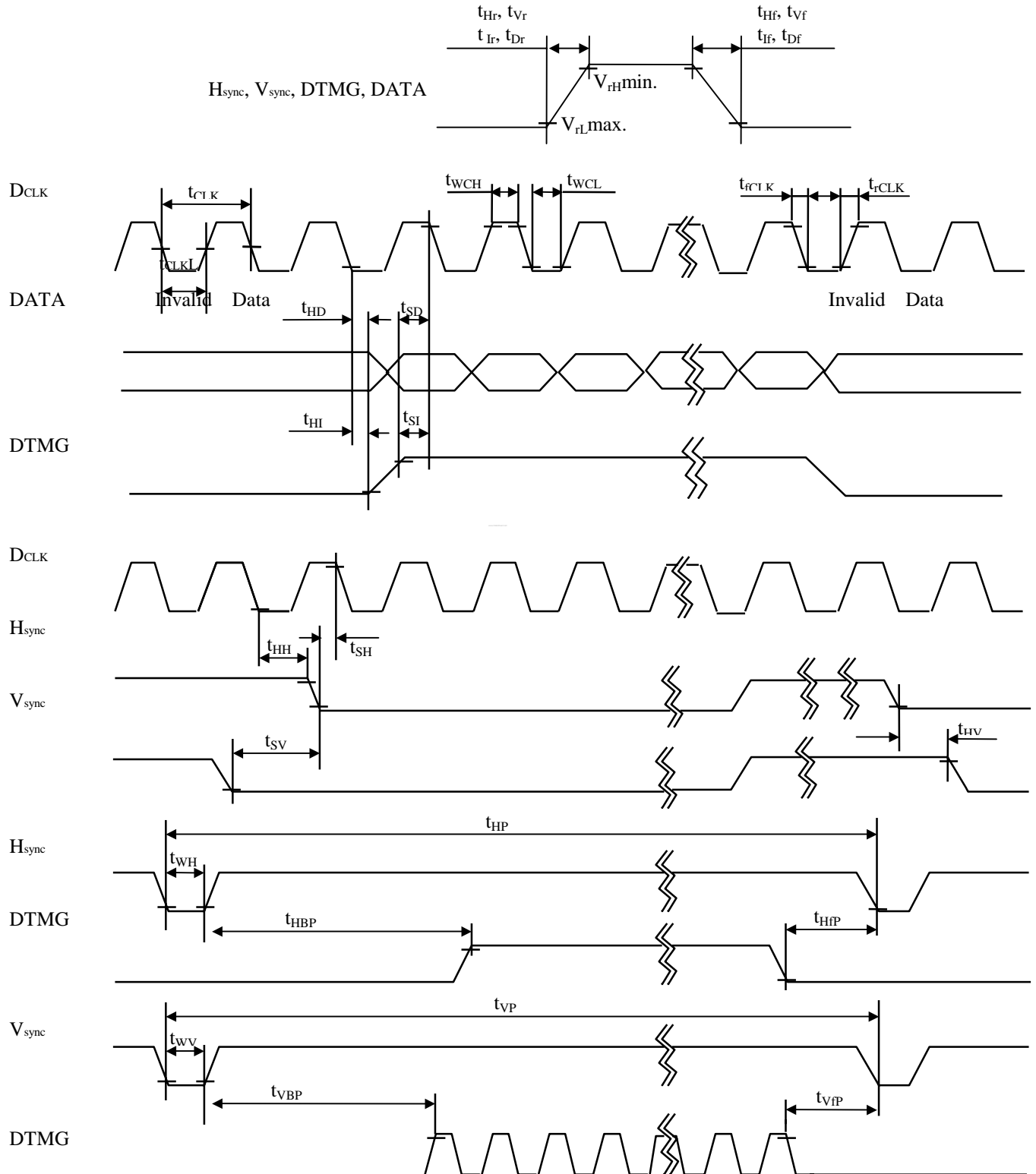
6. Signal Timing Specifications

ITEM		Symbol	Value			Units	Notes
			Min.	Typ.	Max.		
CLK	Period	t_s	35.71	39.72		ns	$D=t_s/t_{CLK}$
	Frequency	f_{CLK}	-	25.18	28	Mhz	
	Width-Low	t_{sl}	7	-	-	ns	
	Width-High	t_{sh}	7	-	-	ns	
	Rise Time	t_{rCLK}	7	-	-	ns	
	Fall Time	t_{fCLK}	7	-	-	ns	
	Duty	D	0.45	0.5	0.55	-	
H_{sync}	Set-up Time	t_{ls}	3	-	-	ns	
	Rise/Fall Time	t_{Hr}, t_{Hf}	-	-	30	ns	
	Period	$t_{pl} = t_{pd}$	776	(800)	880	t_{CLK}	
	H-Display Time	t_{hd}	640	640	640	t_{CLK}	
	Width-Active	t_{lw}	12	96	200	t_{CLK}	
V_{sync}	Set-up Time	t_{li}	0	-	- - -	t_{CLK}	
	Rise/Fall Time	t_{vr}, t_{vf}	-	-	50	t_{CLK}	
	Period	$t_{pf} = t_{pd}$	515	(525)	560	line	
	H-Display Time	t_{vd}	480	480	480	line	
	Width-Active	t_{fw}	1	2	34	line	
DTMG	Set up Time	t_{drs}	3	-	-	ns	
	Hold Time	t_{drh}	8	-	-	ns	
	Rise/Fall Time	t_{lr}, t_{lf}	-	-	30	ns	
	Horizontal Back Porch	t_{hbp}	8	48	-	t_{CLK}	
	Horizontal Front Porch	t_{hfp}	5	16	-	t_{CLK}	
	Vertical Back Porch	t_{vbp}	8	32	-	line	
	Vertical Front Porch	t_{vfp}	4	11	-	line	
DATA	Set up Time	t_{ds}	7	-	-	ns	
	Hold Time	t_{dh}	14	-	-	ns	
	Rise/Fall Time	t_{dr}, t_{df}	-	-	25	ns	

* Setup, Hold, Rise and Fall Times are TBD.

7. Signal Timing Wave Forms

(DATA : Latched at Fall edge of D_{CLK})



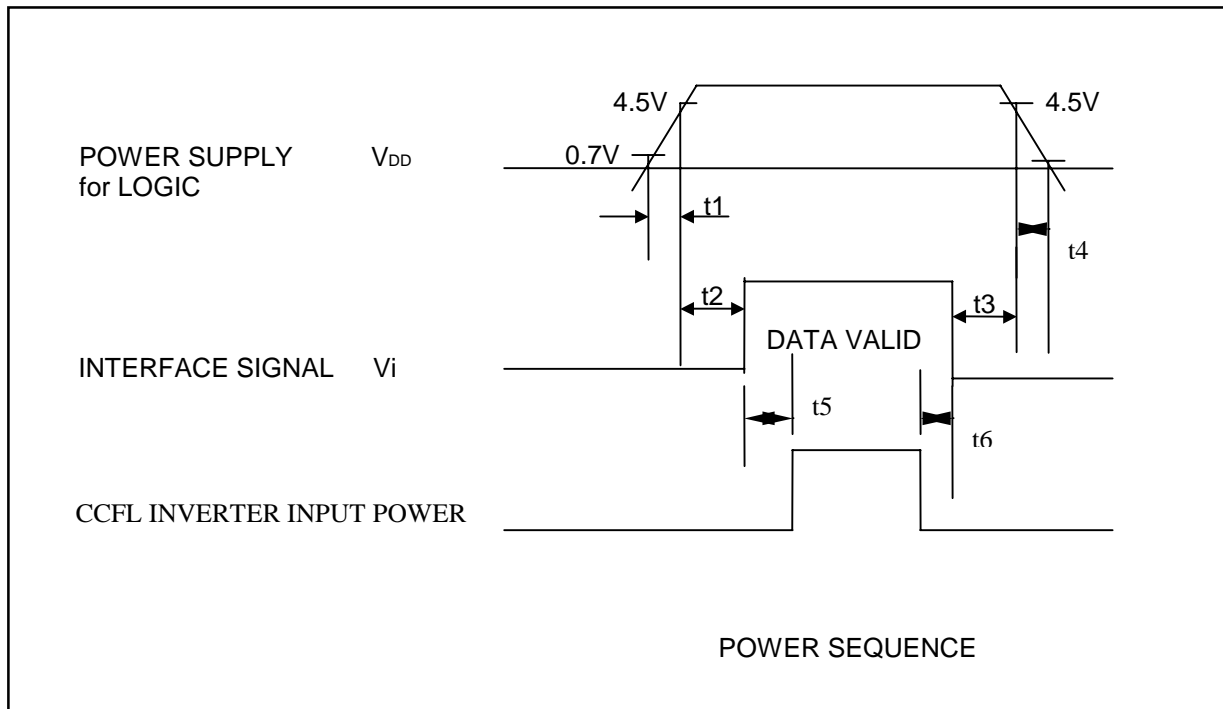
8. Color Input Data Reference

The brightness of each primary color(red, green and blue) is based on the 6-bit gray scale data input for the color; the higher the binary input, the brighter the color. The table below provides a reference for color versus data input.

Table 5 COLOR DATA REFERENCE

Color		Input Color Data																	
		Red						Green						Blue					
		R5	R4	R3	R2	R1	R0	G5	G4	G3	G2	G1	G0	B5	B4	B3	B2	B1	B0
Basic Colors	Black	0	0	0	0	0	0	0	0	0	0	0	0	0	0	0	0	0	0
	Red(63)	1	1	1	1	1	1	0	0	0	0	0	0	0	0	0	0	0	0
	Green(63)	0	0	0	0	0	0	1	1	1	1	1	1	0	0	0	0	0	0
	Blue(63)	0	0	0	0	0	0	0	0	0	0	0	0	1	1	1	1	1	1
	Cyan	0	0	0	0	0	0	1	1	1	1	1	1	1	1	1	1	1	1
	Magenta	1	1	1	1	1	1	0	0	0	0	0	0	1	1	1	1	1	1
	Yellow	1	1	1	1	1	1	1	1	1	1	1	1	0	0	0	0	0	0
	White	1	1	1	1	1	1	1	1	1	1	1	1	1	1	1	1	1	1
Red	Red(00) Black	0	0	0	0	0	0	0	0	0	0	0	0	0	0	0	0	0	0
	Red(01)	0	0	0	0	0	1	0	0	0	0	0	0	0	0	0	0	0	0
	Red(02)	0	0	0	0	1	0	0	0	0	0	0	0	0	0	0	0	0	0
	:	:	:	:	:	:	0	0	0	0	0	0	0	0	0	0	0	0	
	Red(61)	1	1	1	1	0	1	0	0	0	0	0	0	0	0	0	0	0	0
	Red(62)	1	1	1	1	1	0	0	0	0	0	0	0	0	0	0	0	0	0
	Red(63)	1	1	1	1	1	1	0	0	0	0	0	0	0	0	0	0	0	0
Green	Green(00) Black	0	0	0	0	0	0	0	0	0	0	0	0	0	0	0	0	0	0
	Green(01)	0	0	0	0	0	0	0	0	0	0	1	0	0	0	0	0	0	0
	Green(02)	0	0	0	0	0	0	0	0	0	0	1	0	0	0	0	0	0	0
	:	:	:	:	:	:	0	0	0	0	0	0	0	0	0	0	0	0	
	Green(61)	0	0	0	0	0	0	1	1	1	1	0	1	0	0	0	0	0	0
	Green(62)	0	0	0	0	0	0	1	1	1	1	1	0	0	0	0	0	0	0
	Green(63)	0	0	0	0	0	0	1	1	1	1	1	1	0	0	0	0	0	0
Blue	Blue(00) Black	0	0	0	0	0	0	0	0	0	0	0	0	0	0	0	0	0	0
	Blue(01)	0	0	0	0	0	0	0	0	0	0	0	0	0	0	0	0	0	1
	Blue(02)	0	0	0	0	0	0	0	0	0	0	0	0	0	0	0	0	1	0
	:	:	:	:	:	:	0	0	0	0	0	0	:	:	:	:	:	:	
	Blue(61)	0	0	0	0	0	0	0	0	0	0	0	0	1	1	1	1	0	1
	Blue(62)	0	0	0	0	0	0	0	0	0	0	0	0	1	1	1	1	1	0
	Blue(63)	0	0	0	0	0	0	0	0	0	0	0	0	1	1	1	1	1	1

9. Power Sequence



$$t_1 \leq 40\text{msec}, \quad 0 < t_2 \leq 50\text{msec}, \quad 0 < t_3 \leq 50\text{msec}, \quad t_4 < 1\text{sec}, \quad 0 < t_5 \leq 2 \text{ sec}, \quad 0 < t_6 \leq 2\text{sec}$$

* Set $0 \text{ Volt} < V_i(t) \leq V_{DD}(t)$

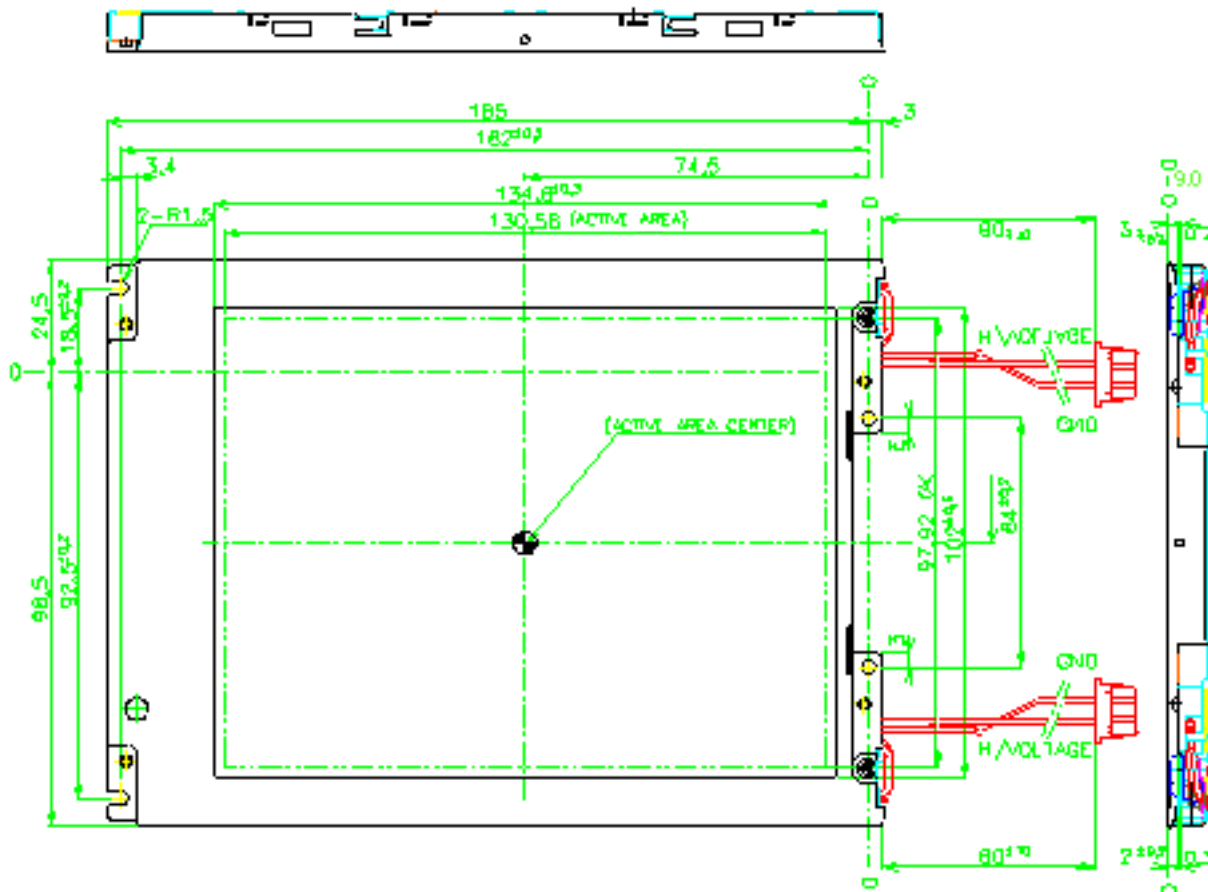
Here $V_i(t)$, $V_{DD}(t)$ indicate the transitive state of V_i , V_{DD} when power supply is turned ON or OFF

- Notes :
1. Please avoid floating state of interface signal at invalid period.
 2. When the interface signal is invalid, be sure to pull down the power supply for LCD V_{DD} to 0V.

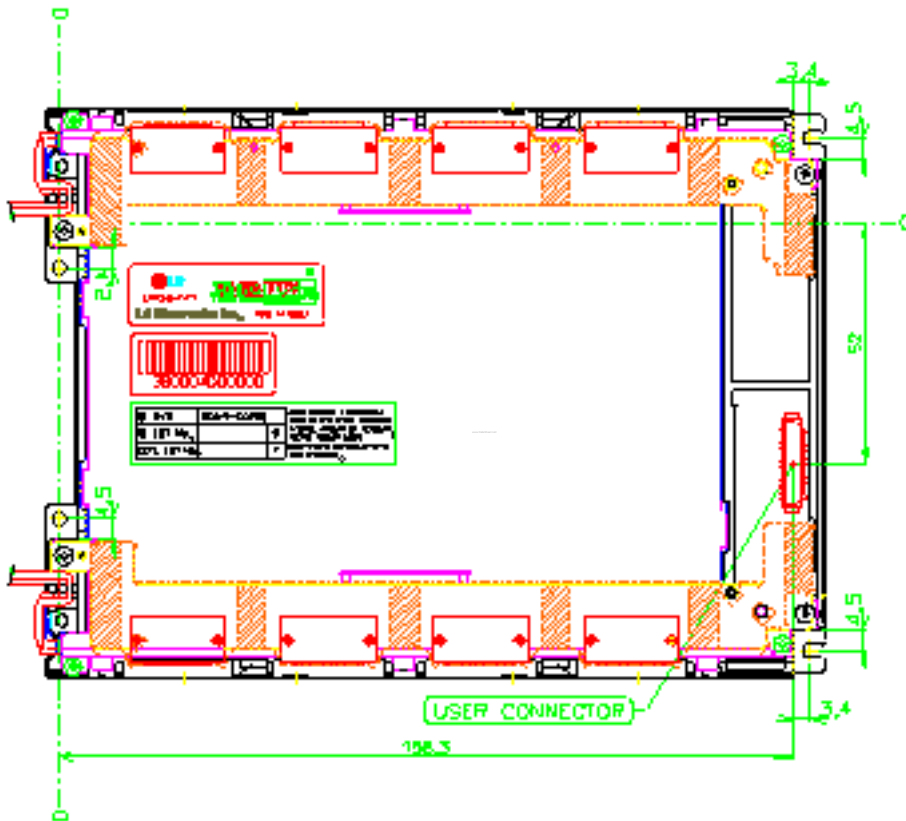
10. Mechanical Characteristics

The chart below provides general mechanical characteristics for the model LP064V1-F LCD. The surface of the LCD has an anti-glare coating to minimize reflection and a 2H hard coating to reduce scratching. In addition, the figure below is a detailed mechanical drawing of the LCD. Note that dimension are given for reference purposes only.

Outside dimensions	Width	168 mm
	Height	123 mm
	Thickness	9.0 mm
Active Display area	Width	130.56 mm
	Height	97.92 mm
	Diagonal	163.2 mm
Weight (approximate)		230 g Typ.



Product Specification



11. Reliability

No.	Test Item	Conditions
Temperature	High temperature storage test	Ta = 60 °C 240h
	Low temperature storage test	Ta = -20 °C 240h
	High temperature operation test	Ta = 50 °C 50%RH 240h
	Low temperature operation test	Ta = 0 °C 240h
Vibration	Non-operating	Sine wave: 1.5G zero-to-peak 10 ~ 500, 0.5 octave/minute 10 ~ 500 ~ 10Hz : one sweep 3 axis, (22.58 min) Random vibration : 0.025g ² /Hz, 10 ~ 500Hz X, Y, Z each direction 3.5g (0.25G) 1 Hr/each direction, total 3 hours
Shock	Non-operating	Half sine wave, 180G, 2ms, one shock of each 6 faces (I.e. run 180G 2ms for all six faces)
Altitude	Operating	0 - 10,000 feet (3048m)
	Storage/Shipment	0 - 40,000 feet (12192m)

{Result Evaluation Criteria}

There should be no change which might affect the practical display function when the display quality test is conducted under normal operating condition.

In High temperature and low temperature operation test, lamp current should be 6 mA.

12. International Standards (TBD)

12.1. Safety

UL1950 "Safety of Information Technology Equipment Including Electrical Business Equipment. Third Edition" Underwriters Laboratories, Inc. 1995

CAS C22.2 "Safety of Information Technology Equipment Including Electrical Business Equipment.

Third Edition" Canadian Standards Association, 1995

EN 60950 "Safety of Information Technology Equipment Including Electrical Business Equipment." European Committee for Electro technical Standardization(CENELEC), 1995

Ref. No. EN 60950: 1992 + A1: 1993 + A2: 1993 + A3: 1995 E

(IEC 950: 1991 + A1: 1992 + A2: 1993 + A3: 1995, modified)

12.2. EMC

ANSI C63.4 "Methods of Measurement of Radio-Noise Emissions from Low-Voltage Electrical and Electronic Equipment in the Range of 9kHz to 40GHz."

American National Standards Institute(ANSI),1992.

C.I.S P.R "Limits and Methods of Measurement of Radio Interference Characteristics of D.Information

Technology Equipment."International Special Committee on Radio Interference

EN 55 022 "Limits and Methods of Measurement of Radio Interference Characteristics of Information Technology Equipment."European Committee for Electro technical Standardization (CENELEC),1988

13. Designation of Lot Mark

a) Lot mark		b) Month (A & B)		c) Glass Size (K)	
A	Month	Jan.	AB	6.4"	6
B	Month	Feb.	CD	10.4"	1
C	Day	Mar.	EF	12.1"	2
D	Day	Apr.	GH	15.1"	5
E	Year	May	IJ	18.1"	8
F	Serial Number	Jun.	KL	d) Modification (L & M)	
G	Serial Number	Jul.	MN	LE (250)	LE
I	Serial Number	Aug.	OP	T (300)	Tx
J	Serial Number	Sep.	QR	F (500)	Fx
K	Glass Size ID	Oct.	ST	S (700)	Sx
L	Modification ID	Nov.	UV	e) Front Polarizer (N)	
M	Modification ID	Dec.	WX	A/R	A
N	Front Polarizer ID			Non-A/R	x

14. Packing Form

a) Package quantity in the box : 20 units

b) Box size : 386 x 371 x 258mm

15. Handling Precautions

Please pay attention to the followings when you use this TFT-LCD module with backlight unit.

15.1.MOUNTING PRECAUTION

- 1) You must mount the module using the mounting holes arranged in 4 corners. Be sure to turn off the power when connecting or disconnecting the circuit.
- 2) Note that the polarizers can be easily damaged. Pay attention not to scratch or press this surface with any hard or sharp objects.
- 3) When the LCD surface become dirty, please wipe it off with a soft material. (ie.cottonball)
- 4) Protect the module from the ESD as it may damage the electric circuit (C_MOS). Make certain that treatment person's body are grounded through wrist bend.
- 5) Do not disassemble the module and be careful not to incur a mechanical shock that might occur during installation. It may cause permanent damage.
- 6) Do not expose the module to high temperatures, particularly in areas of high humidity.
- 7) The module are not be exposed to the direct sunlight.
- 8) Avoid contact with water as it may cause a short circuit within the module.

15.2. OPERATING PRECAUTION

- 1) The spike noise causes the mis-operation of circuits. Be lower the spike noise as follows :

$$VDD=\pm 200mV, V1=\pm 200mV(\text{Over and under shoot voltage.})$$

- 2) Response time depends on the temperature. (In lower temperature, it becomes longer.)
- 3) Brightness depends on the temperature. (In lower temperature, it becomes lower.) And in lower temperature, response time (Required time that brightness is stable after turn on) becomes longer.
- 4) Be careful for condensation at suddern temperature change. Condensation can cause damage to polarizer or electrical contact part. And after fading condensation, smear or spot will occur.
- 5) When fixed pattern are displayed at long times, remnant image is likely to occur.
- 6) Module has high frequency circuit. If you need to shield the electromagnetic noise. please do in yours.
- 7) When Backlight unit is operating, it sounds. If you need to shield the noise, please do in yours.

15.3 ELECTROSTATIC DISCHARGE CONTROL

Since the module is composed of electronic circuits, it is weak against electrostatic discharge. Make certain that treatment persons are connected to ground through list band etc.. And don't touch the I/F pin directly.

15.4 PRECAUTION FOR STRONG LIGHT EXPOSURE.

Strong light exposure causes degradation of the polarizer and the color filter.

15.5 STORAGE

When storing the module as spares for a long time, the following precautions are necessary.

- 1) Store them in a dark place : do not expose them to direct sunlight or fluorescent light. Keep the temperature between 5 and 35 degrees at normal humidity.
- 2) The polarizer surface should not come in contact with any hard or sharp object. It is recommended that they be stored in the container in which they were shipped.

15.6 HANDLING PRECAUTIONS FOR PROTECTION FILM

- 1) When the protection film is peeled off, static electricity is generated between the film and the polarizer. This film should be peeled off slowly and carefully by people who are electrically grounded and with well ion-blown equipment.
- 2) The protection film is attached to the polarizer with a small amount of glue. If some stress is applied to rub the protection film against the polarizer during the time you peel off the film, the glue is apt to remain on the polarizer. So please carefully peel off the protection film without rubbing it against the polarizer.
- 3) When the module with protection film attached is stored for long time, there may remain a small amount of glue from the protection film. Please refrain from storing the modules at the high temperature and high humidity for glue is apt to remain in these conditions.
- 4) The glue may be taken for the modules failure, but you can remove the glue easily. When the glue remains on the polarizer surface or its vestige is recognized, please wipe them off with absorbent cotton waste or other soft material like chamois soaked with Normal-hexane.

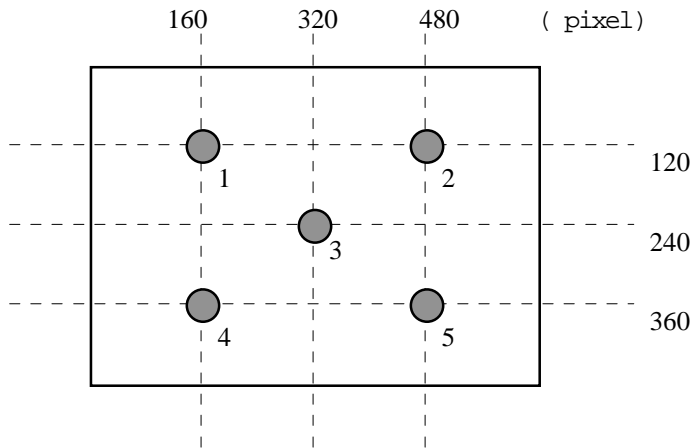
15.7 SAFETY

- 1) If the module is broken, be careful when handling. (TFT-LCD and lamp are made of glass) Please wash hands sufficiently when you touch the liquid crystal coming out from broken LCDs.
- 2) Because of the electric circuits inside the module, it's possible that the circuits can be shorted causing smoke or fire. Please design the circuit of your instrument not to flow the electric current to TFT-LCD module more than 500mA. (by apply the fuse for example)
- 3) As Backlight unit has high voltage circuit internal, do not open the case and do not insert foreign materials in the case.

Product Specification

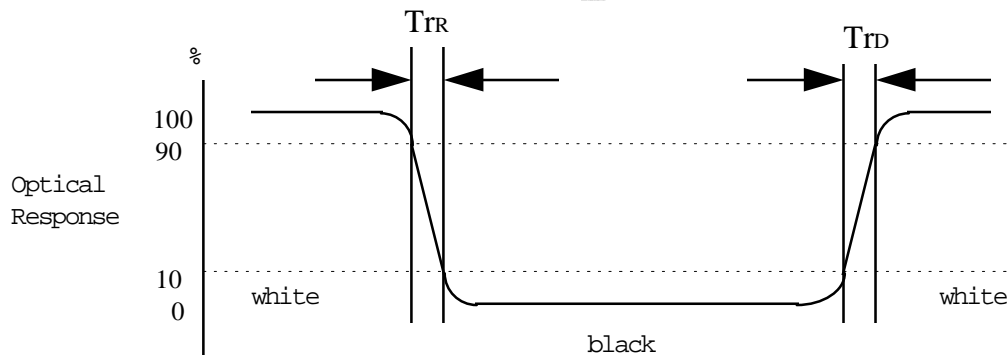
A-1 Brightness

<measuring point>



A-2 RESPONSE TIME

The response time is defined as the following figure and shall be measured by switching the input signal for “black” and “white”.



Product Specification

A-3 Viewing angle

<Definition of viewing angle range>

