



FCIconnect.com

Copyright FCI

D X X S 3 3 E 6 X X [] L F

SERIES

NO.OF CONTACTS

09,15,25,37

TYPE OF CONTACTS

S-SOCKET

TYPE OF TERMINATION

33-ANGLED SPILL

PITCH 2.84 USA

FOOT PRINT 8.08 USA

HEIGHT OF TERMINATION

E-2.00mm COMPATIBLE FOR 1.6mm PCB

RoHS INFORMATIONS

"This LF product meets European Union Directives and other country regulations as described in GS-22-008"

The housing will withstand exposure to 260°C peak temperature for 30 seconds in a convection,infra-red or vapor reflow oven solder application.

Packaging as per GS-14-920

PRODUCT SPECIFICATION

See :- GS-12-433

PACKAGING SPECIFICATION

See :- GS-14-1139

SEE NOTE RoHS

PACKAGING SPECIFICATION

- 12 - HEAT SEALING TAPE & REEL PACKAGING
- 09 - TRAY PACKAGING
- 132 - PRESSURE SEALING TAPE & REEL PACKAGING

MOUNTING OPTIONS

- RV-> LIF METAL PEG +F.SCREW LOCK UNC 4 40+METAL BRACKET
- RL-> LIF METAL PEG+ INSERT M3+METAL BRACKET
- RX-> LIF METAL PEG + INSERT UNC 4-40 +METAL BRACKET

PLATING

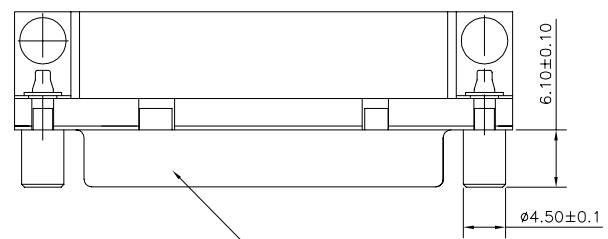
- 6 :> 500 Mating/Un-mating performance
- 4 :> 200 Mating/Un-mating performance

mat'l. code SEE.TECH.SPEC				surface ISO 1302 <input checked="" type="checkbox"/> ISO 406 <input type="checkbox"/> ISO 1101 <input type="checkbox"/>		tolerance tolerances unless otherwise specified		projection 		product family DELTA-D				
ltr	ecn no	dr	date	angles	linear			MM		title DELTA-D A/S FEMALE PIP CONNECTOR US VERSION				
A	107-0167	AS	2007-12-04											
B	108-0175	AS	2009-01-14											
C	109-0130	AS	2009-07-08					scale -						
D	109-0162	AS	2009-08-17	dr	ANISH.SALAM	2007-12-04				dwg no		sheet 1 of 2	size	
E	111-0052	RPK	2011-03-17	enrg	ANISH.SALAM	2009-08-17				C-DD-0100				A3
				chr	ANISH.SALAM	2009-08-17				type		Product	Customer	Drawing
sheet index	revision sheet	D	D	E										
		1	2	2										

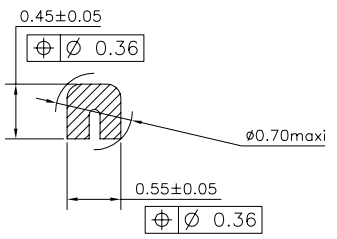


FCIconnect.com

Copyright FCI

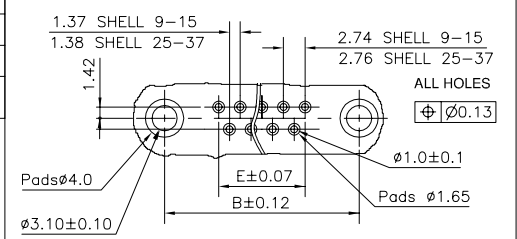


PART NUMBER AND DATE CODE MARKING

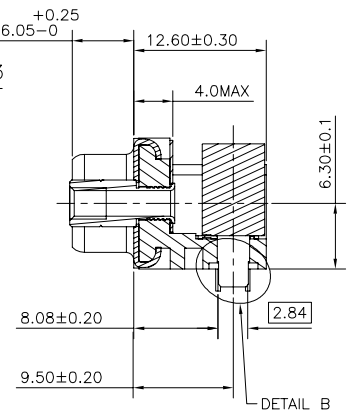
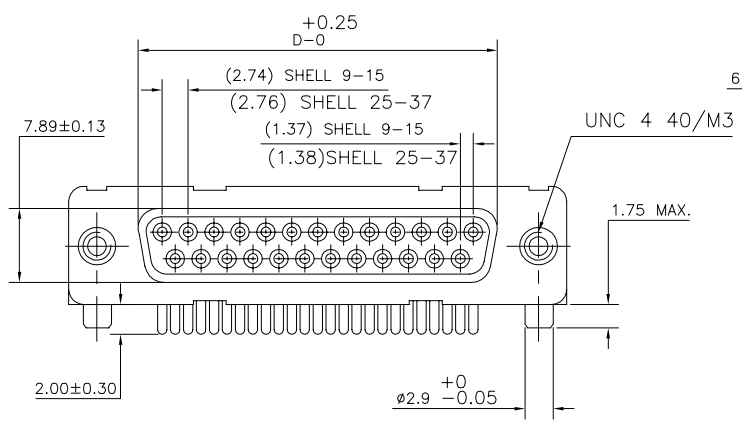


SECTION A-A

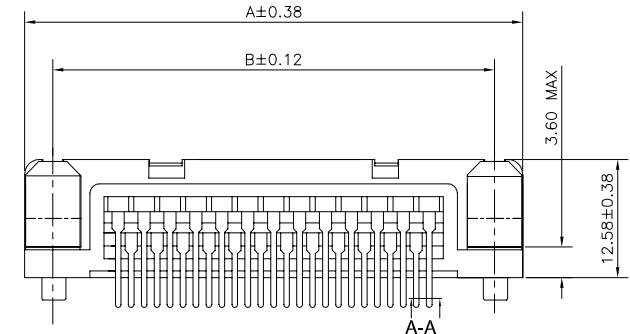
37	69.32	63.50	54.71	49.68
25	53.03	47.04	38.25	33.12
15	39.14	33.32	24.54	19.18
09	30.81	24.99	16.21	10.96
SHELL	A	B	D	E



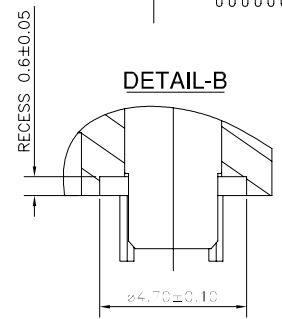
PCB DRILLING & RECOMMENDED PAD DETAILS
(AFTER PLATING - THICKNESS 1.60MM)



DETAIL B



A-A

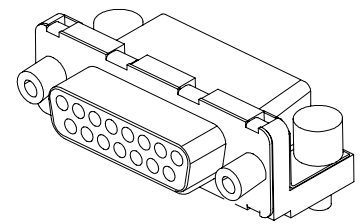


DETAIL-B

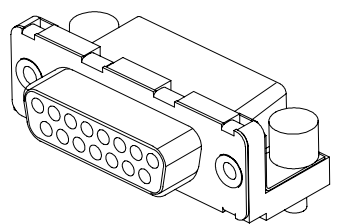
TRUE POSITIONING : Ø 0.36

ACCESSORIES DETAILS

RV VERSION



RX/RL VERSION



mat'l. code		SEE.TECH.SPEC		surface		tolerance		projection		product family	
				ISO 1302		ISO 406 ISO 1101		MM		DELTA-D	
ltr		ecn no		date		tolerances unless otherwise specified		MM		title	
A		107-0167		AS 2007-12-04				MM		DELTA-D A/S FEMALE PIP CONNECTOR	
B		108-0175		AS 2009-01-16				MM		US VERSION	
C		109-0130		AS 2009-07-08		0°±1°		MM		dwg no	
D		109-0162		AS 2009-08-17		dr		MM		sheet 2 of 2	
E		111-0052		RPK 2011-03-17		enr		MM		size	
						chr		MM		A3	
						appd		MM		type	
								MM		Product Customer Drawing	
sheet		revision		D		D		E			
index		sheet		1		2		2			



PDM: Rev:E

STATUS:Released

Printed: Mar 31, 2011