

Silicon NPN Power Transistors

BU2527A

DESCRIPTION

- With TO-3PN package
- High voltage
- High speed switching

APPLICATIONS

- For use in horizontal deflection circuits of high resolution monitors.

PINNING

PIN	DESCRIPTION
1	Base
2	Collector
3	Emitter

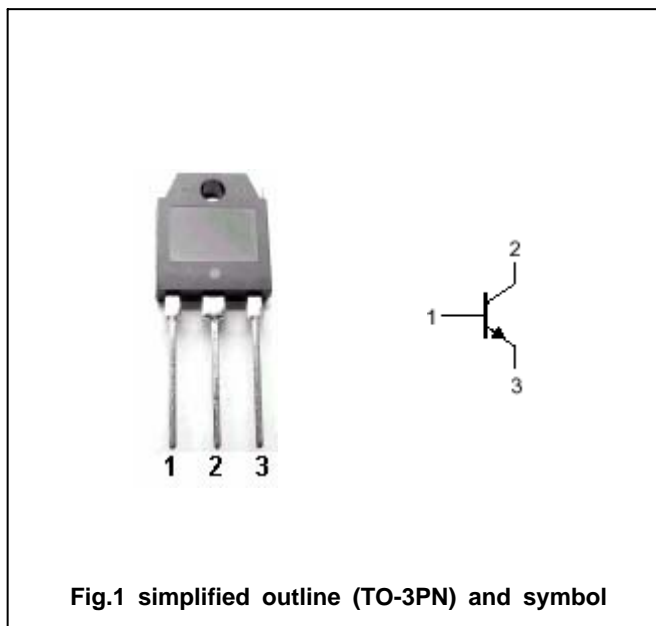


Fig.1 simplified outline (TO-3PN) and symbol

Absolute maximum ratings(Ta=25)

SYMBOL	PARAMETER	CONDITIONS	VALUE	UNIT
V _{CBO}	Collector-base voltage	Open emitter	1500	V
V _{CEO}	Collector-emitter voltage	Open base	800	V
I _C	Collector current (DC)		12	A
I _{CM}	Collector current-peak		30	A
I _B	Base current (DC)		8	A
I _{BM}	Base current -peak		12	A
P _{tot}	Total power dissipation	T _C =25	125	W
T _j	Junction temperature		150	
T _{stg}	Storage temperature		-65~150	

Silicon NPN Power Transistors

BU2527A

CHARACTERISTICS

T_j=25 unless otherwise specified

SYMBOL	PARAMETER	CONDITIONS	MIN	TYP.	MAX	UNIT
V _{CEO(SUS)}	Collector-emitter sustaining voltage	I _C =100mA ; I _B =0, L=25mH	800			V
V _{(BR)EBO}	Emitter-base breakdown voltage	I _E =1mA ; I _C =0	7.5	13.5		V
V _{CEsat}	Collector-emitter saturation voltage	I _C =6A ; I _B =1.2A			5.0	V
V _{BEsat}	Base-emitter saturation voltage	I _C =6A ; I _B =1.2A			1.3	V
I _{CES}	Collector cut-off current	V _{CE} =BV _{CES} ; V _{BE} =0 T _j =125			0.25 2.0	mA
I _{EBO}	Emitter cut-off current	V _{EB} =7.5V; I _C =0			0.25	mA
h _{FE-1}	DC current gain	I _C =1A ; V _{CE} =5V	6	10	21	
h _{FE-2}	DC current gain	I _C =6A ; V _{CE} =5V	5	7	9	
C _C	Collector capacitance	V _{CB} =10V; I _E =0; f=1.0MHz		145		pF

Silicon NPN Power Transistors

BU2527A

PACKAGE OUTLINE

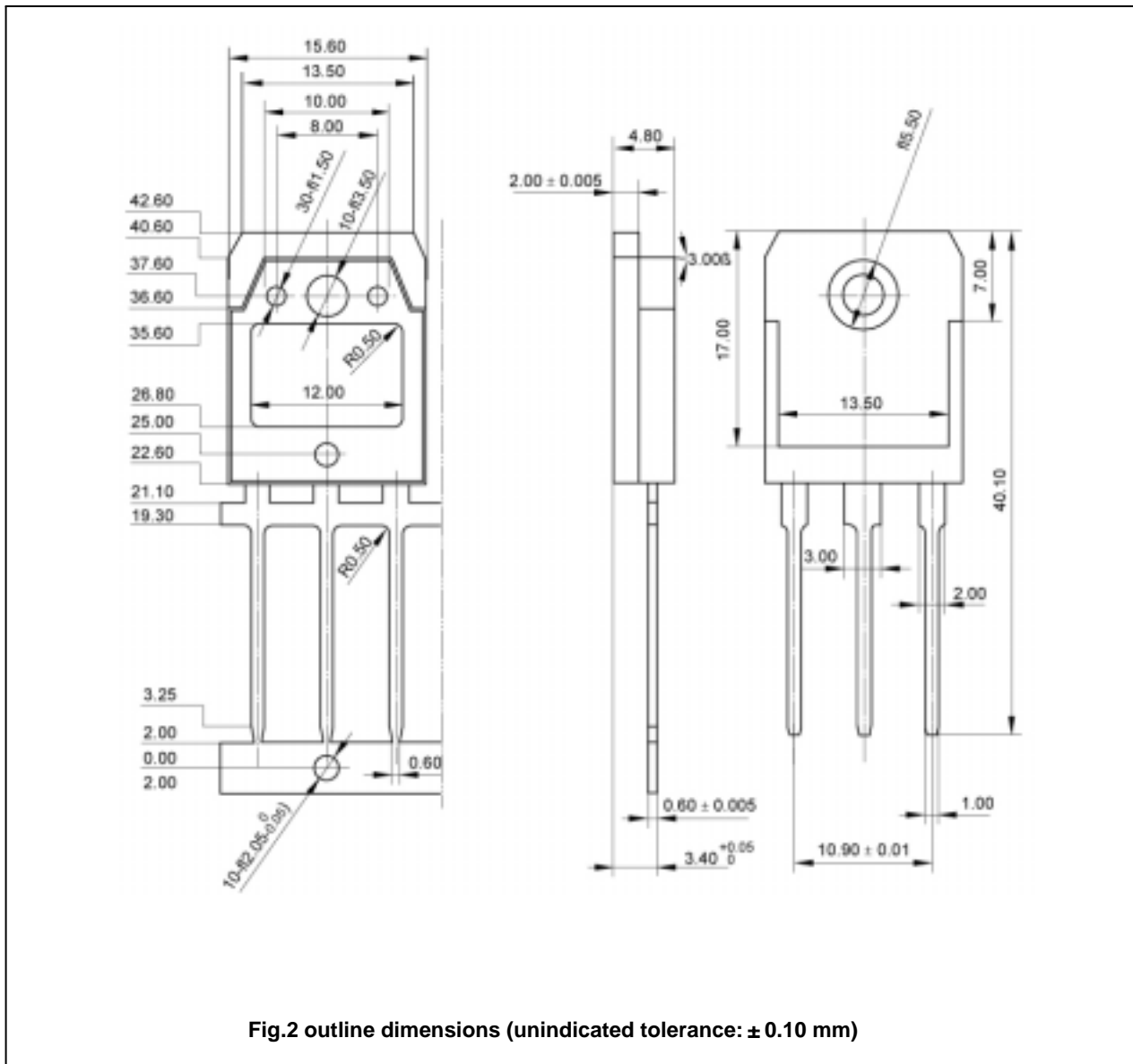


Fig.2 outline dimensions (unindicated tolerance: ± 0.10 mm)