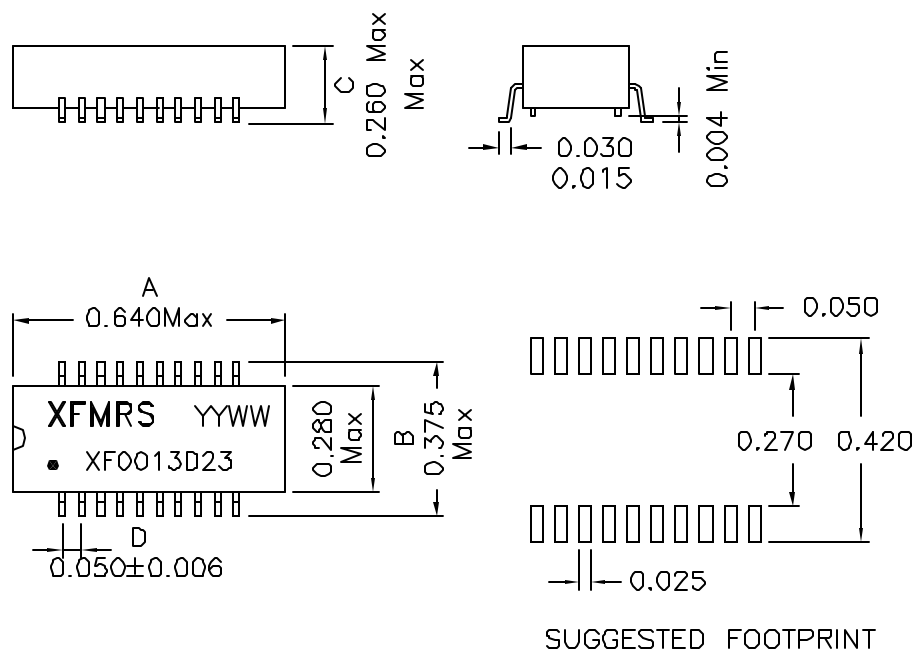
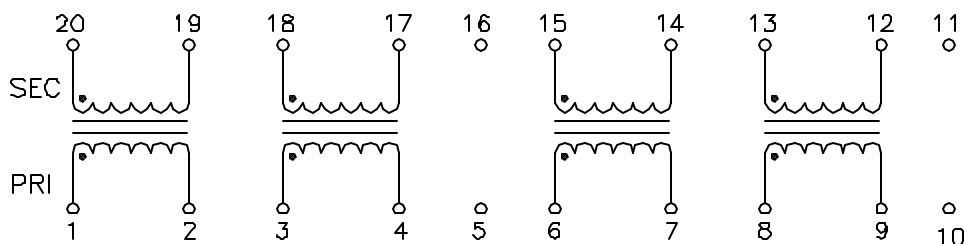


1. Mechanical Dimensions:



2. Schematic:



DOC REV: A/6

3. Electrical Specifications @25°C

Turns Ratio: 1:2 ±2% (PRI:SEC)
 PRI OCL: 1.2mH Typ @100KHz 50mV
 PRI/SEC Cw/w: 35pF Maximum @100KHz 50mV
 PRI LL: 0.50uH Max @100KHz 50mV, SEC Shorted
 PRI DCR: 0.80 Ohms Max
 SEC DCR: 1.2 Ohms Max
 HYPOT: 1500Vrms

Notes:

1. Solderability: Leads shall meet MIL-STD-202, Method 208D for solderability.
2. Flammability: UL94V-0
3. ASTM oxygen index: > 28%
4. Insulation System: Class F 155°C, UL file E151556
5. Operating Temperature Range: All listed parameters are to be within tolerance from -40°C to +85°C
6. Storage Temperature Range: -55°C to +125°C
7. Aqueous wash compatible
8. SMD Lead Coplanarity: ±0.004" (0.102mm)
9. Moisture Sensitivity: Level 3
10. Electrical and mechanical specifications 100% tested
11. RoHS Compliant Component

XFMRS Inc. www.XFMRS.com	Title: DUAL T1/E1		
	UNLESS OTHERWISE SPECIFIED	P/N: XFO013D23	REV. A
TOLERANCES: .xxx ±0.010	DWN.	罗振江	Jan-10-05
Dimensions in INCH	CHK.	廖玉坤	Jan-10-05
SHEET 1 OF 1	APP.	J Ng	Jan-10-05